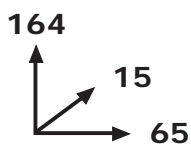
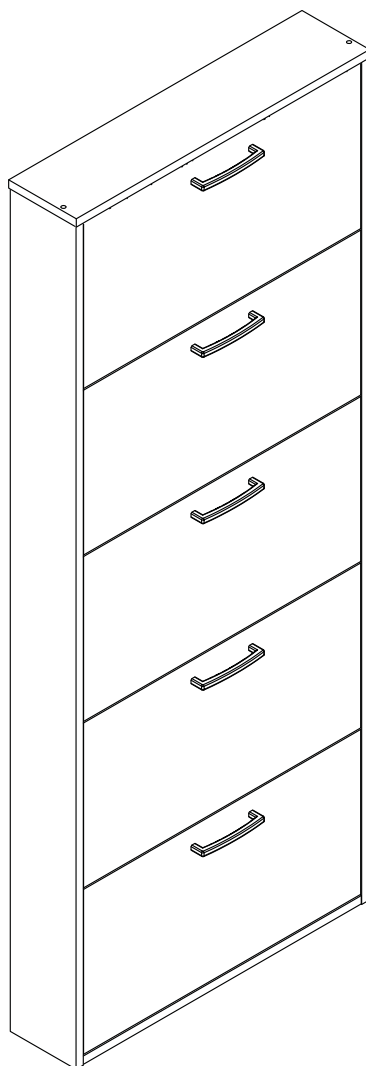
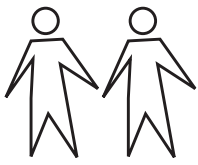


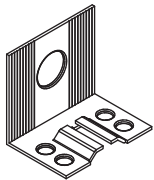
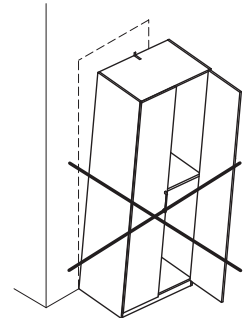
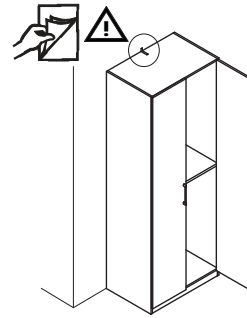
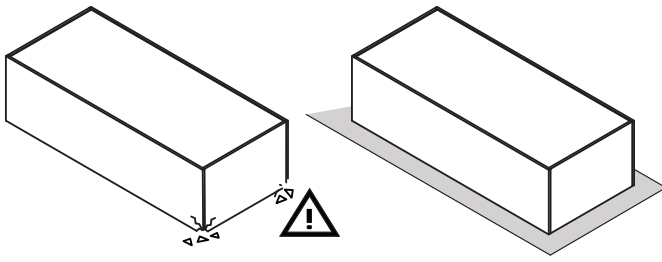
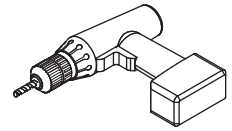
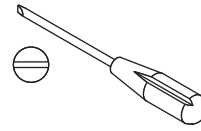
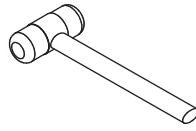
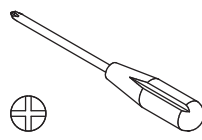
SC1307K50106



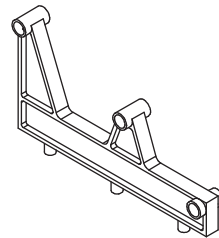
QF4466



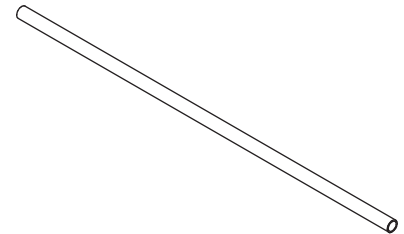
1,5h



H16
x1

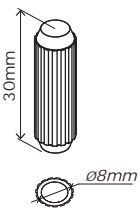


W2
x10



W435
x15

BU3666



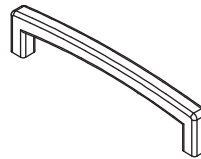
H1
x4



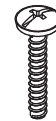
G41
x2



H106
x1



M72
x5



V25
x10



R18
x10



R28
x10



T7
x2



T28
x2



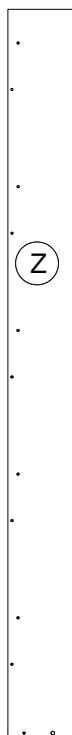
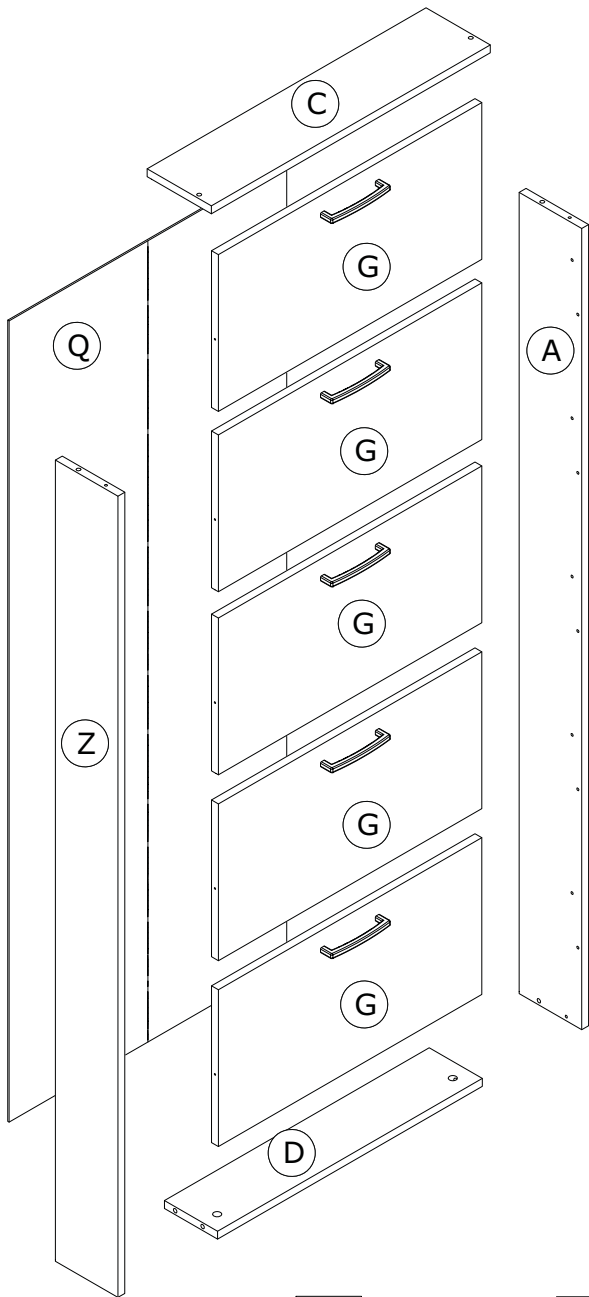
V10
x2



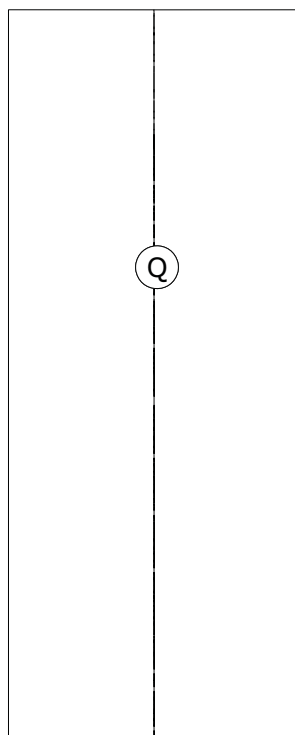
H15
x36



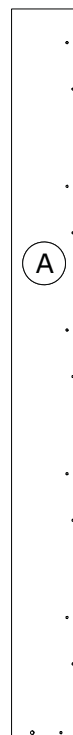
V45
x2



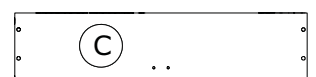
FI7831
1620x146x16mm



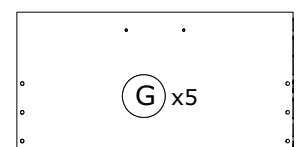
SH0721
1620x648x3mm



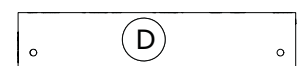
FI7830
1620x146x16mm



CA3215
651x150x16mm

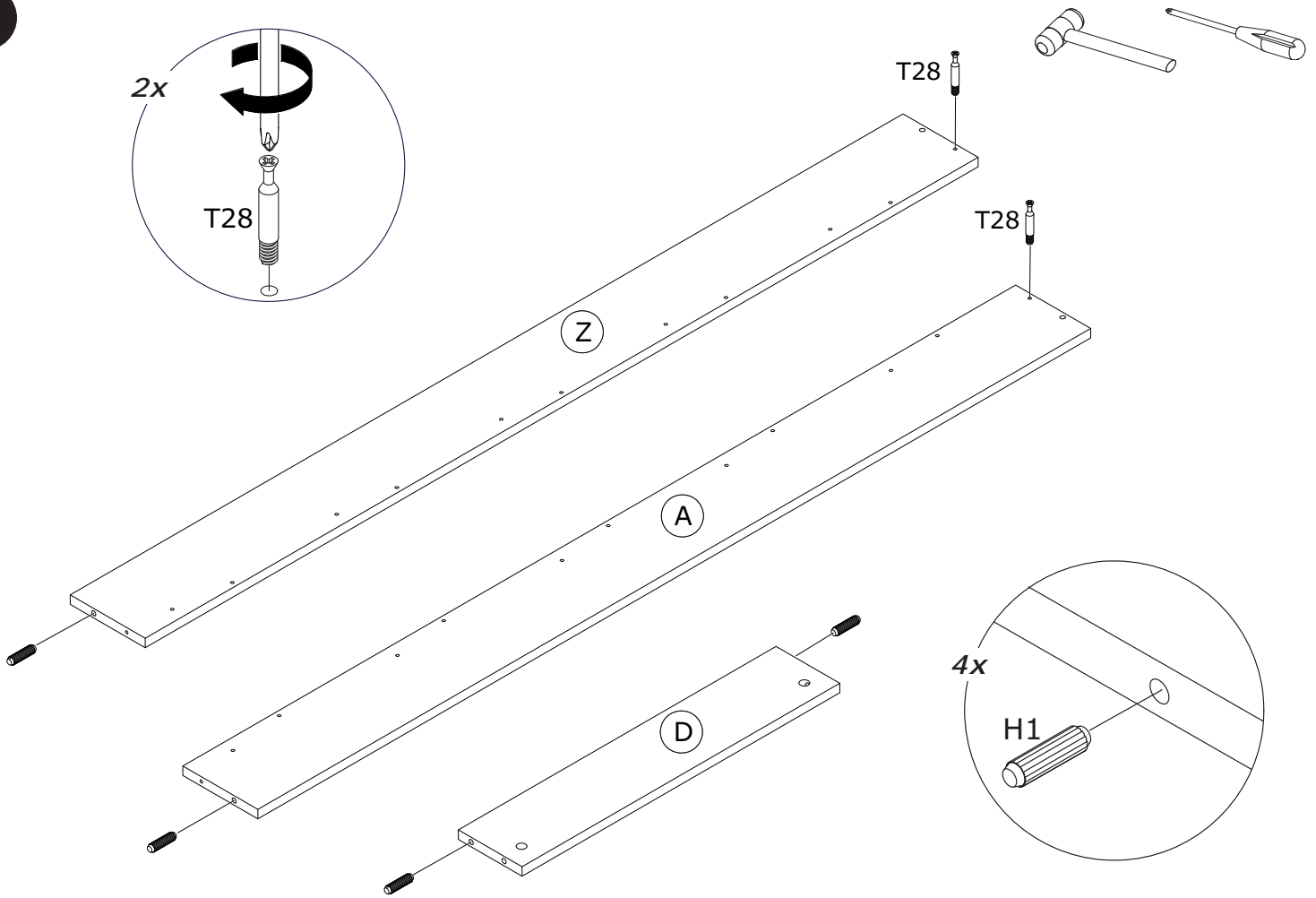


RI0381
615x317x16mm

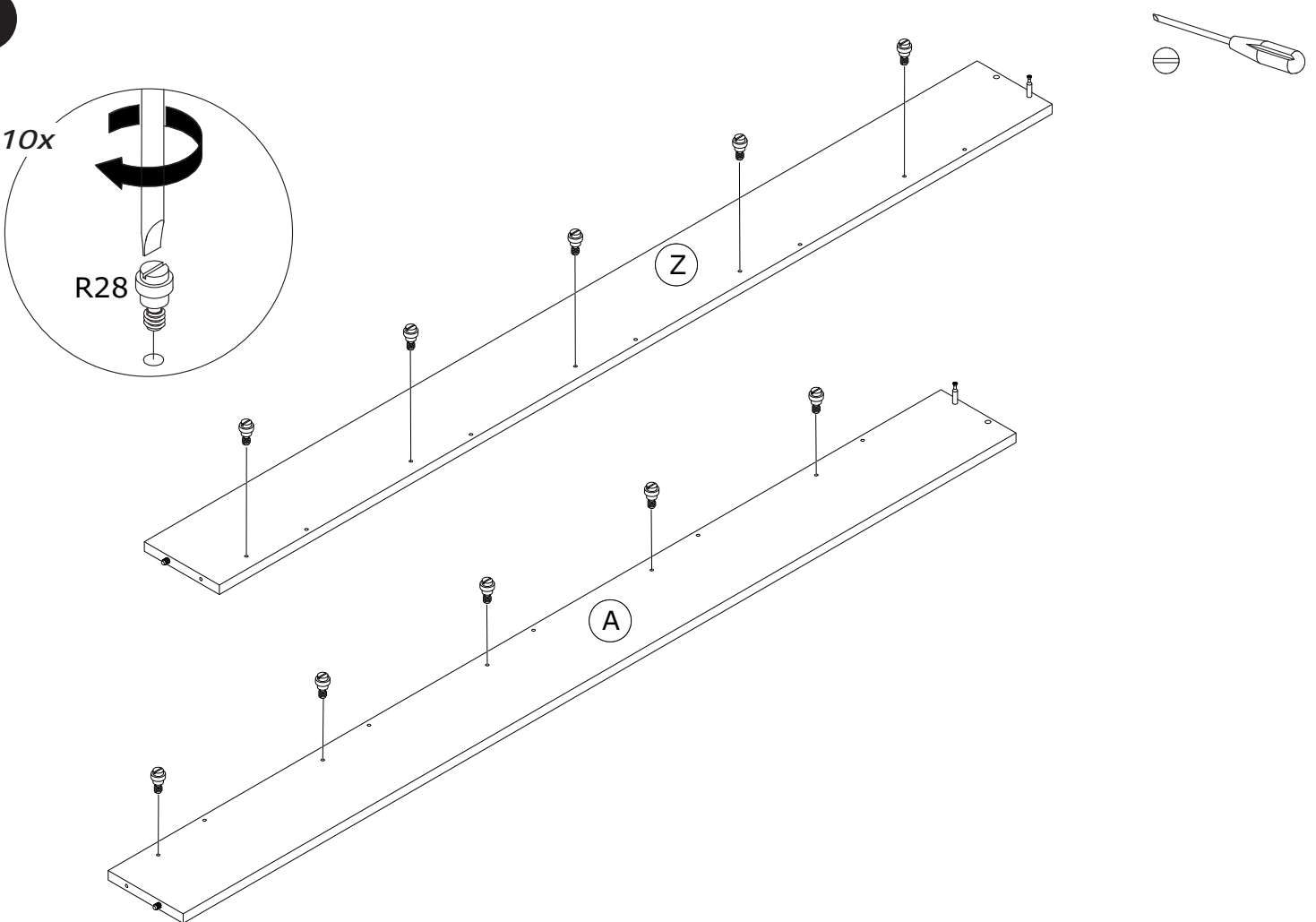


BA1955
618x124x16mm

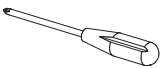
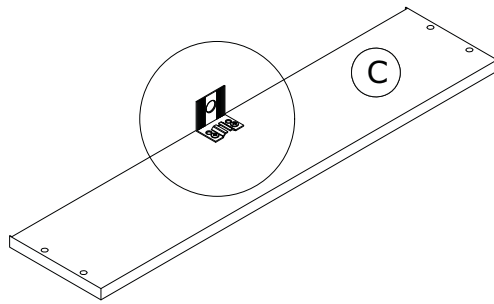
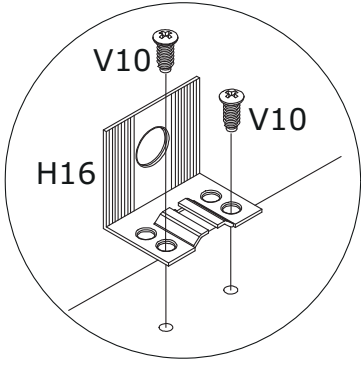
1



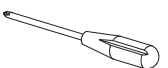
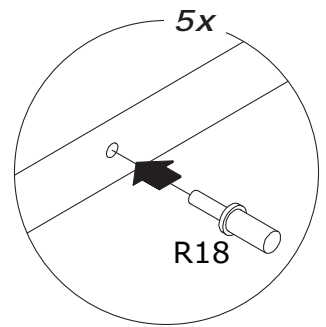
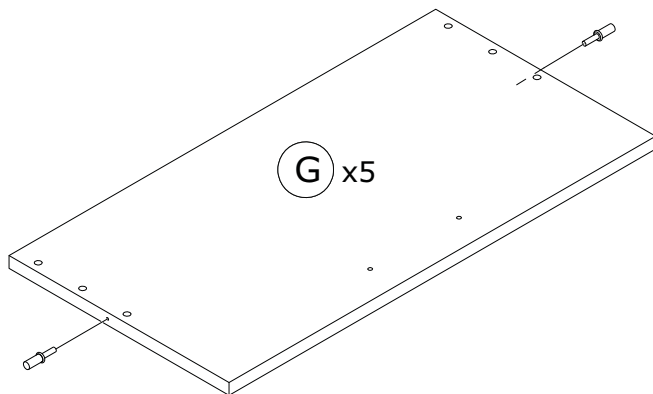
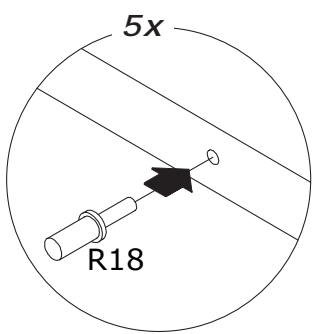
2



3

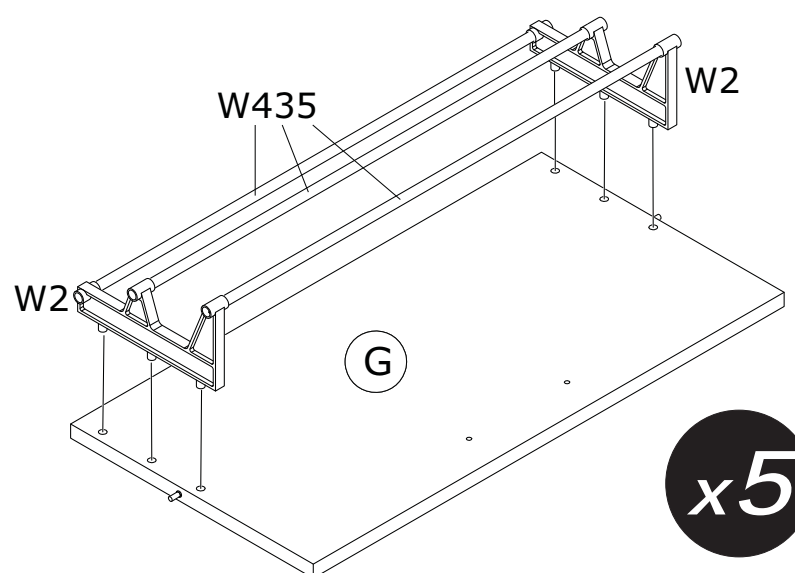
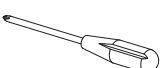
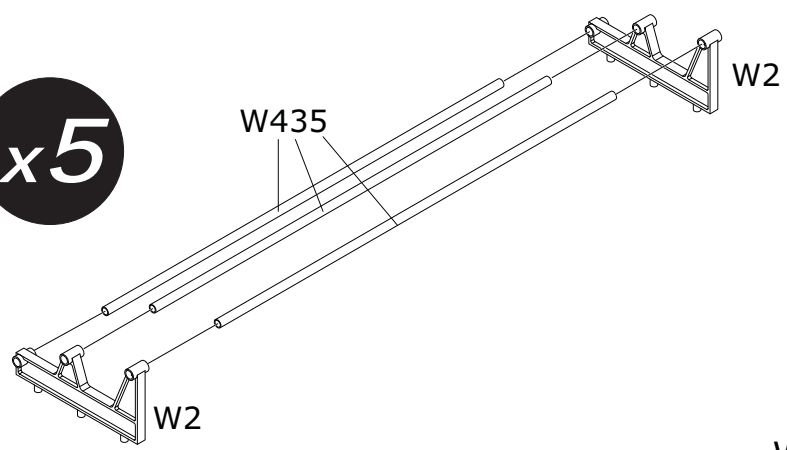


4

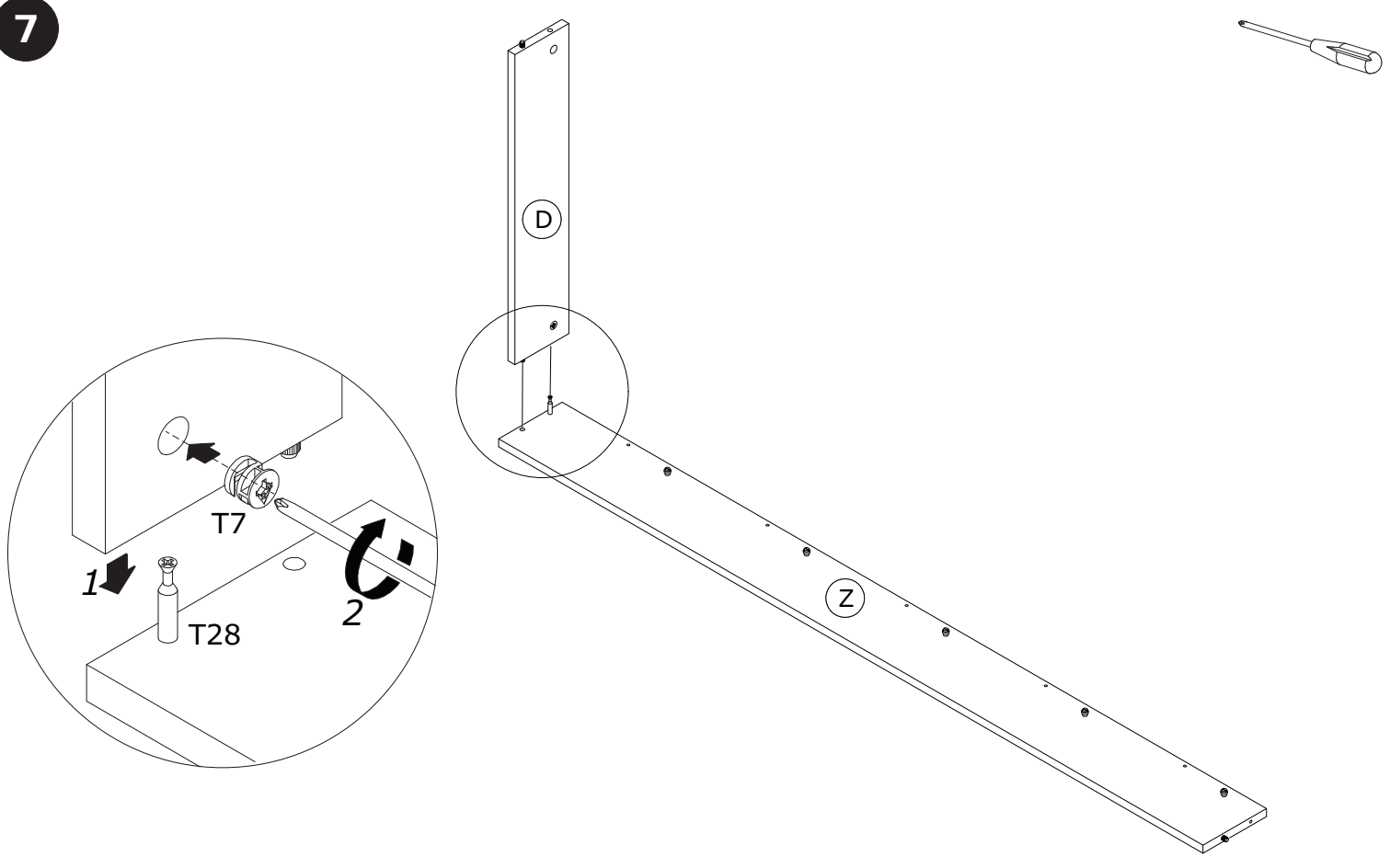


6

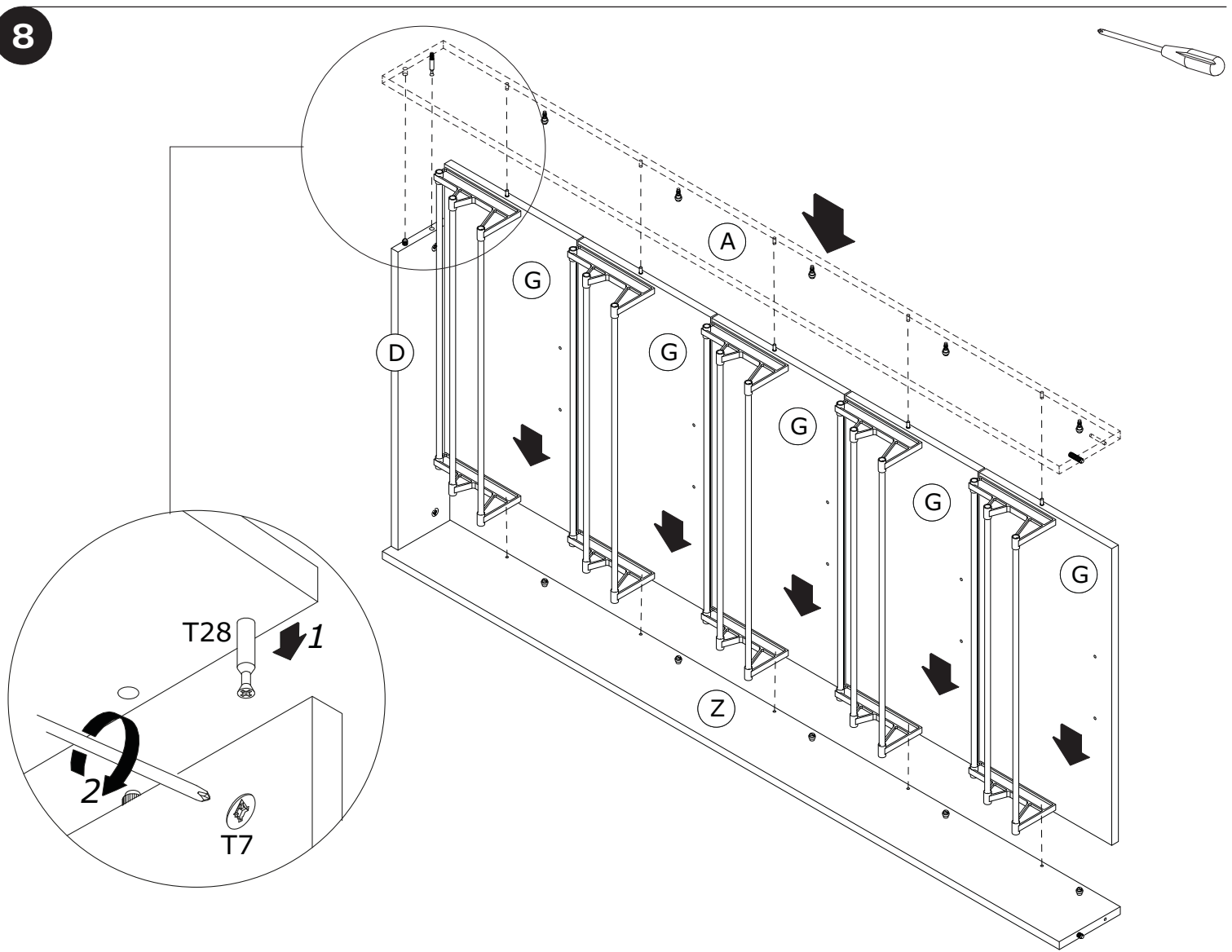
x5



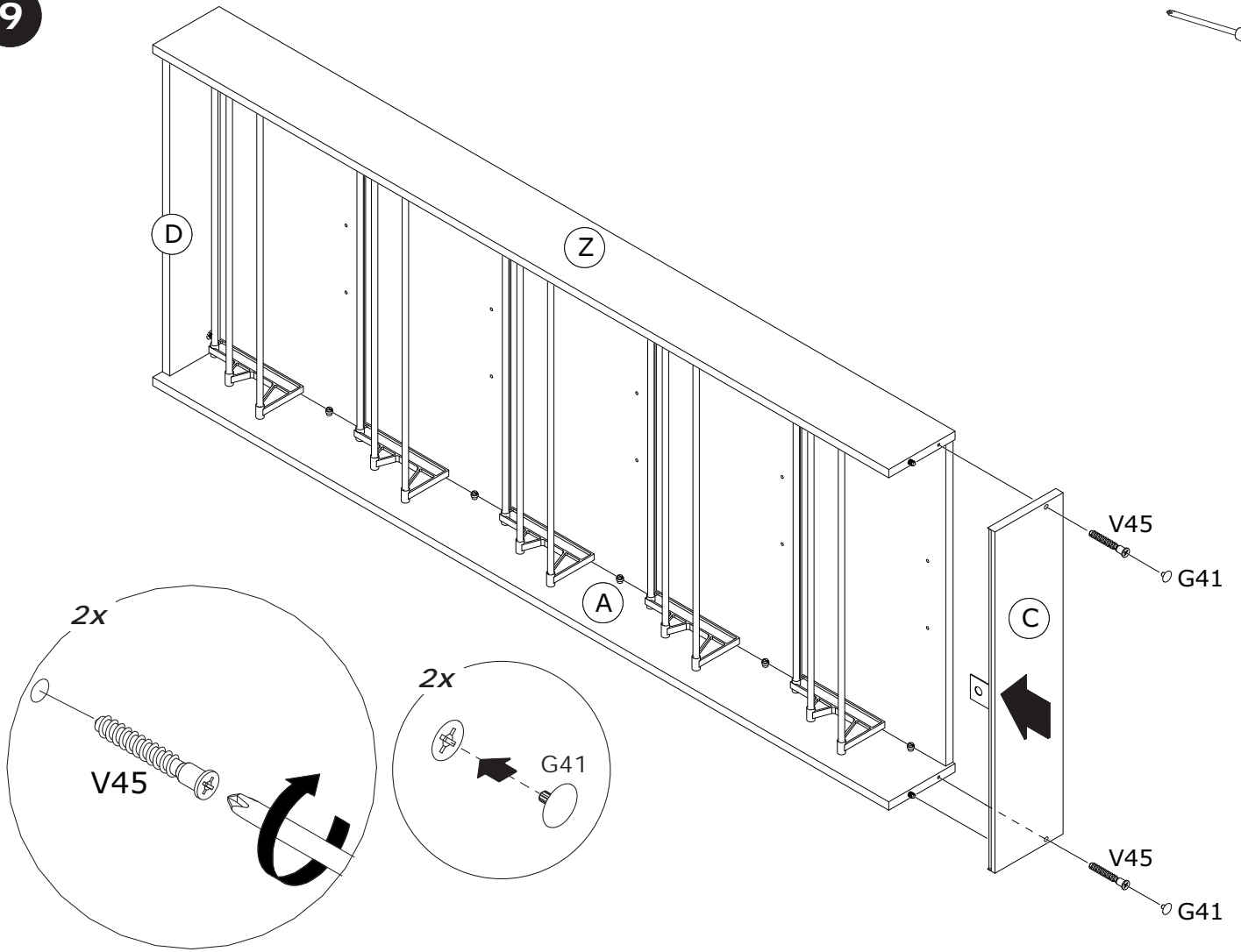
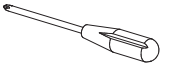
7



8



9



10

