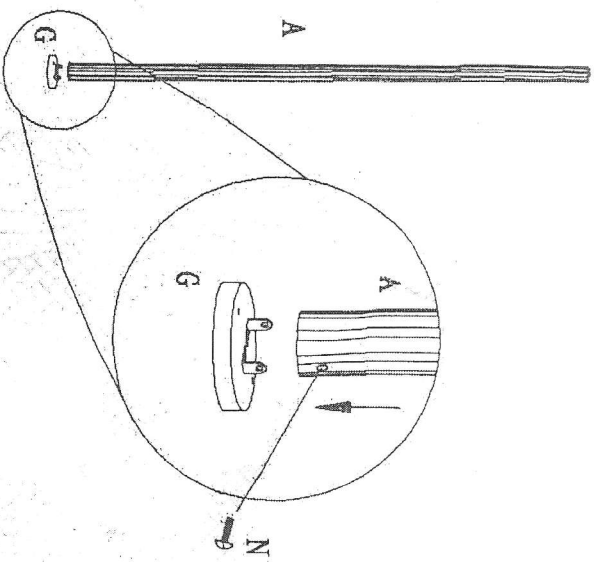
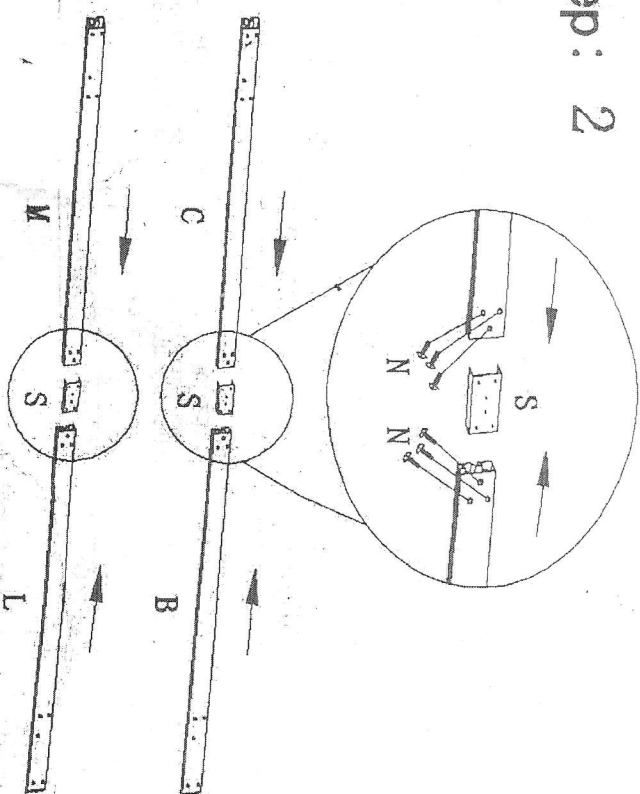


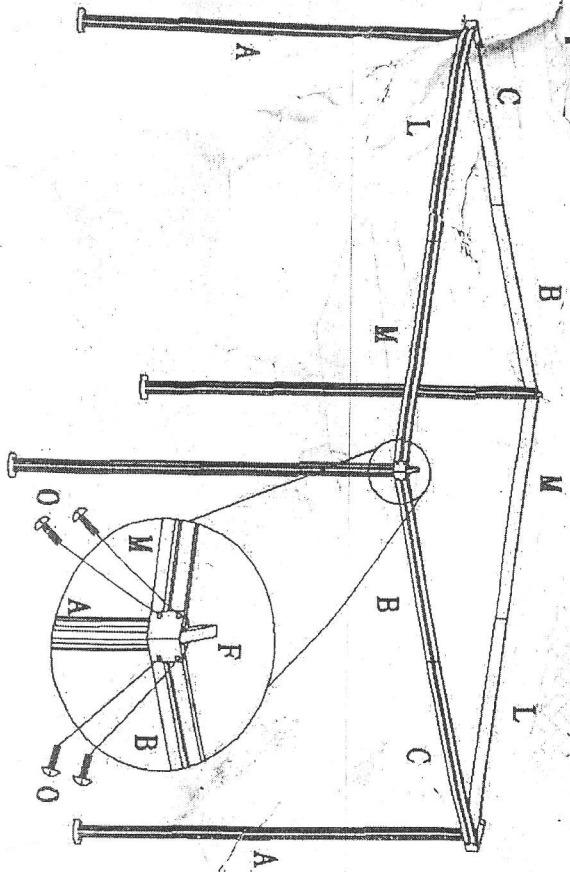
Step: 1



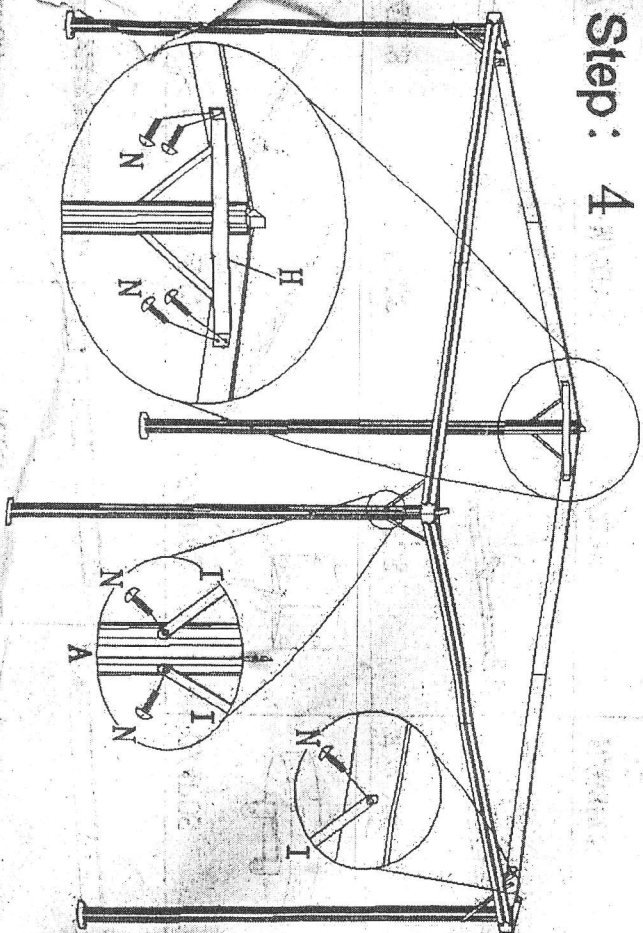
Step: 2



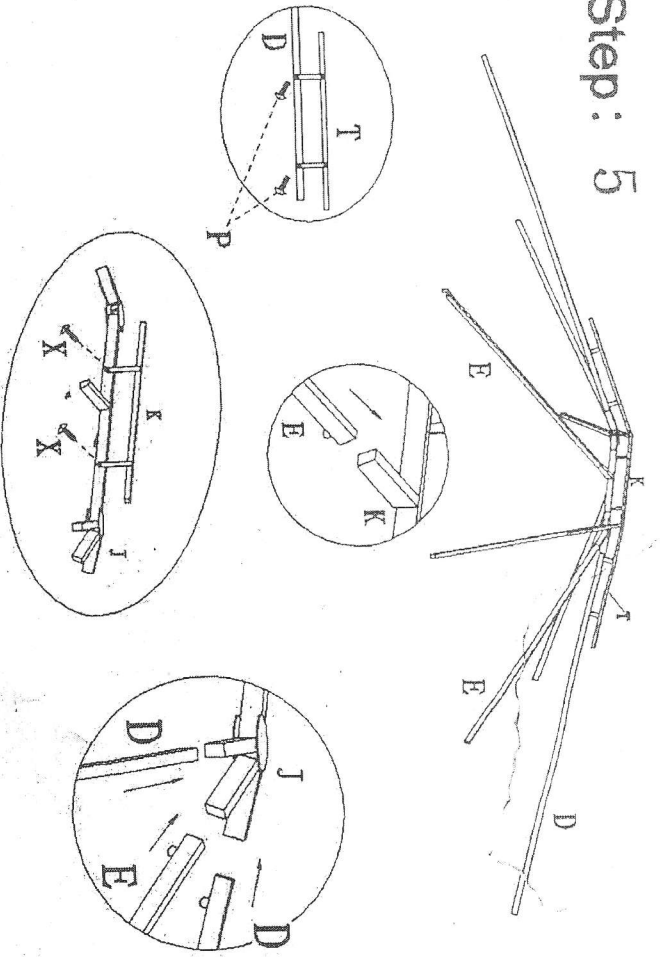
Step: 3



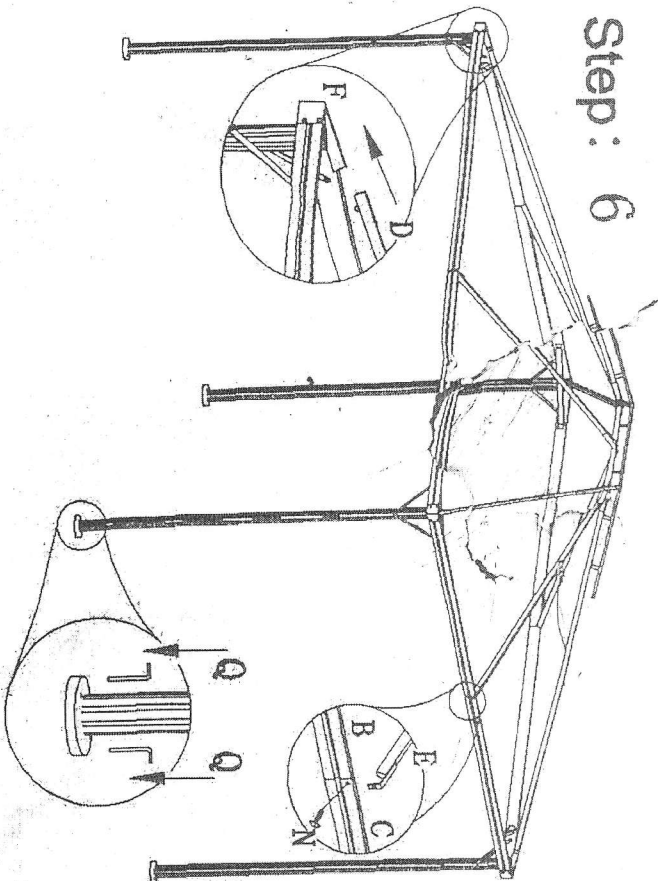
Step: 4



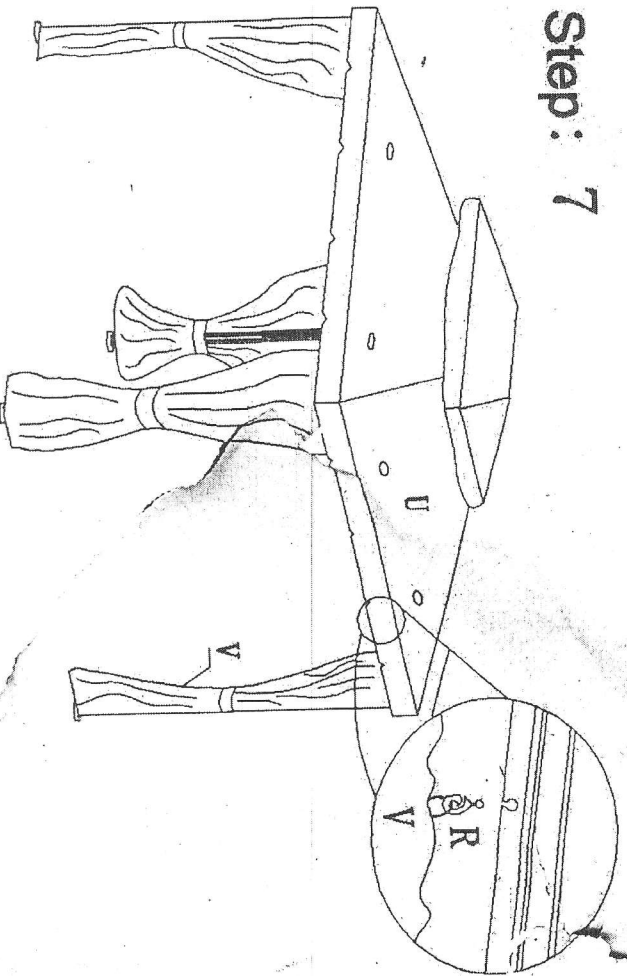
Step: 5



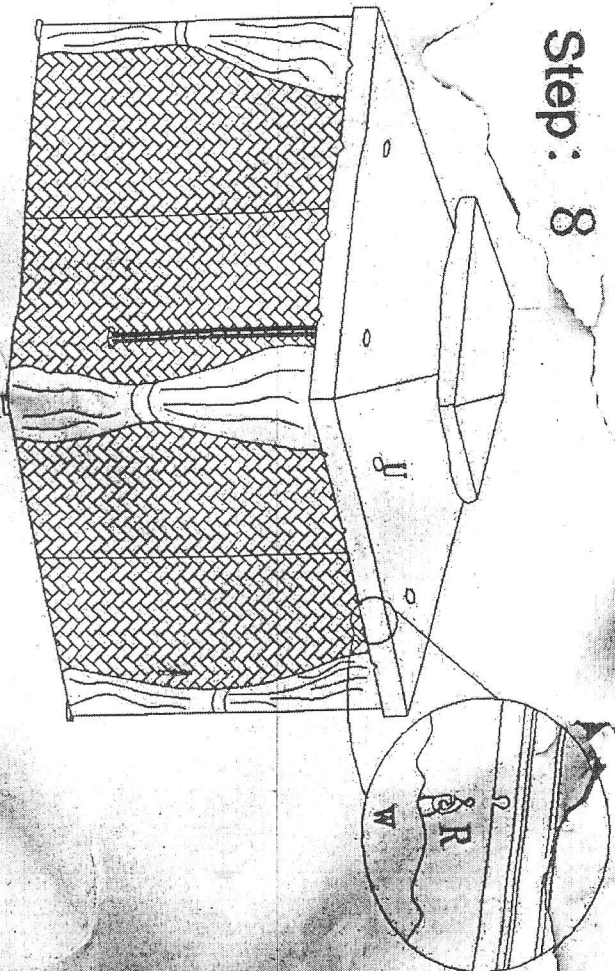
Step: 6

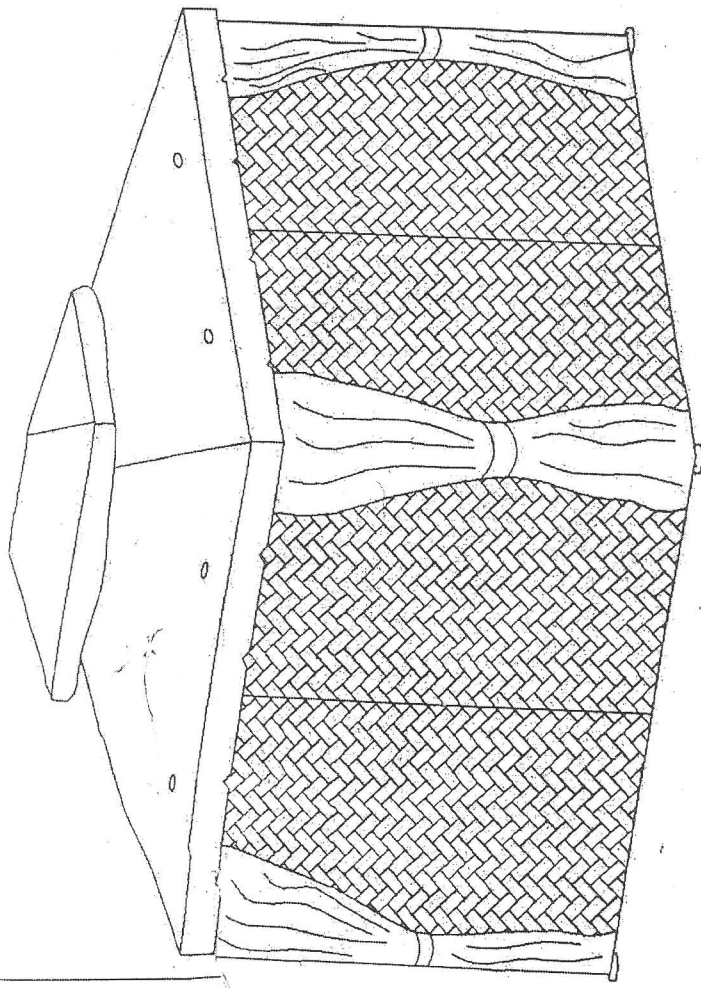







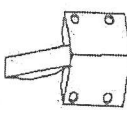


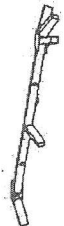




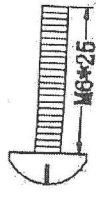

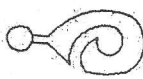
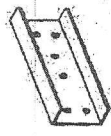

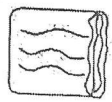
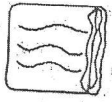
Step: 7



Step: 8





A/4PCS 	B/2PCS 	C/2PCS 
D/4PCS 	E/4PCS 	F/4PCS 
H/4PCS 	I/8PCS 	J/1PCS 
L/2PCS 	M/2PCS 	X/2PCS 
O/16PCS 	P/8PCS 	Q/8PCS 
R/80PCS 	S/4PCS 	T/4PCS 
U/1PCS 	V/4PCS 	W/4PCS 