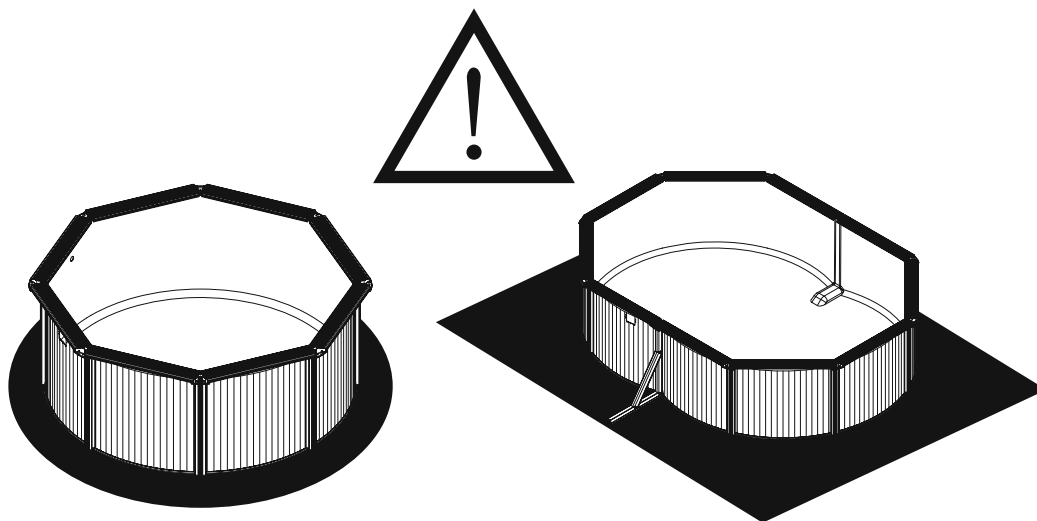


Bestway®

www.bestwaycorp.com
Visit Bestway YouTube channel





Attention!

Before setting up your pool ensure your selected location is completely firm and level. Assemble the pool on the provided ground cloth.

Achtung!

Vergewissern Sie sich, dass der gewählte Untergrund absolut fest und eben ist, bevor Sie den Pool aufbauen. Montieren Sie den Pool auf dem mitgelieferten Bodentuch.

Attenzione!

Prima di montare la piscina, accertarsi che il luogo scelto per l'installazione sia compatto e in piano. Assemblare la piscina sul telo in dotazione.

Внимание!

Прежде чем устанавливать бассейн, убедитесь, что выбранное вами место твердое и совершенно ровное. Сборку бассейна выполняйте на земле на подложке, входящей в комплект.

Beakta följande!

Innan du sätter upp din pool måste du försäkra dig om att platsen är fullständigt fast och jämn. Montera ihop den på det tillhandahållna markskyddet.

Atenção!

Antes de montar a sua piscina certifique-se que a localização que seleccionou está completamente firme e nivelada. Monte a piscina sobre o pano de pavimento fornecido.

Huomaa!

Varmista ennen uima-altaan asentamista, että altaan alusta on täysin tasainen ja luja. Kokoa allas toimitukseen sisältyvän pohjakankaan päälle.

Attention!

Avant de monter votre piscine, assurez-vous que l'emplacement choisi est parfaitement ferme et plat. Assemblez la piscine sur le tapis de sol fourni.

Ważne!

Przed złożeniem basenu upewnij się, że podłoże jest twarde i równe. Basen montuj na dołączonej do zestawu płachcie.

¡Atención!

Antes de instalar la piscina asegúrese de que la ubicación elegida esté nivelada. Monte la piscina sobre la esterilla de suelo incluida.

Aandacht!

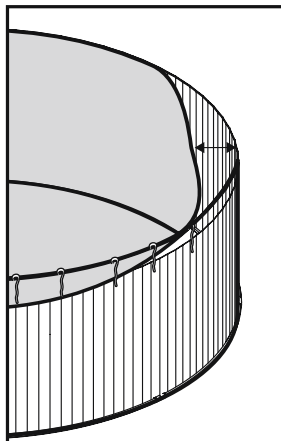
Verzeker u, alvorens uw zwembad te monteren, dat de door u gekozen plaats volledig vlak en stevig is. Monteer het zwembad op het meegeleverde grondzeil.

ΠΡΟΣΟΧΉ!

ΠΡΙΝ ΣΤΉΣΕΤΕ ΤΗΝ ΠΙΣΊΝΑ ΣΑΣ, ΒΕΒΑΙΩΘΕΊΤΕ ΌΤΙ Η ΘΉΣΗ ΠΟΥ ΕΠΙΛΕΞΑΤΕ ΕΊΝΑΙ ΣΤΉΡΕΗ ΚΑΙ ΕΠΊΠΕΔΗ. ΣΥΝΑΡΜΟΛΟΓΉΣΤΕ ΤΗΝ ΠΙΣΊΝΑ ΠΆΝΩ ΣΤΟ ΠΑΡΕΧΌΜΕΝΟ ΓΕΩΎΦΑΣΜΑ.

Figyelem!

A medence felállítása előtt győződjön meg arról, hogy a kiválasztott helyszín megfelelő keménységű és vízszintes felszínű. Szerelje össze a medencét a mellékelt talajtakaró textilen.



NOTE: The liner of the steel wall pool is designed to be smaller than the steel wall for technical reasons. If you find it difficult to assemble the liner, place the liner under the sun for one hour which will make it more pliable. You should then be able to assemble the liner step by step, stretching it by hand at the same time. This procedure will not damage the liner.

NOTA: O forro da piscina de parede em aço está concebido para ser mais pequeno do que a parede em aço por motivos técnicos. Se sentir dificuldade em montar o forro, coloque-o ao sol durante uma hora, o que o irá tornar mais flexível. Depois já deverá ser capaz de montar o forro passo a passo, esticando-o manualmente ao mesmo tempo. Este procedimento não irá danificar o forro.

NOTA: Por motivos técnicos, el revestimiento interno de la piscina de pared de acero está diseñado en un tamaño menor que la pared de acero. Si le resulta difícil montar el revestimiento, sitúe el revestimiento al sol durante una hora y será más manejable. Así podrá montar el revestimiento paso a paso, estirándolo a mano simultáneamente. Este procedimiento no dañará el revestimiento.

HINWEIS: Die Innenverkleidung des Stahlwandpools ist aus technischen Gründen kleiner als die Außenwand. Wenn Sie Schwierigkeiten bei der Anbringung der Innenverkleidung haben, legen Sie diese eine Stunde lang in die Sonne, um sie biegsamer zu machen. Dann können Sie die Innenverkleidung Schritt für Schritt anbringen, indem diese von Hand gezogen wird. Dieser Vorgang beschädigt die Innenverkleidung nicht.

HUOMAA: Teräseinän vuoren on tarkoitus olla teräseinää pienempi. Tähän on teknisiä syitä. Jos vuorta on vaikeaa saada paikalleen, jätä se aurinkoon yhdeksi tunniksi. Lämmennyttä vuorta on helpompi käsitellä. Vuoren asettaminen paikoilleen tulisi onnistua tämän jälkeen vähän kerrallaan venyttämällä vuorta samalla käsin. Tämä toimenpide ei vahingoita vuorta.

OPMERKING: De bekleding van het zwembad met stalen wanden is ontworpen om kleiner te zijn dan de stalen wand omwille van technische redenen. Als u het moeilijk vindt om de bekleding te monteren, plaats de bekleding gedurende één uur onder de zon waardoor ze soepelder zal zijn. U zou dan de bekleding stap voor stap moeten kunnen monteren door deze tegelijkertijd met de hand uit te rekken. Deze procedure zal de bekleding niet beschadigen.

NOTA: Il rivestimento della piscina con pareti in acciaio è progettato per essere più piccolo delle pareti in acciaio per motivi tecnici. Se montare il rivestimento risulta difficile, posizionare il rivestimento sotto il sole per un'ora in modo che diventi più flessibile. Inoltre, montare il rivestimento passo dopo passo, tirandolo contemporaneamente con le mani. Questa procedura non danneggia il rivestimento.

REMARQUE: La bâche de la piscine à paroi en acier est conçue pour être plus petite que la paroi en acier pour des raisons techniques. Si vous avez du mal à monter la bâche, placez-la en plein soleil pendant une heure, elle sera alors plus facile à plier. Vous devriez être alors en mesure de monter la bâche pas à pas, tout en tirant dessus manuellement. Cette procédure n'abîmera pas la bâche.

ΣΗΜΕΙΩΣΗ: Η ΕΠΕΝΔΥΣΗ ΠΙΣΙΝΑΣ ΜΕ ΧΑΛΥΒΔΙΝΟ ΤΟΙΧΩΜΑ ΈΧΕΙ ΣΧΕΔΙΑΣΤΕΪ ΓΙΑ ΝΑ ΕΊΝΑΙ ΜΙΚΡΟΤΕΡΗ ΑΠΟ ΤΟ ΧΑΛΥΒΔΙΝΟ ΤΟΙΧΩΜΑ ΓΙΑ ΤΕΧΝΙΚΟΥΣ ΛΟΓΟΥΣ. ΑΝ ΔΥΣΚΟΛΕΥΤΕΊΤΕ ΝΑ ΣΥΝΑΡΜΟΛΟΓΗΣΕΤΕ ΤΗΝ ΕΠΕΝΔΥΣΗ, ΤΟΠΟΘΕΤΗΣΤΕ ΤΗΝ ΕΠΕΝΔΥΣΗ ΣΤΟΝ ΉΛΙΟ ΓΙΑ ΜΙΑ ΩΡΑ, ΚΑΤΙ ΠΟΥ ΘΑ ΤΗΝ ΚΑΤΑΣΤΗΣΕΙ ΠΙΟ ΕΎΚΑΜΠΤΗ. ΣΤΗ ΣΥΝΕΧΕΙΑ ΘΑ ΠΡΕΠΕΙ ΝΑ ΜΠΟΡΕΣΕΤΕ ΝΑ ΣΥΝΑΡΜΟΛΟΓΗΣΕΤΕ ΤΗΝ ΕΠΕΝΔΥΣΗ ΒΉΜΑ ΠΡΟΣ ΒΉΜΑ, ΤΑΥΤΟΧΡΟΝΑ ΤΕΝΤΩΝΟΝΤΑΣ ΤΗΝ ΜΕ ΤΟ ΧΕΡΙ. ΑΥΤΗ Η ΔΙΑΔΙΚΑΣΊΑ ΔΕ ΘΑ ΠΡΟΚΑΛΉΣΕΙ ΖΗΜΊΑ ΣΤΗΝ ΕΠΕΝΔΥΣΗ.

ПРИМЕЧАНИЕ. По техническим причинам лайнер стальной стенки бассейна рассчитан так, что его размер меньше, чем стальная стенка. Если вам трудно натянуть лайнер, положите его на солнце на один час, в результате чего он станет более пластичным. После этого вы сможете постепенно установить лайнер, одновременно растягивая его руками. Эта процедура не приведет к повреждению лайнера.

UWAGA: Ze względów technicznych wkładka do stalowej ściany basenu jest mniejsza niż stalowa ściana. Jeśli wystąpią trudności w dopasowaniu wkładki, wkładkę należy wystawić na godzinę na działanie promieni słonecznych, aby stała się bardziej elastyczna. Potem należy stopniowo dopasowywać wkładkę, jednocześnie rozciągając ją za pomocą ręki. Taki sposób postępowania nie spowoduje uszkodzenia wkładki.

MEGJEGYZÉS: Az acélfalú medence bevonatát műszaki okokból az acélfalnál kisebb méretűre tervezték. Ha nehezebb esik a bevonat összeépítése, tegye ki egy órára a napra, hogy hajlíthatóbbra puhuljon. Ezt követően az anyagot kézzel nyújtva, lépésenként összeépítheti a bevonatot. Ez az eljárás nem tesz kárt a bevonatban.

OBS! Stålväggsplörens liner är utformad för att vara mindre än stålväggen av tekniska skäl. Om du tycker att det är svårt att montera linern, lägg den då i solen under en timme vilket gör den mer böjbar. Därefter bör du kunna montera linern stegvis, sträck den samtidigt för hand. Den här proceduren skadar inte linern.

HYDRIUM™ OVAL POOLS OWNER'S MANUAL



Item No.	Dimension	Kit Type	Accessories
#56586	16.4' x 12' x 48"	Aboveground swimming pool kit	<input checked="" type="checkbox"/> Filtration System <input checked="" type="checkbox"/> Ladder <input checked="" type="checkbox"/> Ground cloth
#56583	(5.00m x 3.6m x 1.2m)		
#56587			
#56369	20' x 12' x 48"	Aboveground swimming pool kit	<input checked="" type="checkbox"/> Filtration System <input checked="" type="checkbox"/> Ladder <input checked="" type="checkbox"/> Ground cloth
#56371	(6.10m x 3.6m x 1.2m)		
#56370			
#56604	24' x 12' x 48"	Aboveground swimming pool kit	<input checked="" type="checkbox"/> Filtration System <input checked="" type="checkbox"/> Ladder <input checked="" type="checkbox"/> Ground cloth
#56606	(7.40m x 3.6m x 1.2m)		

! WARNING !

Carefully read, understand, and follow all information in this user manual before installing and using the swimming pool. These warnings, instructions, and safety guidelines address some common risks of water recreation, but they cannot cover all risks and dangers in all cases. Always use caution, common sense, and good judgment when enjoying any water activity. Retain this information for future use.

Non Swimmers safety

- Continuous, active, and vigilant supervision of weak swimmers and non-swimmers by a competent adult is required at all times (remembering that children under five are at the highest risk of drowning).
- Designate a competent adult to supervise the pool each time it is being used.
- Weak swimmers or non-swimmers should wear personal protection equipment when using the pool.
- When the pool is not in use, or unsupervised, remove all toys from the swimming pool and its surrounding to avoid attracting children to the pool.

Safety devices

- In order to prevent children from drowning, it is recommended to secure the access to the pool with a protection device. In order to prevent children climbing from the inlet and outlet valve, it is recommended to install a barrier (and secure all doors and windows, where applicable) to prevent unauthorized access to the swimming pool.
- Barriers, pool covers, pool alarms, or similar safety devices are helpful aids, but they are not substitutes for continuous and competent adult supervision.

Safety equipment

- It is recommended to keep rescue equipment (e.g. a ring buoy) by the pool.
- Keep a working phone and a list of emergency phone numbers near the pool.

Safe use of the pool

- Encourage all users especially children to learn how to swim.
- Learn Basic Life Support (Cardiopulmonary Resuscitation - CPR) and refresh this knowledge regularly. This can make a life-saving difference in the event of an emergency.
- Instruct all pool users, including children, what to do in case of an emergency.
- Never dive into any shallow body of water. This can lead to serious injury or death.
- Do not use the swimming pool when using alcohol or medication that may impair your ability to safely use the pool.
- When pool covers are used, remove them completely from the water surface before entering the pool.
- Protect pool occupants from water related illnesses by keeping the pool water treated and practicing good hygiene. Consult the water treatment guidelines in the user's manual.
- Store chemicals (e.g. water treatment, cleaning or disinfection products) out of the reach of children.
- Use the signage as outlined below. Signage is to be displayed in a prominent position within 2m of the pool.

- Keep children under supervision in the aquatic environment. No diving.
- Removable ladders shall be placed on a horizontal surface.
- Irrespective of materials used for swimming pool construction, accessible surfaces have to be checked regularly to avoid injuries.
- Regularly monitor bolts and screws; splinters or any sharp edges to avoid injuries.

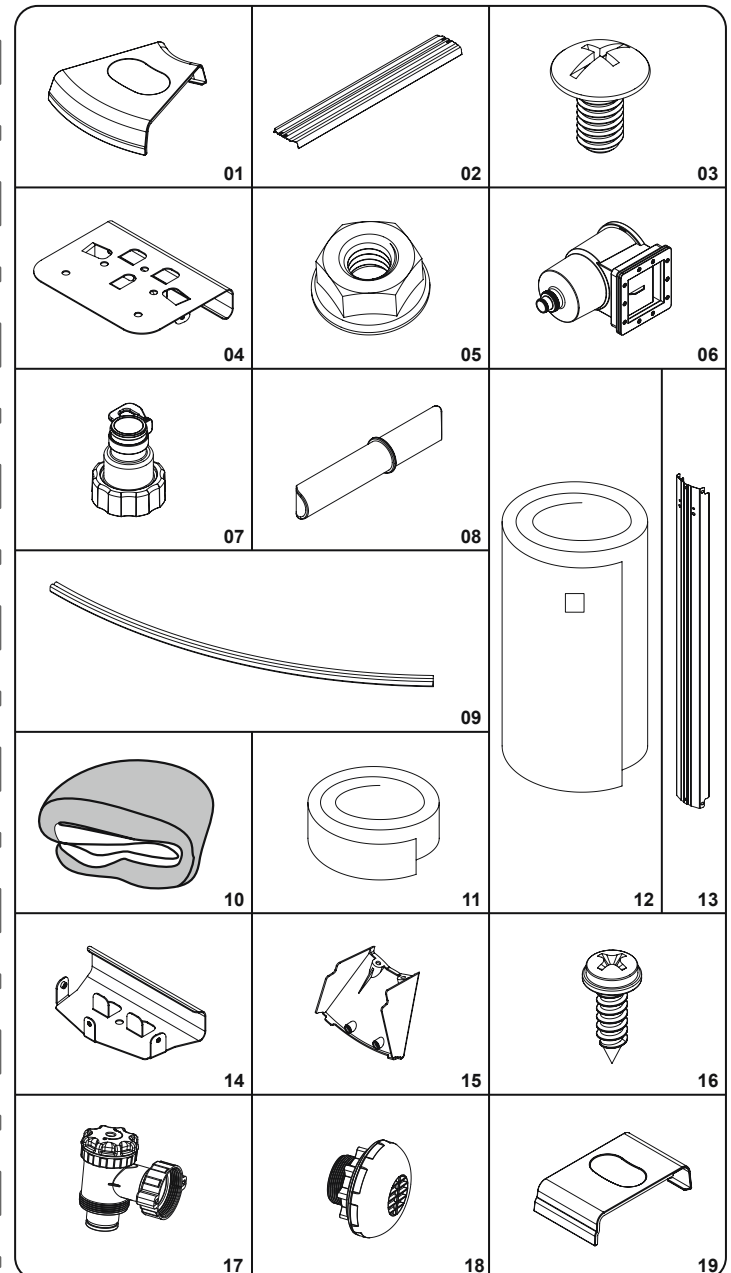
- **ATTENTION:** Do not leave the drained pool outside. The empty pool is liable to being deformed and/or displaced due to wind.
- If have a filter pump, refer to the pump's manual for instructions.
- **WARNING!** The pump cannot be used while people are inside the pool!
- If have a ladder, refer to the ladder's manual for instructions.

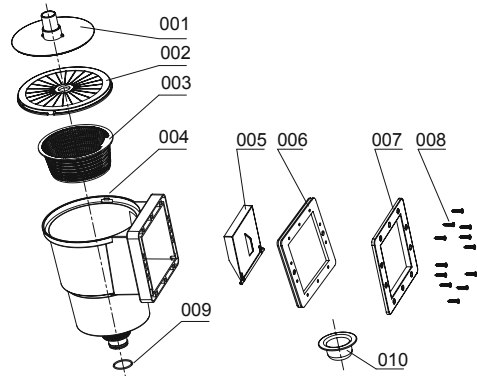
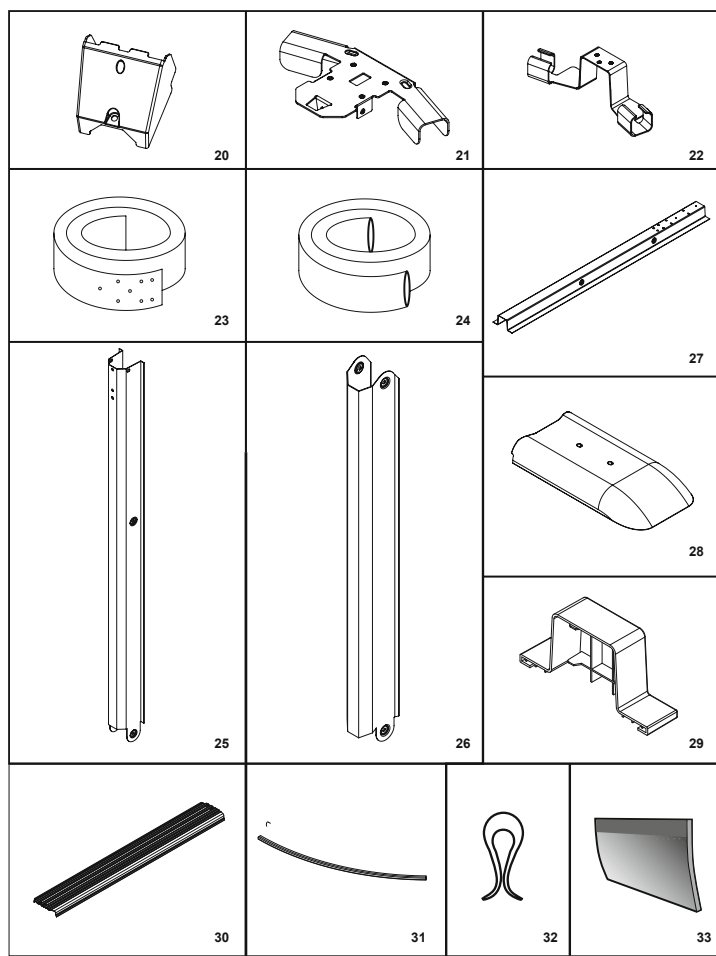
WARNING! The use of a swimming pool implies compliance with the safety instructions described in the operating and maintenance guide. In order to prevent drowning or other serious injuries, pay particular attention to the possibility of unexpected access to the swimming pool by children under 5 years by securing the access to it, and, during the bathing period, keep them under constant adult supervision.

NOTE: When installing the pool, the position of skimmer should be opposite to the main wind direction. The placement of the ladder in the pool shall be away from the skimmer.

Please read carefully and keep for future reference

Parts Reference

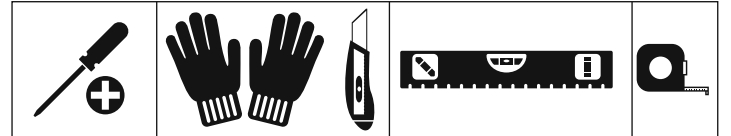




PART LIST OF SKIMMER

NO.	Name	Quantity	Spare Part No.
001	Hose attachment	1	P6774
002	Cover	1	P6991
003	Basket	1	P6776
004	Skimmer	1	P6777
005	Weir	1	P6992
006	Gasket	1	P6993
007	Face plate	1	P6780
008	M5x22 screw	12	/
009	O-ring	1	/
010	Plug	1	P6813

Tools Required (not included):



Installation usually takes approximately 3 hours with 2-3 people excluding earthworks and filling.

No.	Name	Material	16.4' x 12' x 48"		20' x 12' x 48"		24' x 12' x 48"	
			Qty	Spare Part No.	Qty	Spare Part No.	Qty	Spare Part No.
1	Upper joint protector	PP	8	P6743	8	P6743	8	P6743
2	Long top platform	Coated Steel	10	P6745	6	P6745	6	P6745
3	M6x11 bolt	Stainless Steel 304	170	P6746	214	P6746	260	P6746
4	Top metal piece	Steel	8	P6747	8	P6747	8	P6747
5	M6 nut	Stainless Steel 304	52	P6748	74	P6748	98	P6748
6	Skimmer		1	P6762	1	P6762	1	P6762
7	Hose adapter		2	F6H202	2	F6H202	2	F6H202
8	Rail connector	PP	32	P6990	32	P6990	32	P6990
9	Long Rail	PVC	20	P61236	12	P61237	12	P61237
10	Liner	PVC	1	56286ASS16	1	56369ASS16	1	56604ASS17
11	3M Self-adhesive tape		1	P6756	1	P6756	1	P6756
12	Steel wall	Coated Steel	1	P61447	1	P61448	1	P61449
13	Pool vertical support	Coated Steel	8	P6757	8	P6757	8	P6757
14	Bottom metal piece	Steel	8	P6761	8	P6761	8	P6761
15	Bottom joint protector	PP	8	P6759	8	P6759	8	P6759
16	ST4x14 screw	Stainless Steel 304	22	P61491	28	P61491	34	P61491
17	Control Valve		1	P6(H1)1229	1	P6(H1)1229	1	P6(H1)1229
18	Pool Inlet Strainer		1	P6H1317	1	P6H1317	1	P6H1317
19	Side upper joint	PP	2	P6800	4	P6800	6	P6800
20	Side bottom joint	PP	2	P6801	4	P6801	6	P6801
21	Side top metal piece	Steel	2	P6802	4	P6802	6	P6802
22	Side bottom metal piece	Steel	2	P6826	4	P6826	6	P6826
23	Steel belt	Steel	1	P6810	2	P6810	3	P6810
24	Steel belt cover	PVC	1	P6811	2	P6811	3	P6811
25	Side vertical support	Coated Steel	2	P61249	4	P61249	6	P61249
26	Side oblique support	Coated Steel	2	P61250	4	P61250	6	P61250
27	Side bottom support	Steel	2	P6827	4	P6827	6	P6827
28	Inside bottom protector	PP	2	P6828	4	P6828	6	P6828
29	Side bottom protector	PP	2	P61251	4	P61251	6	P61251
30	Short top platform	Coated Steel			6	P61234	8	P61234
31	Short Rail	PVC			12	P61238	16	P61238
32	Clips	Plastic	20		20		20	
33	Foam protector	EPE	8	P61473	8	P61473	8	P61473

SELECTING A SUITABLE LOCATION

WARNING: Leveling is extremely important.

Carefully select the location for your new pool. This is the most important decision you will have to make to ensure the safety and success of your pool's construction. A poorly-chosen location could cause problems in the future that may cause injury, death or financial loss. Read carefully the checklist below when selecting where to set up your pool.

Acceptable:

- Flat, level, firm and dry ground with easy access to all sides of the pool
- Exposed to direct sunlight, preferable in the morning
- Safe access to electricity for running the filter pump and other pool accessories
- Easy to access to a water source
- Protection from wind

Unacceptable:

- Sloping, uneven ground
- Sandy, rocky or soggy ground
- Close to wooden construction (e.g. pergolas and decking)
- Next to trees
- Overhead wires and clotheslines
- Drains, electric wires or gas pipelines underneath the site
- Poor or little drainage
- High flood risk locations
- High wind conditions

NOTE: Remove the higher ground rather than filling the low laying ground. All grass and sod under entire pool area must be removed.

POOL ASSEMBLY

Please refer to diagram steps.

POOL MAINTENANCE

Warning: If you do not adhere to the maintenance guidelines covered herein, your health might be at risk, especially that of children. Pool water treatment is essential for the safety of the users. Using chemicals inappropriately will cause property damage and personal injury.

NOTE: The pump is used to circulate the water and to filter small particles. In order to keep your pool water clean and hygienic, you must also add chemicals.

1. It is recommended not to fill the pool with catchment water, drilling water, or drainage well water: these waters generally contain polluted organic substances including nitrates and phosphates. Filling pools with water from the public network is advised.
2. Always keep your pool clean and apply the correct pool chemicals. Unsanitary water is a serious health hazard. It is recommended to use disinfectant, flocculant, acid or alkali chemicals to treat your pool.
3. Clean the PVC liner regularly with non-abrasive brushes or a pool vacuum cleaner.
4. Throughout the season, the water filtration system must run long enough each day to clean the entire volume of water in the pool.
5. Check the filter cartridge (or sand in a sand filter) regularly and replace dirty cartridges (or sand).
6. Regularly check the screws, bolts and all the metal parts for rust. Replace if necessary.
7. If it rains, check that the water level is not higher than the specified level. If water exceeds the specified levels, drain the pool to the specified level.
8. Do not use the pump when the pool is in use.
9. Cover the pool when not in use.
10. For pool water treatment, the pH value is very important.

ATTENTION: Do not leave the drained pool outside.
The following parameters ensure good quality water

Parameters	Values
Water clarity	clear view of the pool bottom
Colour of the water	no colour should be observed
Turbidity in FNU/NTU	max. 1,5 (preferably less than 0,5)
Nitrate concentration above that of fill water in mg/l	max. 20
Total organic carbon (TOC) in mg/l	max. 4,0
Redox potential against Ag/AgCl 3,5 m KCl in mV	min. 650
pH value	6,8 to 7,6
Free active chlorine (without cyanuric acid) in mg/l	0,3 to 1,5
Free chlorine used in combination with cyanuric acid in mg/l	1,0 to 3,0
Cyanuric acid in mg/l	max. 100
Combined chlorine in mg/l	max. 0,5 (preferably close to 0,0 mg/l)

WINTERIZATION

If you do not want to dismantle the pool in winter, please observe the following instructions:

IMPORTANT: Do not drain all of the pool water. If you do so, the pool may be damaged by strong wind. Drain the water to 10cm below the inlet valve on the pool wall.

1. Drain the water to 10cm below the inlet valve on the pool wall. You can use a pump or a garden hose (Diagrams 28, 29).
2. Treat the pool water with a suitable chemical product.
3. Remove the filtration system from the pool. You can leave the inlets/outlets attached to the pool.
4. Also remove any other pool accessories and store them in a dry and cool place.
5. Protect the pool with the pool cover.

If you want to dismantle the pool in winter, please observe the following instructions:

1. Drain the pool with a garden hose, or use a drain pump to empty the pool (Diagram 28).
2. Clean all pool parts with a sponge and soap with a neutral pH. Dry them and tidy them away in a dry and clean place.

PISCINAS OVAIS

HYDRIMUM™

MANUAL DO USUÁRIO



Visite o canal da Bestway no YouTube



N.º do Artigo	Dimensões	Tipo de Kit	Acessórios
#56586	16.4' x 12' x 48"	Kit de piscina acima do solo	<input checked="" type="checkbox"/> Sistema de Filtração <input checked="" type="checkbox"/> Escada <input checked="" type="checkbox"/> Tecido de Solo
#56583	(5.00m x 3.6m x 1.2m)		
#56587			
#56369	20' x 12' x 48"	Kit de piscina acima do solo	<input checked="" type="checkbox"/> Sistema de Filtração <input checked="" type="checkbox"/> Escada <input checked="" type="checkbox"/> Tecido de Solo
#56371	(6.10m x 3.6m x 1.2m)		
#56370			
#56604	24' x 12' x 48"	Kit de piscina acima do solo	<input checked="" type="checkbox"/> Sistema de Filtração <input checked="" type="checkbox"/> Escada <input checked="" type="checkbox"/> Tecido de Solo
#56606	(7.40m x 3.6m x 1.2m)		

! ATENÇÃO !

Leia atentamente, compreenda e siga todas as instruções contidas neste manual de utilizador antes de instalar e utilizar a piscina. Estes avisos, instruções e orientações de segurança visam alguns riscos comuns de divertimentos aquáticos, contudo não podem abranger todos os riscos e perigos em todos os casos. Sempre que desfrutar de uma actividade aquática, deve ter cuidado, senso comum e bom discernimento. Preserve esta informação para utilização futura.

Segurança dos Não-Nadadores

- É sempre necessária uma supervisão contínua, activa e vigilante dos nadadores mais vulneráveis e dos não-nadadores por um adulto competente (lembre-se que as crianças com idade inferior a cinco anos correm o risco mais elevado de afogamento).
- Nomeie um adulto competente para supervisionar a piscina sempre que esteja em utilização.
- Os nadadores mais vulneráveis ou não-nadadores devem utilizar equipamento de protecção pessoal sempre que utilizarem a piscina.
- Sempre que a piscina não estiver a ser utilizada ou sem supervisão, retire todos os brinquedos da piscina e dos seus arredores para evitar atrair crianças até à piscina.

Dispositivos de segurança

- De modo a prevenir que as crianças se afoguem, recomenda-se que proteja o acesso à piscina com um dispositivo de protecção. De modo a prevenir que as crianças subam pelas válvulas de entrada e saída, recomenda-se que instale uma barreira (e proteja todas as portas e janelas, sempre que aplicável) para prevenir o acesso não autorizado à piscina.
- Barreiras, coberturas de piscina, alarmes de piscina ou dispositivos de segurança semelhantes são auxiliares muito úteis, embora não substituam a supervisão contínua e competente por um adulto.

Equipamento de segurança

- Recomenda-se que mantenha equipamento de resgate (ex., uma bóia em anel) nas proximidades da piscina.
- Mantenha um telefone funcional e uma lista de telefones de emergência nas proximidades da piscina.

Utilização segura da piscina

- Encoraje todos os utilizadores, em especial as crianças, a aprender a nadar.
- Aprenda medidas de Suporte Básico de Vida (Ressuscitação Cardiopulmonar - RCP) e renove este conhecimento regularmente. Isto pode ajudar a salvar vidas em caso de emergência.
- Instrua todos os utilizadores da piscina, incluindo as crianças, acerca do que devem fazer em caso de emergência.
- Nunca mergulhe em corpos de água pouco profundos. Isto pode causar ferimentos graves ou morte.
- Não utilize a piscina quando ingerir álcool ou medicamentos que possam afectar a sua capacidade para desfrutar dela em segurança.
- Caso tenha uma cobertura de piscina, retire-a completamente da superfície da água antes de entrar na piscina.
- Proteja os ocupantes da piscina de doenças relacionadas com a água, mantendo a água da piscina tratada e praticando uma boa higiene. Consulte as orientações de tratamento da água contidas no manual de utilizador.
- Armazene os químicos (ex., produtos de tratamento, limpeza e desinfecção da água) fora do alcance das crianças.

- Utilize a sinalização conforme indicado abaixo. A sinalização deve ser exibida numa posição proeminente a 2m da piscina.
- Mantenha as crianças sob supervisão no meio aquático. Não mergulhe.
- As escadas amovíveis devem ser colocadas numa superfície horizontal.
- Independentemente dos materiais utilizados na construção da piscina, as superfícies acessíveis devem ser verificadas regularmente para evitar ferimentos.
- Monitorize regularmente os parafusos e remova lascas ou quaisquer arestas afiadas para evitar ferimentos.

- **ATENÇÃO:** Não deixe a piscina drenada no exterior. Quando vazia, a piscina fica susceptível a sofrer deformações e/ou deslocções devido ao vento.
- Se tiver uma bomba de filtro, consulte o manual da bomba para obter instruções.

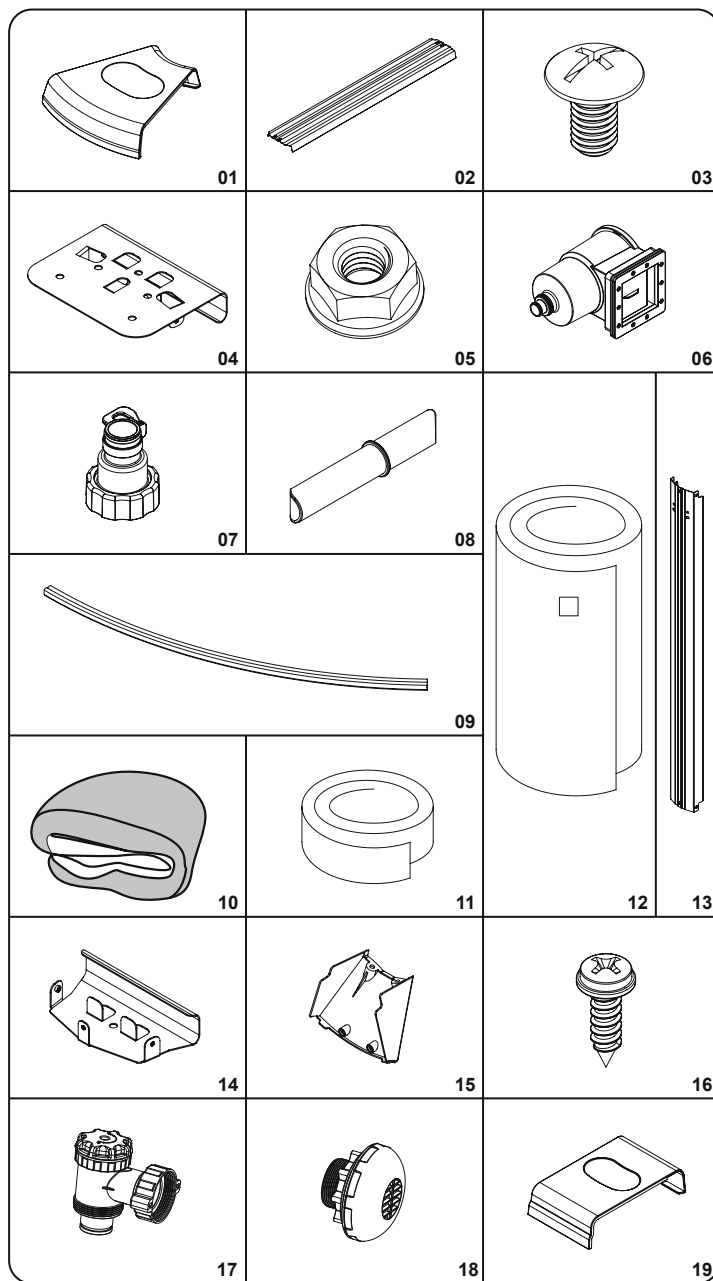
ATENÇÃO! A bomba não pode ser utilizada enquanto a piscina estiver ocupada!
- Se tiver uma escada, consulte o manual da escada para obter instruções.

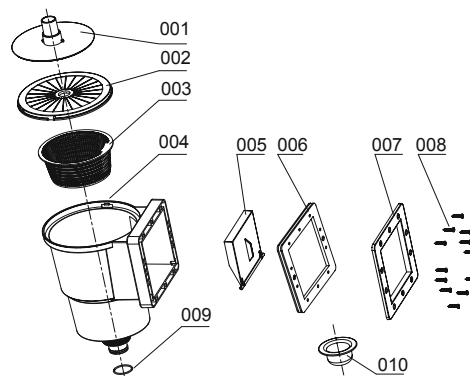
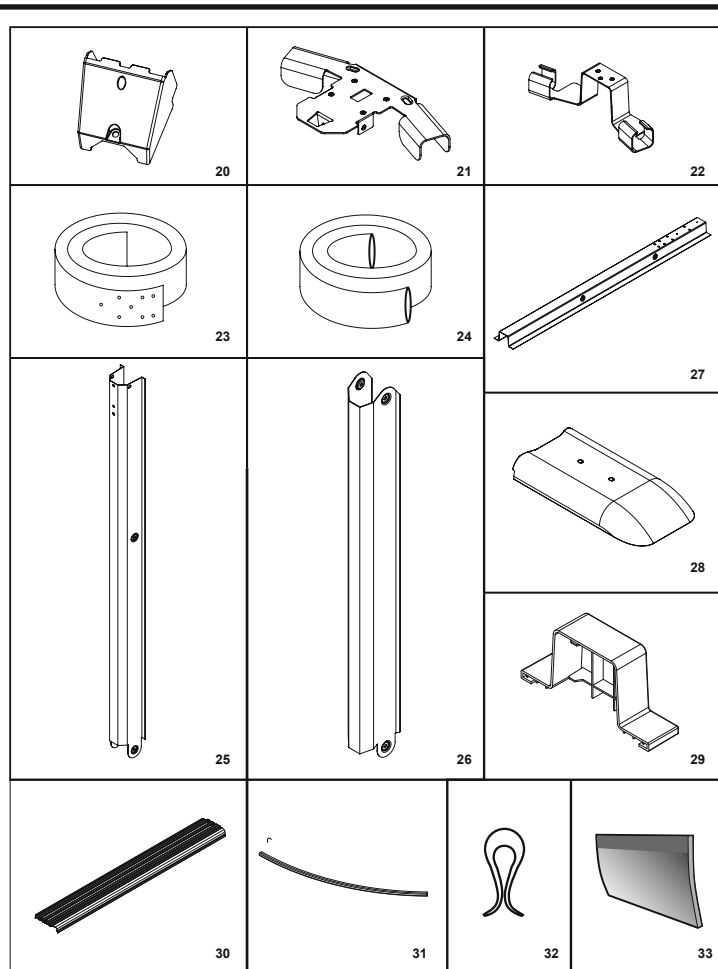
ATENÇÃO! A utilização de uma piscina implica o cumprimento das instruções de segurança descritas no guia de funcionamento e manutenção. Para prevenir afogamentos ou outros ferimentos graves, preste especial atenção à possibilidade das crianças com idade inferior a 5 anos acederem à piscina de forma inesperada, através da protecção do acesso à mesma, e mantendo-as sob supervisão constante de um adulto durante o período de banhos.

NOTA: Quando instalar a piscina, a posição do skimmer deve ser oposta à direcção principal do vento. A colocação da escada na piscina deve ser afastada do skimmer.

Por favor leia cuidadosamente e reserve para referência futura

Referência de Peças

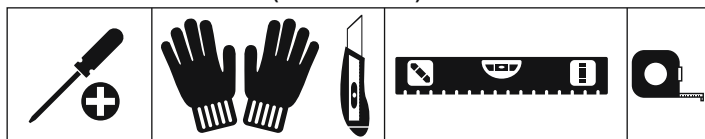




LISTA DE PEÇAS DO SKIMMER

Nº	Nome	Quantidade	N.º da Peça Sobresselente
001	União da mangueira	1	P6774
002	Cobertura	1	P6991
003	Cesto	1	P6776
004	Skimmer	1	P6777
005	Represa	1	P6992
006	Vedante	1	P6993
007	Placa frontal	1	P6780
008	Parafuso M5x22	12	/
009	O-ring	1	/
010	Tampão	1	P6813

Ferramentas Necessárias (não incluídas):



A instalação demora normalmente cerca de 3 horas com 2-3 pessoas excluindo trabalhos de remoção de solos e enchimento.

Nº	Nome	Material	16.4' x 12' x 48"		20' x 12' x 48"		24' x 12' x 48"	
			Qtd	N.º da Peça Sobresselente	Qtd	N.º da Peça Sobresselente	Qtd	N.º da Peça Sobresselente
1	Protector da junta superior	PP	8	P6743	8	P6743	8	P6743
2	Plataforma superior longa	Aço Revestido	10	P6745	6	P6745	6	P6745
3	Parafuso M6x11	Aço Inoxidável 304	170	P6746	214	P6746	260	P6746
4	Peça metálica superior	Aço	8	P6747	8	P6747	8	P6747
5	Porca M6	Aço Inoxidável 304	52	P6748	74	P6748	98	P6748
6	Skimmer		1	P6762	1	P6762	1	P6762
7	Adaptador de mangueira		2	F6H202	2	F6H202	2	F6H202
8	Conector do corrimão	PP	32	P6990	32	P6990	32	P6990
9	Corrimão Longo	PVC	20	P61236	12	P61237	12	P61237
10	Forro	PVC	1	56286ASS16	1	56369ASS16	1	56604ASS17
11	Fita auto-adesiva 3M		1	P6756	1	P6756	1	P6756
12	Parede de aço	Aço Revestido	1	P61447	1	P61448	1	P61449
13	Suporte vertical da piscina	Aço Revestido	8	P6757	8	P6757	8	P6757
14	Peça metálica inferior	Aço	8	P6761	8	P6761	8	P6761
15	Protector da junta inferior	PP	8	P6759	8	P6759	8	P6759
16	Parafuso ST4x14	Aço Inoxidável 304	22	P61491	28	P61491	34	P61491
17	Válvula de Controlo		1	P6(H1)1229	1	P6(H1)1229	1	P6(H1)1229
18	Filtro de Entrada da Piscina		1	P6H1317	1	P6H1317	1	P6H1317
19	Junta superior lateral	PP	2	P6800	4	P6800	6	P6800
20	Junta inferior lateral	PP	2	P6801	4	P6801	6	P6801
21	Peça metálica superior lateral	Aço	2	P6802	4	P6802	6	P6802
22	Peça metálica inferior lateral	Aço	2	P6826	4	P6826	6	P6826
23	Cinta de aço	Aço	1	P6810	2	P6810	3	P6810
24	Cobertura da cinta de aço	PVC	1	P6811	2	P6811	3	P6811
25	Suporte vertical lateral	Aço Revestido	2	P61249	4	P61249	6	P61249
26	Suporte oblíquo lateral	Aço Revestido	2	P61250	4	P61250	6	P61250
27	Suporte inferior lateral	Aço	2	P6827	4	P6827	6	P6827
28	Protector inferior interior	PP	2	P6828	4	P6828	6	P6828
29	Protector inferior lateral	PP	2	P61251	4	P61251	6	P61251
30	Plataforma superior curta	Aço Revestido			6	P61234	8	P61234
31	Corrimão Curto	PVC			12	P61238	16	P61238
32	Molas	Plástico	20		20		20	
33	Protector de espuma	EPE	8	P61473	8	P61473	8	P61473

SELECÇÃO DE UMA LOCALIZAÇÃO ADEQUADA

ATENÇÃO: A nivelção é extremamente importante.

Selecione cuidadosamente a localização para a sua nova piscina. Esta decisão é a mais importante que terá de tomar para garantir a segurança e o sucesso da construção da sua piscina. Uma localização incorrecta pode causar problemas futuros que podem provocar ferimentos, morte ou perdas financeiras. Leia cuidadosamente a lista de verificação abaixo quando seleccionar o local de instalação da sua piscina.

Aceitável:

Terreno plano, nivelado, firme e seco com acesso fácil de todos os lados da piscina
Exposto a luz solar directa, de preferência de manhã
Acesso seguro a electricidade para operar a bomba do filtro e outros acessórios da piscina
Acesso fácil a uma fonte de água
Protecção do vento

Não aceitável:

Terreno inclinado, desnivelado
Solo arenoso, rochoso ou pantanoso
Proximidade a construções em madeira (ex. pérgolas e pátios)
Junto a árvores
Existência de cabos superiores e linhas de secar roupa
Drenos, fios eléctricos ou tubagens de gás por baixo do local de instalação
Fracas ou pouca drenagem
Localizações com elevado risco de inundação
Condições de vento forte

NOTA: Remova o terreno mais elevado em vez de encher o terreno mais baixo. Toda a relva por baixo de toda a área da piscina deve ser removida.

MONTAGEM DA PISCINA

Por favor consulte os passos contidos no diagrama.

MANUTENÇÃO DA PISCINA

ATENÇÃO: Caso não respeite as indicações de manutenção indicadas no presente, a sua saúde pode ficar em risco, especialmente a das suas crianças. O tratamento da água da piscina é essencial para a segurança dos utilizadores. A utilização inapropriada de químicos irá causar danos de propriedade e ferimentos pessoais.

NOTA: A bomba é utilizada para circular a água e para filtrar pequenas partículas. Para manter a sua piscina limpa e higiénica, deve também adicionar químicos.

1. Recomenda-se que não encha a piscina com água de captação, de perfuração ou do poço: geralmente estas águas contêm substâncias orgânicas poluídas, incluindo nitratos e fosfatos. Recomenda-se que encha a piscina com água da rede pública.
2. Mantenha sempre a sua piscina limpa e aplique os químicos de piscina correctos. A água insalubre é um risco grave para a saúde. Recomenda-se que utilize desinfectante, floculante, e químicos ácidos ou alcalinos para tratar a sua piscina.
3. Limpe o forro de PVC regularmente com escovas não abrasivas ou um aspirador de piscina.
4. Ao longo da estação, o sistema de filtração da água deve operar tempo suficiente todos os dias para limpar todo o volume de água na piscina.
5. Verifique o cartucho de filtro (ou a areia no filtro de areia) regularmente e substitua os cartuchos sujos (ou a areia).
6. Verifique regularmente os parafusos, pinos e todas as peças metálicas quanto à existência de ferrugem. Substitua se necessário.
7. Caso chova, verifique se o nível da água não é mais alto que o nível especificado. Caso a água exceda os níveis especificados, drene a piscina até ao nível especificado.
8. Não utilize a bomba quando a piscina está a ser utilizada.
9. Cubra a piscina quando esta não estiver a ser utilizada.
10. No tratamento da água da piscina, o valor do pH é muito importante.

ATENÇÃO: Não deixe a piscina drenada no exterior.

Os parâmetros seguintes garantem uma água de boa qualidade

Parâmetros	Valores
Limpidez da água	visibilidade clara do fundo da piscina
Cor da água	a água não deve ter qualquer cor
Turbidez em FNU/NTU	máx. 1,5 (de preferência inferior a 0,5)
Concentração de nitratos acima da concentração da água de enchimento em mg/l	máx. 20
Carbono orgânico total (TOC) em mg/l	máx. 4,0
Potencial redox perante Ag/AgCl 3,5 m KCl em mV	min. 650
valor do pH	6,8 a 7,6
Cloro activo livre (sem ácido cianúrico) em mg/l	0,3 a 1,5
Cloro livre utilizado em combinação com ácido cianúrico em mg/l	1,0 a 3,0
Ácido cianúrico em mg/l	máx. 100
Cloro combinado em mg/l	máx. 0,5 (de preferência próximo de 0,0 mg/l)

PROTECÇÃO DURANTE O INVERNO

Caso não pretenda desmantelar a piscina no inverno, respeite as seguintes instruções:

IMPORTANTE: Não drene toda a água da piscina. Se o fizer, a piscina poderá ser danificada por vento forte. Drene a água até 10cm abaixo da válvula de entrada na parede da piscina.

1. Drene a água até 10cm abaixo da válvula de entrada na parede da piscina. Pode utilizar uma bomba ou uma mangueira de jardim (Diagrama 28,29).
2. Trate a água da piscina com um produto químico adequado.
3. Remova o sistema de filtração da piscina. Pode deixar as admissões/saídas ligadas à piscina.
4. Remova também qualquer acessório de piscina e armazene-os num local seco e fresco.
5. Proteja a piscina com a cobertura da piscina.

Se pretende desmantelar a piscina no Inverno, por favor respeite as instruções seguintes:

1. Drene a piscina com uma mangueira de jardim ou utilize uma bomba de drenagem para esvaziar a piscina (Diagrama 28).
2. Limpe cada componente da piscina com uma esponja e um sabonete de pH neutro. Seque-os e armazene-os num local seco e limpo.

PISCINAS OVALADAS

HYDRIMUM™

MANUAL DE INSTRUCCIONES



Visite el canal de YouTube de Bestway

Nº de art.	Dimensiones	Tipo de Kit	Accesorios
#56586 #56583 #56587	16.4' x 12' x 48" (5.00m x 3.6m x 1.2m)	Kit de piscinas de superficie	<input checked="" type="checkbox"/> Sistema de filtrado <input checked="" type="checkbox"/> Escalera <input checked="" type="checkbox"/> Manta de suelo
#56369 #56371 #56370	20' x 12' x 48" (6.10m x 3.6m x 1.2m)		
#56604 #56606	24' x 12' x 48" (7.40m x 3.6m x 1.2m)		

¡ADVERTENCIA!

Lea atentamente, comprenda y siga toda la información contenida en este manual antes de instalar y utilizar la piscina. Estas advertencias, instrucciones y normas de seguridad abordan algunos de los riesgos más comunes relacionados con el ocio acuático, pero no cubren todos los riesgos y peligros en cualquier caso. Sea siempre prudente y utilice el sentido común y el buen juicio cuando disfrute de cualquier actividad acuática. Conserve esta información para un uso futuro.

Seguridad de los no nadadores

- Los nadadores principiantes y los no nadadores requieren de la supervisión continua, activa y atenta de un adulto competente en todo momento (recuerde que los menores de cinco años cuentan con el mayor riesgo de ahogamiento).
- Asigne a un adulto competente la tarea de supervisar la piscina cada vez que esta esté en uso.
- Los nadadores principiantes o los no nadadores deben llevar un equipo de protección personal cuando utilicen la piscina.
- Cuando no se esté utilizando la piscina, o no cuente con supervisión, retire todos los juguetes de ella y de sus alrededores para que no atraigan a los niños.

Dispositivos de seguridad

- Para prevenir el ahogamiento infantil, se recomienda asegurar el acceso a la piscina con algún dispositivo de seguridad. Para prevenir que los niños suban sobre las válvulas de entrada y de salida, se recomienda instalar una barrera (y asegurar todas las puertas y ventanas, donde sea necesario) para prevenir el acceso no autorizado a la piscina.
- Las barreras, cubiertas de piscina, alarmas de piscina o dispositivos de seguridad similares son ayudas útiles, pero no sustituyen la supervisión competente y constante de un adulto.

Equipos de seguridad

- Se recomienda tener los equipos de rescate (ej.: salvavidas) cerca de la piscina.
- Tenga un teléfono activo y una lista de números de emergencia cerca de la piscina.

Uso seguro de la piscina

- Anime a todos los usuarios, y especialmente a los niños, a aprender a nadar.
- Aprenda métodos de reanimación básica (reanimación cardiopulmonar - RCP) y repase este conocimiento regularmente. Esto puede marcar la diferencia en caso de emergencia.
- Enseñe a todos los usuarios de la piscina, niños incluidos, qué hacer en caso de emergencia.
- No se zambulla en aguas poco profundas. Esto podría causar graves daños o incluso muerte.
- No utilice la piscina cuando se encuentre bajo los efectos del alcohol o de medicamentos que puedan afectar a su capacidad de usar la piscina de manera segura.
- Cuando se utilizan las cubiertas de piscina, retírelas completamente de la superficie del agua antes de entrar en la piscina.
- Proteja a los usuarios de la piscina de enfermedades manteniendo el tratamiento del agua de la piscina y practicando buenos hábitos higiénicos. Consulte las directrices para el tratamiento del agua en el manual del usuario.
- Almacene los productos químicos (ej.: tratamientos para el agua, productos de limpieza o desinfección) fuera del alcance de los niños.

- Utilice la señalización como se especifica más abajo. La señalización se debe colocar en una posición visible y destacada dentro de un radio de 2 metros de la piscina.
- Supervise a los niños en el entorno acuático. Prohibido tirarse de cabeza.
- Las escaleras extraíbles deben colocarse sobre una superficie horizontal.
- Independientemente del material utilizado para la construcción de la piscina, las superficies accesibles deben comprobarse regularmente para evitar lesiones.
- Compruebe regularmente los tornillos y tuercas; retire las astillas o cualquier borde afilado para evitar lesiones.

- **ATENCIÓN:** No deje la piscina vacía en el exterior. La piscina vacía podría deformarse y/o desplazarse debido al viento.
- Si cuenta con una bomba de filtrado, consulte el manual de instrucciones de la bomba.

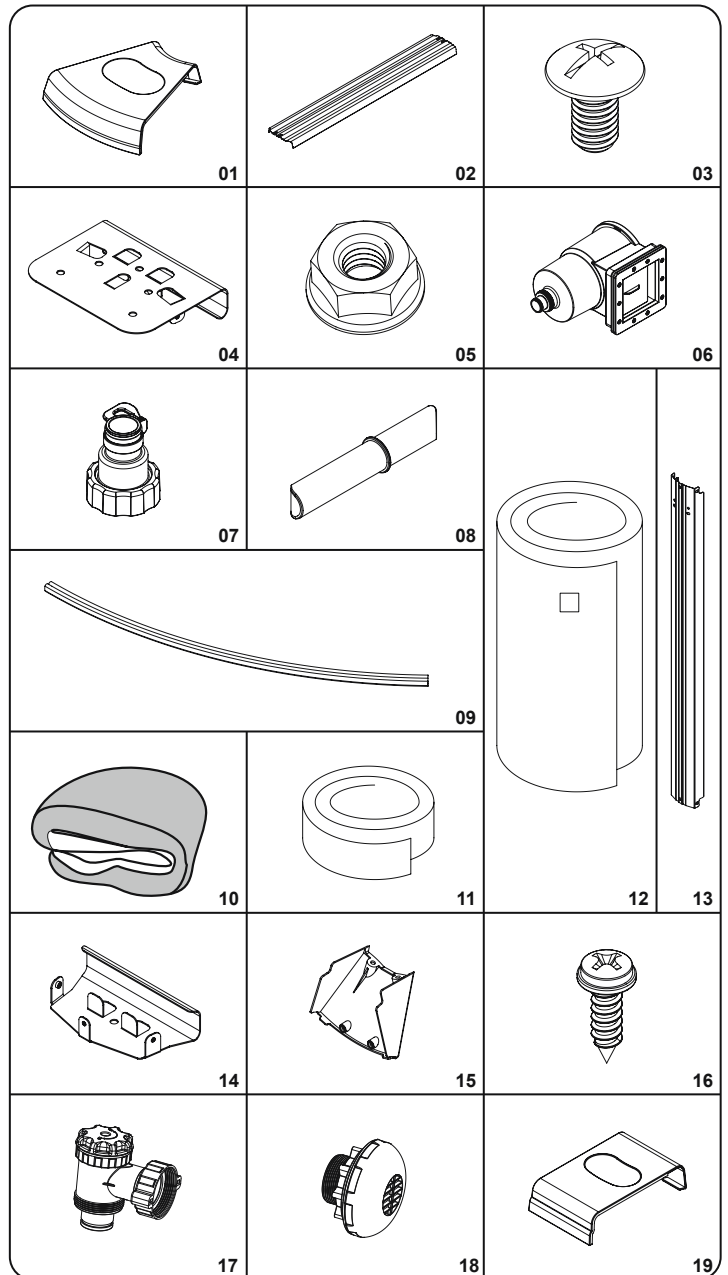
- **¡ADVERTENCIA!** La bomba no se puede poner en marcha mientras haya personas en el interior de la piscina.
- Si tiene una escalera, consulte su correspondiente manual para las instrucciones.

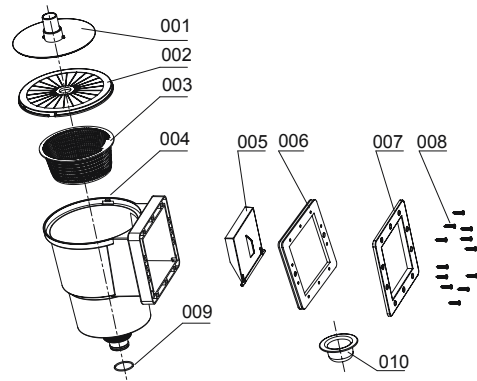
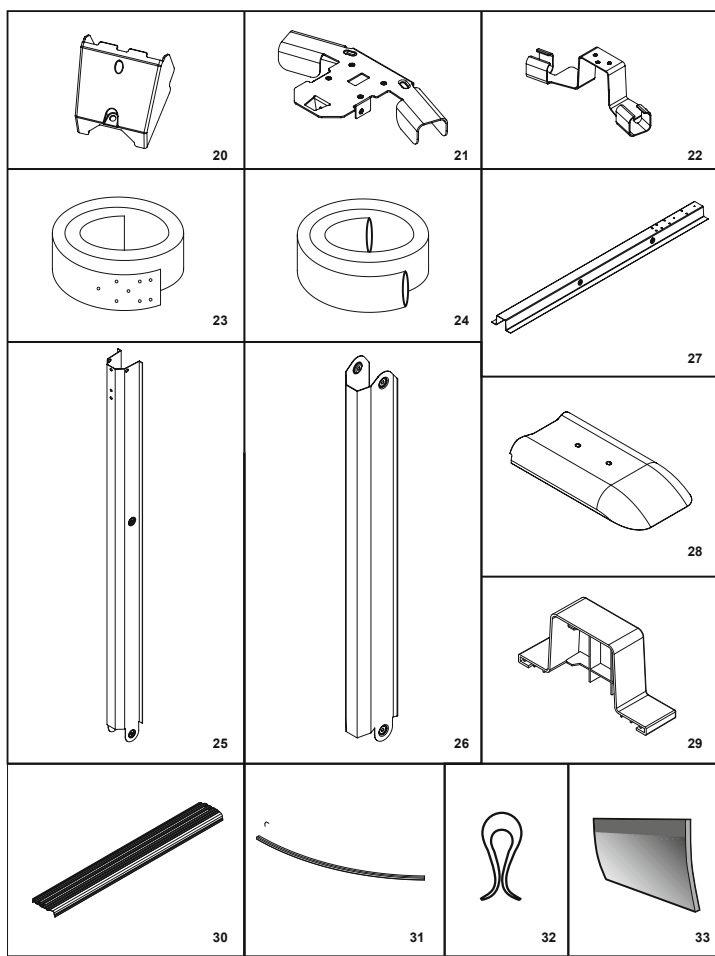
- **¡ADVERTENCIA!** El uso de una piscina implica el cumplimiento de las instrucciones de seguridad descritas en el manual de uso y mantenimiento. Para evitar ahogamiento y otras lesiones graves, preste una especial atención a la posibilidad de acceso inesperado a la piscina de niños de menos de 5 años, tomando las medidas de seguridad necesarias y, durante el periodo del baño, téngales bajo la vigilancia constante de un adulto.

- **NOTA:** Cuando instale la piscina, la posición del recogehojas debe ser opuesta a la dirección del viento. La escalera debe colocarse lejos del recogehojas.

Lea atentamente y conserve para consultas futuras

Referencias de piezas

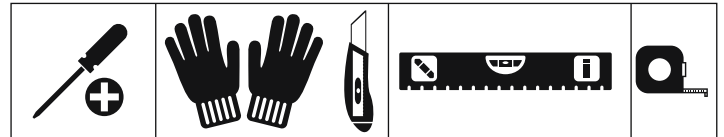




LISTA DE PARTES DEL RECOGEHOJAS

Nº	Nombre	Cantidad	Nº de pieza de repuesto
001	Empalme de manguera	1	P6774
002	Tapa	1	P6991
003	Cesta	1	P6776
004	Recogehojas	1	P6777
005	Rebosadero	1	P6992
006	Junta	1	P6993
007	Pantalla	1	P6780
008	Tornillo M5x22	12	/
009	Junta tórica	1	/
010	Tapón	1	P6813

Herramientas necesarias (no incluidas):



La instalación normalmente dura 3 horas si la llevan a cabo 2-3 personas, excluyendo las excavaciones y el llenado.

Nº	Nombre	Material	16.4' x 12' x 48"		20' x 12' x 48"		24' x 12' x 48"	
			Cant.	Nº de pieza de repuesto	Cant.	Nº de pieza de repuesto	Cant.	Nº de pieza de repuesto
1	Protector de junta superior	PP	8	P6743	8	P6743	8	P6743
2	Plataforma superior larga	Acero revestido	10	P6745	6	P6745	6	P6745
3	Perno M6x11	Acero inoxidable 304	170	P6746	214	P6746	260	P6746
4	Pieza de metal superior	Acero	8	P6747	8	P6747	8	P6747
5	Tuerca M6	Acero inoxidable 304	52	P6748	74	P6748	98	P6748
6	Recogehojas		1	P6762	1	P6762	1	P6762
7	Adaptador de manguera		2	F6H202	2	F6H202	2	F6H202
8	Conector de riel	PP	32	P6990	32	P6990	32	P6990
9	Riel largo	PVC	20	P61236	12	P61237	12	P61237
10	Revestimiento	PVC	1	56286ASS16	1	56369ASS16	1	56604ASS17
11	Cinta autoadhesiva 3M		1	P6756	1	P6756	1	P6756
12	Pared de acero	Acero revestido	1	P61447	1	P61448	1	P61449
13	SopORTE vertical de piscina	Acero revestido	8	P6757	8	P6757	8	P6757
14	Pieza de metal inferior	Acero	8	P6761	8	P6761	8	P6761
15	Protector de junta inferior	PP	8	P6759	8	P6759	8	P6759
16	Tornillo ST4x14	Acero inoxidable 304	22	P61491	28	P61491	34	P61491
17	Válvula de control (Control Valve)		1	P6(H1)1229	1	P6(H1)1229	1	P6(H1)1229
18	Tamiz de entrada de la piscina		1	P6H1317	1	P6H1317	1	P6H1317
19	Junta parte superior	PP	2	P6800	4	P6800	6	P6800
20	Junta parte inferior	PP	2	P6801	4	P6801	6	P6801
21	Placa metálica superior	Acero	2	P6802	4	P6802	6	P6802
22	Placa metálica inferior	Acero	2	P6826	4	P6826	6	P6826
23	Banda de acero	Acero	1	P6810	2	P6810	3	P6810
24	Recubrimiento de la banda de acero	PVC	1	P6811	2	P6811	3	P6811
25	Columna vertical	Acero revestido	2	P61249	4	P61249	6	P61249
26	Contrafuerte	Acero revestido	2	P61250	4	P61250	6	P61250
27	Tensor de la base	Acero	2	P6827	4	P6827	6	P6827
28	Protector interior inferior	PP	2	P6828	4	P6828	6	P6828
29	Protector inferior	PP	2	P61251	4	P61251	6	P61251
30	Plataforma superior corta	Acero revestido			6	P61234	8	P61234
31	Riel corto	PVC			12	P61238	16	P61238
32	Clips	Plástico	20		20		20	
33	Protector de espuma	EPE	8	P61473	8	P61473	8	P61473

ELECCIÓN DE UNA UBICACIÓN ADECUADA

ADVERTENCIA: La nivelación es extremadamente importante.

Elija con cuidado el lugar para su nueva piscina. Esta será la decisión más importante que deberá tomar para garantizar la seguridad y el éxito de la construcción de su piscina. Un lugar de instalación inadecuado podría provocar problemas en el futuro, como lesiones, pérdidas financieras o incluso la muerte. Lea atentamente la lista de comprobación siguiente a la hora de elegir dónde colocar su piscina.

Aceptable:

Suelo llano, nivelado, firme y seco, con facilidad de acceso a todos los lados de la piscina.

Exposición a la luz solar directa, preferentemente por la mañana.

Acceso seguro a la electricidad para poner en marcha la bomba de filtrado y otros accesorios de la piscina.

Acceso fácil a una fuente de agua.

Protección del viento.

Inaceptable:

Terreno inclinado, desigual.

Terreno arenoso, con piedras o blando.

Cercanía con una estructura de madera, por ejemplo, pérgolas y terrazas.

Cercanía respecto a árboles.

Bajo tendales y tendidos de cableado.

Drenajes, cableado eléctrico o tuberías de gas bajo el lugar de instalación.

Drenaje insuficiente o inadecuado.

Ubicaciones con un elevado riesgo de inundación.

Condiciones de vientos fuertes.

NOTA: En lugar de rellenar, retire el exceso de tierra en aquellos lugares donde el suelo es más elevado. Debe retirarse toda la hierba y los terruños bajo la zona de instalación de la piscina.

MONTAJE DE LA PISCINA

Consulte los pasos de las imágenes.

MANTENIMIENTO DE LA PISCINA

Advertencia: Si no respeta las instrucciones de mantenimiento aquí señaladas, puede poner en peligro su salud y, en especial, la de los niños. El tratamiento del agua de la piscina es fundamental para la seguridad de los usuarios. El uso inadecuado de los productos químicos causa daños materiales y lesiones físicas.

NOTA: La bomba se utiliza para hacer circular el agua y filtrar pequeñas partículas. Para mantener el agua limpia y en perfectas condiciones higiénicas, es necesario el uso de productos químicos.

1. Se recomienda no llenar la piscina con agua proveniente de cuencas, pozos o drenajes: este tipo de agua generalmente contiene sustancias orgánicas contaminadas, incluyendo nitratos y fosfatos. Se aconseja llenar la piscina con agua proveniente de la red pública.
2. Mantenga la piscina siempre limpia y utilice los productos químicos para piscinas que correspondan. Un agua insalubre presenta serios riesgos para la salud. Se recomienda el uso de productos químicos desinfectantes, floculantes, ácidos o alcalinos para el tratamiento de su piscina.
3. Limpie el revestimiento de PVC regularmente con cepillos suaves o con un aspirador para piscinas.
4. Durante la temporada de uso de la piscina, el sistema de filtración del agua debe permanecer en marcha el tiempo suficiente cada día como para mantener limpia todo el volumen de agua de la piscina.
5. Compruebe el cartucho del filtro (o la arena en un filtro de arena) regularmente y reemplace los filtros sucios (o la arena).
6. Compruebe con regularidad los tornillos, los pernos y todas las piezas de metal para detectar la presencia de óxido. Cámbielos si fuera necesario.
7. Si llueve, compruebe que el nivel del agua no supera el nivel máximo especificado. Si el agua supera el nivel máximo especificado, drene la piscina hasta el nivel correcto.
8. No utilice la bomba mientras la piscina se encuentre en uso.
9. Cubra la piscina cuando no se vaya a utilizar.
10. Para el tratamiento del agua de la piscina, los niveles de pH son muy importantes.

ATENCIÓN: No deje la piscina vacía en el exterior.

Los siguientes parámetros garantizan la calidad del agua

Parámetros	Valores
Claridad del agua	vista clara del fondo de la piscina
Color del agua	no debería percibirse ningún color
Turbiedad en FNU/NTU	máx. 1,5 (preferiblemente menos de 0,5)
Concentración de nitratos en el agua de llenado en mg/l	máx. 20
Carbono orgánico total (TOC) en mg/l	máx. 4,0
Potencial de reducción contra Ag/AgCl 3,5 m KCl en mV	min. 650
valor de pH	de 6,8 a 7,6
Cloro libre (sin ácido cianúrico) en mg/l	de 0,3 a 1,5
Cloro libre utilizado en combinación con ácido cianúrico en mg/l	de 1,0 a 3,0
Ácido cianúrico en mg/l	máx. 100
Cloro combinado en mg/l	máx. 0,5 (preferiblemente próximo a 0,0 mg/l)

PREPARACIÓN PARA EL INVIERNO

Si no desea desmontar la piscina en invierno, siga las instrucciones siguientes:

IMPORTANTE: No vacíe la piscina por completo. De hacerlo, la piscina podría dañarse a causa de fuertes vientos. Vacíe la piscina hasta que el agua quede unos 10 cm por debajo de la válvula de entrada de la pared de la piscina.

1. Vacíe la piscina hasta que el agua quede unos 10 cm por debajo de la válvula de entrada de la pared de la piscina. Puede utilizar una bomba o una manguera de jardín (imagen 28,29).
2. Trate el agua de la piscina con un producto químico adecuado.
3. Retire el sistema de filtrado de la piscina. Puede dejar las tomas de entrada y salida conectadas a la piscina.
4. Retire también cualquier otro accesorio de la piscina y guárdelo en un lugar seco y fresco.
5. Coloque la cubierta protectora sobre la piscina.

Si desea desmontar la piscina en invierno, siga las instrucciones siguientes:

1. Vacíe la piscina con una manguera de jardín, o utilice una bomba de drenaje para vaciar la piscina (imagen 28).
2. Limpie todas las partes de la piscina con una esponja y jabón con pH neutro. Séquelas y guárdelas en un lugar limpio y seco.

HYDRUM™ OVALE STAHLWANDPOOLS BENUTZERHANDBUCH



Besuchen Sie den YouTube-Kanal von Bestway

Artikel-Nr.	Abmessungen	Art des Sets	Zubehör
#56586 #56583 #56587	16.4' x 12' x 48" (5.00m x 3.6m x 1.2m)	Oberirdisches Swimmingpool-Set	<input checked="" type="checkbox"/> Filtersystem <input checked="" type="checkbox"/> Leiter <input checked="" type="checkbox"/> Bodenplane
#56369 #56371 #56370	20' x 12' x 48" (6.10m x 3.6m x 1.2m)		
#56604 #56606	24' x 12' x 48" (7.40m x 3.6m x 1.2m)		

! ACHTUNG!

Vor dem Bau und der Benutzung des Schwimmbeckens werden sämtliche Informationen in dieser Anleitung sorgfältig gelesen, verstanden und befolgt. Diese Warnhinweise, Anleitungen und Sicherheitsrichtlinien umfassen einige allgemeine Risiken in Bezug auf Freizeitbeschäftigung im Wasser, sie können jedoch nicht sämtliche Risiken und Gefährdungen in allen Fällen behandeln. Bei jeglicher Aktivität im Wasser wird Vorsicht, gesunder Menschenverstand und gutes Urteilsvermögen walten gelassen. Diese Angaben werden für die spätere Nutzung aufbewahrt.

Sicherheit von Nichtschwimmern

- Es ist jederzeit eine ständige, aktive und wachsame Beaufsichtigung schwacher Schwimmer und Nichtschwimmer durch eine sachkundige erwachsene Aufsichtsperson erforderlich (es wird daran erinnert, dass das größte Risiko des Ertrinkens bei Kindern unter 5 Jahren besteht).
- Es wird eine sachkundige erwachsene Person bestimmt, die das Becken überwacht, wenn es benutzt wird.
- Schwache Schwimmer oder Nichtschwimmer sollten persönliche Schutzausrüstung tragen, wenn sie ins Schwimmbecken gehen.
- Wenn das Schwimmbecken nicht benutzt oder überwacht wird, werden sämtliche Spielsachen aus dem Schwimmbecken und seiner Umgebung entfernt, um zu verhindern, dass Kinder davon angezogen werden.

Sicherheitsvorrichtungen

- Um das Ertrinken von Kindern zu verhindern, wird empfohlen, den Zugang zum Schwimmbecken mit einer Schutzvorrichtung zu sichern. Um Kinder vom Klettern über das Einlass- und Auslassventil abzuhalten, Es wird empfohlen, eine Absperrung zu errichten (und sämtliche Türen und Fenster zu sichern, sofern zutreffend), um unberechtigten Zutritt zum Schwimmbecken zu vermeiden.
- Absperrungen, Beckenabdeckungen, Alarmanlagen oder ähnliche Sicherheitsvorrichtungen sind sinnvolle Hilfsmittel, ersetzen jedoch keine ständige und sachkundige Überwachung durch erwachsene Personen.

Sicherheitsausrüstung

- Es wird empfohlen, Rettungsausrüstung (z. B. einen Rettungsring) in der Nähe des Beckens aufzubewahren.
- Ein funktionierendes Telefon und eine Liste von Notrufnummern werden in der Nähe des Schwimmbeckens aufbewahrt.

Sichere Nutzung des Schwimmbeckens

- Sämtliche Nutzer, insbesondere Kinder, werden dazu ermuntert, schwimmen zu lernen.
- Erste Hilfe (Herz-Lungen-Wiederbelebung) erlernen und diese Kenntnisse regelmäßig auffrischen. Das kann bei einem Notfall einen lebensrettenden Unterschied ausmachen.
- Sämtliche Beckenbenutzer, einschließlich Kinder, anweisen, was in einem Notfall zu tun ist.
- Niemals in flaches Wasser springen. Das kann zu schweren Verletzungen oder zum Tode führen.
- Das Schwimmbecken nicht benutzen, wenn man unter dem Einfluss von Alkohol oder Medikamenten steht, welche die Fähigkeit zur sicheren Nutzung des Beckens beeinträchtigen können.
- Beckenabdeckungen vor dem Betreten des Schwimmbeckens vollständig von der Wasseroberfläche entfernen, wenn sie verwendet werden.
- Die Nutzer des Schwimmbeckens werden vor durch das Wasser verbreiteten Krankheiten geschützt, indem das Wasser stets aufbereitet und hygienisch unbedenklich gehalten wird. Die Richtlinien zur Wasseraufbereitung in der Gebrauchsanleitung werden zu Rate gezogen.
- Chemikalien (z. B. Produkte für die Wasseraufbereitung, Reinigung oder Desinfektion) außerhalb der Reichweite von Kindern aufbewahren.

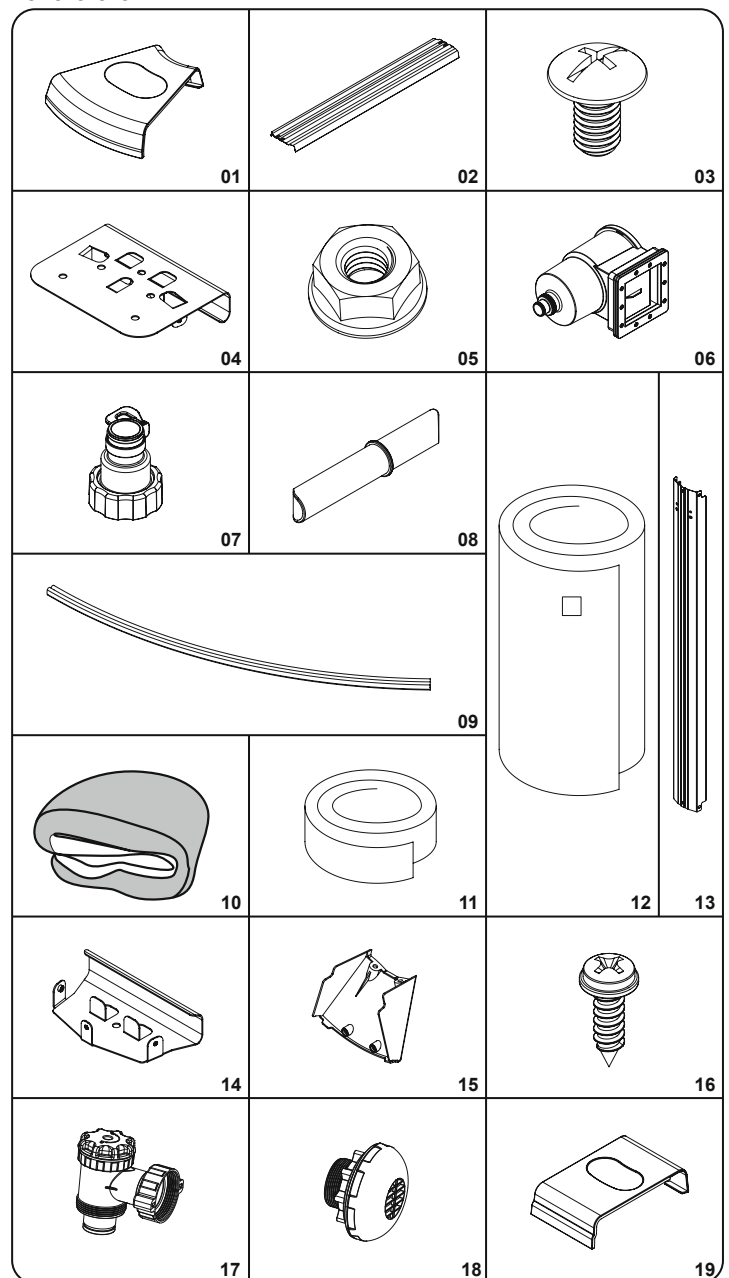
- Die nachstehenden Zeichen werden verwendet. Die Zeichen sind an einer gut sichtbaren Stelle innerhalb von 2 000 mm in der Nähe des Schwimmbeckens anzubringen.
- Beaufsichtigen Sie stets Kinder in Poolumgebung und in Wassernähe. Keine Tauchsprünge.
- Abnehmbare Leitern sind auf einer waagerechten Fläche anzuordnen.
- Zugängliche Flächen müssen regelmäßig überprüft werden, um Verletzungen zu vermeiden, unabhängig von den für den Bau des Schwimmbeckens verwendeten Materialien.
- Prüfen Sie regelmäßig Bolzen und Schrauben; entfernen Sie Späne, Spreißel sowie sämtliche scharfen Kanten, um Verletzungen zu vermeiden.
- **ACHTUNG:** Lassen Sie den entleerten Pool nicht im Freien. Der leere Pool neigt dazu, durch den Wind verformt und/oder verschoben zu werden.
- Zugängliche Filterpumpen müssen regelmäßig überprüft werden, beachten Sie die Anweisungen des Filterpumpen-Handbuchs.
- **ACHTUNG!** Die Pumpe darf nicht betrieben werden, wenn sich Menschen im Pool aufhalten!
- Wenn Sie über eine Leiter verfügen, beachten Sie die Anweisungen des Leiter-Handbuchs.

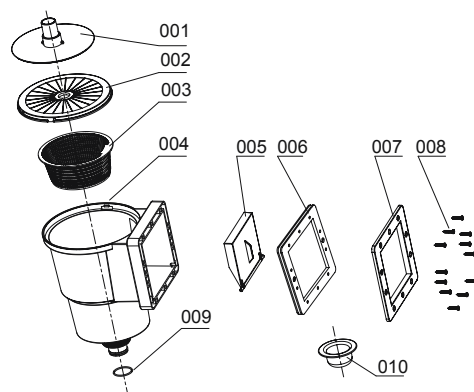
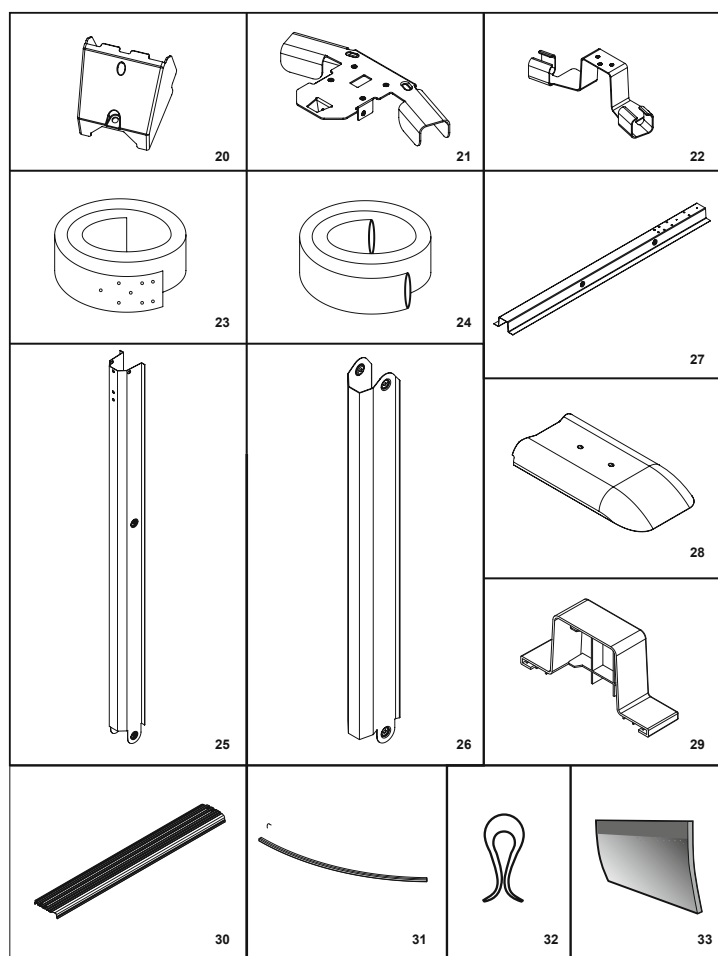
ACHTUNG! Die Nutzung eines Swimmingpools setzt die Einhaltung der im Betriebs- und Wartungshandbuch beschriebenen Sicherheitsanweisungen voraus. Um der Gefahr des Ertrinkens und anderer schwerer Unfälle vorzubeugen, achten sie besonders darauf, dass Kinder unter 5 Jahren den Pool nicht unerwartet betreten und sichern sie den Zugang entsprechend ab. Stellen Sie weiterhin während der Badezeiten eine konstante Beaufsichtigung der Kinder durch Erwachsene sicher.

HINWEIS: Bei der Installation des Pools sollte der Skimmer entgegen der Hauptwindrichtung positioniert werden. Die Platzierung der Leiter im Pool sollte vom Skimmer entfernt erfolgen.

Bitte sorgfältig lesen und als künftige Referenz aufbewahren.

Teilerferenz

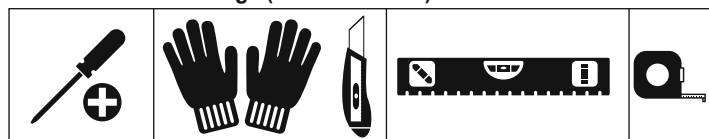




TEILELISTE DES Skimmers

Nr.	Bezeichnung	Anzahl	Ersatzteil-Nr.
001	Schlauchanschluss	1	P6774
002	Abdeckung	1	P6991
003	Korb	1	P6776
004	Skimmer	1	P6777
005	Überlaufklappe	1	P6992
006	Dichtung	1	P6993
007	Planscheibe	1	P6780
008	Schraube M5x22	12	/
009	O-Ring	1	/
010	Stopfen	1	P6813

Erforderliche Werkzeuge (nicht enthalten):



Für die Installation werden etwa 3 Stunden und 2-3 Personen benötigt, exklusive ggf. erforderlicher Bodenarbeiten und Befüllung.

Nr.	Bezeichnung	Material	16.4' x 12' x 48"		20' x 12' x 48"		24' x 12' x 48"	
			Anz.	Ersatzteil-Nr.	Anz.	Ersatzteil-Nr.	Anz.	Ersatzteil-Nr.
1	Oberer Verbindungsschutz	PP	8	P6743	8	P6743	8	P6743
2	Lange obere Plattform	Beschichteter Stahl	10	P6745	6	P6745	6	P6745
3	Bolzen M6x11	Edelstahl 304	170	P6746	214	P6746	260	P6746
4	Oberes Metallteil	Stahl	8	P6747	8	P6747	8	P6747
5	Mutter M6	Edelstahl 304	52	P6748	74	P6748	98	P6748
6	Skimmer		1	P6762	1	P6762	1	P6762
7	Schlauchadapter		2	F6H202	2	F6H202	2	F6H202
8	Schienenverbinder	PP	32	P6990	32	P6990	32	P6990
9	Lange Schiene	PVC	20	P61236	12	P61237	12	P61237
10	Innenverkleidung	PVC	1	56286ASS16	1	56369ASS16	1	56604ASS17
11	3M Selbstklebendes Band		1	P6756	1	P6756	1	P6756
12	Stahlwand	Beschichteter Stahl	1	P61447	1	P61448	1	P61449
13	Vertikale Poolstütze	Beschichteter Stahl	8	P6757	8	P6757	8	P6757
14	Unteres Metallteil	Stahl	8	P6761	8	P6761	8	P6761
15	Unterer Verbindungsschutz	PP	8	P6759	8	P6759	8	P6759
16	Schraube ST4x13	Edelstahl 304	22	P61491	28	P61491	34	P61491
17	Regelventil		1	P6(H1)1229	1	P6(H1)1229	1	P6(H1)1229
18	Pooleinlass-Sieböffnung		1	P6H1317	1	P6H1317	1	P6H1317
19	Seitliche obere Verbindung	PP	2	P6800	4	P6800	6	P6800
20	Seitliche untere Verbindung	PP	2	P6801	4	P6801	6	P6801
21	Seitliches oberes Metallteil	Stahl	2	P6802	4	P6802	6	P6802
22	Seitliches unteres Metallteil	Stahl	2	P6826	4	P6826	6	P6826
23	Stahlband	Stahl	1	P6810	2	P6810	3	P6810
24	Stahlbandabdeckung	PVC	1	P6811	2	P6811	3	P6811
25	Seitliche vertikale Stütze	Beschichteter Stahl	2	P61249	4	P61249	6	P61249
26	Seitliche schräge Stütze	Beschichteter Stahl	2	P61250	4	P61250	6	P61250
27	Seitliche Bodenstütze	Stahl	2	P6827	4	P6827	6	P6827
28	Innerer Bodenschutz	PP	2	P6828	4	P6828	6	P6828
29	Seitlicher Bodenschutz	PP	2	P61251	4	P61251	6	P61251
30	Kurze obere Plattform	Beschichteter Stahl			6	P61234	8	P61234
31	Kurze Schiene	PVC			12	P61238	16	P61238
32	Klammern	Kunststoff	20		20		20	
33	Schaumschutz	EPE	8	P61473	8	P61473	8	P61473

AUSWÄHLEN EINES GEEIGNETEN STANDORTS

WARNUNG: Das Ebnen ist äußerst wichtig.

Wählen Sie den Standort für Ihren neuen Pool sorgfältig aus. Dies ist die wichtigste Entscheidung, die Sie treffen müssen, um die Sicherheit und den Erfolg Ihrer Poolkonstruktion zu gewährleisten. Ein schlecht gewählter Standort kann zukünftige Probleme verursachen, die zu Verletzungen, Todesfällen oder finanziellen Schäden führen. Lesen Sie die nachstehende Checkliste sorgfältig durch, bevor Sie den Standort zum Aufbau Ihres Pools auswählen.

Akzeptabel:

Flacher, ebener, fester und trockener Untergrund mit leichtem Zugang zu allen Seiten des Pools
Direkter Sonneneinstrahlung ausgesetzt, vorzugsweise in den Morgenstunden
Sicherer Zugang zu Elektrizität zum Betrieb der Filterpumpe sowie anderen Poolzubehörs
Einfacher Zugang zu einer Wasserquelle
Schutz vor Wind

Inakzeptabel:

Unebener Untergrund
Sandiger, felsiger oder morastiger Untergrund
In der Nähe von Holzkonstruktionen (z. B. Pergolas und Terrassen)
In der Nähe von Bäumen
Oberleitungen und Wäscheleinen
Abwasserleitungen, elektrische Leitungen oder Gasleitungen unterhalb des Standorts
Unzureichende Drainagemöglichkeiten
Überschwemmungsgefährdete Orte
Starke Windeinflüsse

HINWEIS: Tragen Sie besser höheren Untergrund ab, anstatt niedriger liegenden Boden aufzufüllen. Sämtliches Gras und sonstige Vegetation im Aufstellbereich des Pools müssen entfernt werden.

POOLAUFBAU

Bitte befolgen Sie die Schritte in den Abbildungen.

POOLWARTUNG

ACHTUNG: Wenn Sie die hier ausgeführten Wartungsanweisungen nicht beachten, kann dies zu ernststen Gesundheitsgefahren führen, besonders für Ihre Kinder. Eine laufende Poolwasseraufbereitung ist von wesentlicher Bedeutung für die Sicherheit der Benutzer. Der unsachgemäße Einsatz von Chemikalien führt zu ernsthaften Personen- und Sachschäden.

HINWEIS: Die Pumpe wird zur Wasserzirkulation und zum Ausfiltern kleiner Partikel verwendet. Um Ihr Poolwasser sauber und hygienisch zu halten, müssen auch Chemikalien hinzugefügt werden.

1. Es wird dringend empfohlen, den Pool nicht mit Regenwasser, Wasser aus Stau- und Auffangbecken, Spülungswasser und Drainagewasser zu befüllen: Diese Arten von Wasser enthalten in der Regel verschmutzte organische Substanzen, einschließlich Nitrate und Phosphate. Es wird empfohlen, Pools mit Wasser aus dem öffentlichen Wassernetz zu befüllen.
2. Halten Sie Ihren Pool stets sauber und fügen Sie die richtigen Poolchemikalien hinzu. Unhygienisches Wasser stellt eine ernsthafte Gesundheitsgefährdung dar. Es wird empfohlen, Desinfektionsmittel, Flockungsmittel und saure oder alkalische Chemikalien für die Wasseraufbereitung in Ihrem Pool zu verwenden.
3. Reinigen Sie regelmäßig die PVC-Innenverkleidung mit nicht scheuernden Bürsten oder einem Vakuum-Poolreiniger.
4. Während der Badesaison muss das Filtersystem täglich ausreichend lange laufen, um das gesamte Poolwasser zu reinigen.
5. Überprüfen Sie regelmäßig die Filterkartusche (bzw. den Sand in einem Sandfilter) und tauschen Sie verschmutzte Kartuschen (bzw. verschmutzten Sand) aus.
6. Überprüfen Sie regelmäßig die Schrauben, Bolzen und alle anderen Metallteile auf Rost. Ersetzen Sie diese, wenn erforderlich.
7. Überprüfen Sie bei Regen, dass der Wasserstand nicht über die zulässige Höhe steigt. Übersteigt der Wasserstand die zulässige Höhe, lassen Sie so viel Wasser aus dem Pool ab, dass die zulässigen Grenzwerte eingehalten werden.
8. Betreiben Sie die Pumpe nicht, während der Pool benutzt wird.
9. Decken Sie den Pool ab, wenn er nicht benutzt wird.
10. Für die Poolwasseraufbereitung ist der pH-Wert sehr wichtig.

ACHTUNG: Lassen Sie den entleerten Pool nicht im Freien. Die folgenden Parameter gewährleisten gute Wasserqualität

Parameter	Werte
Klarheit des Wassers	Klare Sicht auf den Poolboden
Farbe des Wassers	Es sollte keine Verfärbung ersichtlich sein
Trübung in FNU/NTU	max. 1,5 (vorzugsweise weniger als 0,5)
Nitratkonzentration oberhalb des natürlichen Gehaltes des Füllwassers in mg/l	max. 20
Gesamter organischer Kohlenstoff (TOC) in mg/l	max. 4,0
Redoxpotential gegen Ag/AgCl 3,5 m KCl in mV	min. 650
pH-Wert	6,8 bis 7,6
Freies aktives Chlor (ohne Cyanursäure) in mg/l	0,3 bis 1,5
Freies Chlor, verwendet in Verbindung mit Cyanursäure in mg/l	1,0 bis 3,0
Cyanursäure in mg/l	max. 100
Gebundenes Chlor in mg/l	max. 0,5 (vorzugsweise nahe bei 0,0 mg/l)

DEN POOL WINTERFEST MACHEN

Wenn Sie den Pool im Winter nicht abbauen möchten, beachten Sie bitte die folgenden Anweisungen:

WICHTIG: Lassen Sie nicht das gesamte Poolwasser ab. Falls Sie dies dennoch tun, kann der Pool durch starken Wind beschädigt werden. Lassen Sie das Wasser bis zu einer Höhe von 10cm unterhalb des Einlassventils an der Poolwand ab.


1. Lassen Sie das Wasser bis zu einer Höhe von 10cm unterhalb des Einlassventils an der Poolwand ab. Sie können hierzu eine Pumpe oder einen Gartenschlauch verwenden (Abbildung 28, 29).
2. Behandeln Sie das Poolwasser mit einem geeigneten Chemieprodukt.
3. Entfernen Sie das Filtersystem vom Pool. Die am Pool befestigten Einlass- und Auslassanschlüsse können dort verbleiben.
4. Entfernen Sie jegliches weitere Poolzubehör und lagern Sie es an einem trockenen und kühlen Ort.
5. Schützen Sie den Pool mit der Poolabdeckung.

Wenn Sie den Pool im Winter abbauen möchten, beachten Sie bitte die folgenden Anweisungen:

1. Entleeren Sie den Pool mit einem Gartenschlauch oder verwenden Sie eine Drainagepumpe, um den Pool zu leeren (Abbildung 28).
2. Reinigen Sie alle Teile des Pools mit einem Schwamm und einer Seife mit neutralem pH-Wert. Trocknen Sie sie anschließend und bewahren Sie alles ordentlich an einem trockenen und sauberen Ort auf.

OVAALIT HYDRIUM™-ALTAAT KÄYTTÖOPAS



Käy katsomassa Bestwayn YouTube-kanavaa 

Tuotenumero	Mitat	Setittyyppi	Lisävarusteet
#56586 #56583 #56587	16.4' x 12' x 48" (5.00m x 3.6m x 1.2m)	Maanpäällinen uima-allas paketti	<input checked="" type="checkbox"/> Suodatusjärjestelmä <input checked="" type="checkbox"/> Tikkaat <input checked="" type="checkbox"/> Maakangas
#56369 #56371 #56370	20' x 12' x 48" (6.10m x 3.6m x 1.2m)		
#56604 #56606	24' x 12' x 48" (7.40m x 3.6m x 1.2m)		

! VAROITUS!

Lue huolellisesti, ymmärrä ja noudata kaikkia tämän käyttöoppaan tietoja ennen uima-altaan asennusta ja käyttöä. Nämä varoitukset, ohjeet ja turvallisuusohjeet koskevat yleisiä vedessä virkistämisen riskejä, mutta ne eivät pysty kattamaan kaikkia riskejä ja vaaroja kaikissa tapauksissa. Ole aina varovainen, käytä tervettä järkeä ja hyvää arvostelukykyä, kun olet vedessä. Säilytä nämä tiedot myöhempää käyttöä varten.

Uimataidottomien turvallisuus

- Jatkuva, aktiivinen ja tarkkaavainen heikkojen uimareiden tai uimataidottomien valvonta pätevän aikuisen toimesta vaaditaan kaikkina aikoina (muistaen, että alle 5-vuotiaat lapset ovat suurimmassa hukkumisvaarassa).
- Määrää pätevä aikuinen valvomaan allasta joka kerta, kun sitä käytetään.
- Heikkojen uimareiden tai uimataidottomien tulisi käyttää henkilönsuojalaitteita altaassa.
- Kun allas ei ole käytössä tai se on vartioimaton, poista kaikki lelut altaasta ja sen ympäristöstä, jotta lapsilla ei olisi houkutusta mennä altaalle.

Turvalliset

- Jotta lapsia estettäisiin hukkumasta, suosittelemme sulkemaan pääsyn altaalle suojalaitteella. Jotta lapsia estettäisiin kipeämistä sisään- ja ulostuloventtiiliin, suosittelemme asentamaan esteen (ja lukitsemaan kaikki ovet ja ikkunat, kun sovellettavissa) luvattoman pääsyn estämiseksi altaaseen.
- Reunat, allaspeitteet, allashälyttimet tai vastaavat turvalaitteet ovat hyödyllisiä apuvälineitä, mutta ne eivät korvaa jatkuvaa ja pätevää aikuisen valvontaa.

Turvalliset

- Suosittelemme säilyttämään pelastuslaitteistoja (esim. pelastusrenkas) altaalla.
- Pidä toimiva puhelin ja luettelo hätäpuhelinnumeroista lähellä allasta.

Allaan turvallinen käyttö

- Kannusta kaikkia käyttäjiä, erityisesti lapsia opettelemaan uimaan.
- Opi perusensiapu (paineluelytyys) ja päivitä tätä osaamista säännöllisesti. Tämä voi pelastaa elämän hätätilanteessa.
- Ohjeista kaikkia allaan käyttäjiä, lapset mukaan lukien, mitä tehdä hätätilanteessa.
- Älä koskaan sukella altaan matalaan osaan. Tämä voi aiheuttaa vakavan vamman tai kuoleman.
- Älä käytä uima-allasta, kun käytät alkoholia tai lääkitystä, jotka voivat heikentää kykyäsi käyttää allasta turvallisesti.
- Kun allaspeitteitä käytetään, poista ne kokonaan altaan pinnalta ennen altaaseen menoa.
- Suojaa allaan käyttäjiä veteen liittyviltä sairauksilta pitämällä allaan vesi käsiteltynä ja noudattamalla hyviä hygieniakäytäntöjä. Katso vedenkäsitelyohjeita käyttöoppaasta.
- Säilytä kemikaalit (esim. vedenkäsitely-, puhdistus- tai desinfiointituotteet) poissa lasten ulottuvilta.

- Käytä alla esitettyjä opasteita. Opasteet on sijoitettava näkyvälle paikalle enintään 2 m altaasta.
- Älä jätä lapsia ilman valvontaa, kun lähistöllä on vettä. Ei sukeltamista.
- Irrotettavat tikkaat on sijoitettava tasaiselle pinnalle.
- Riippumatta altaan rakentamiseen käytetyistä materiaaleista, käytettävissä olevat pinnat on tarkastettava säännöllisesti vammojen välttämiseksi.
- Tarkasta pultit ja ruuvit säännöllisesti. Poista tikut tai muut terävät reunat vammojen välttämiseksi.

- **HUOMIO:** Älä jätä tyhjennettyä allasta ulos. Tyhjä altaan muoto voi vääristyä ja/tai allas voi siirtyä paikaltaan tuulen vuoksi.
- Jos suodatinpumppu asennetaan, noudata pumpun ohjekirjan ohjeita.

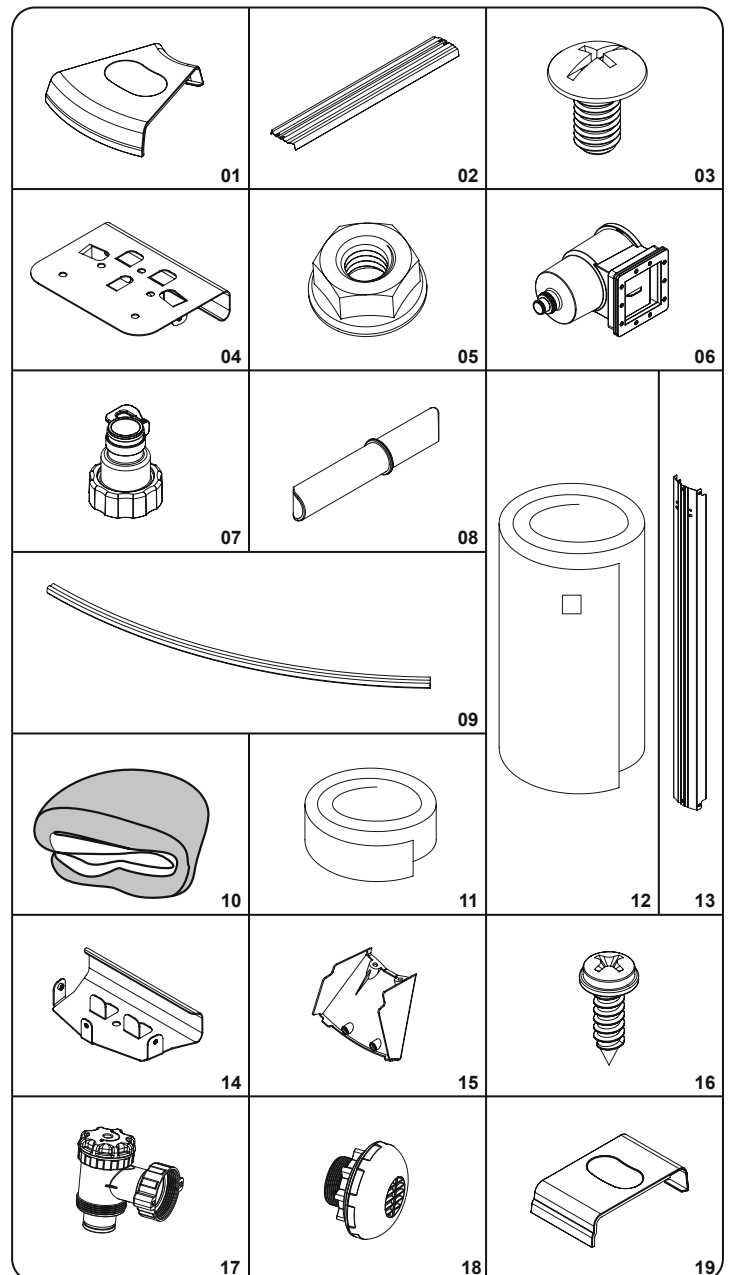
VAROITUS! Pumpua ei saa käyttää, kun altaassa on ihmisiä!
- Jos tikkaat asennetaan, noudata tikkaiden ohjekirjan ohjeita.

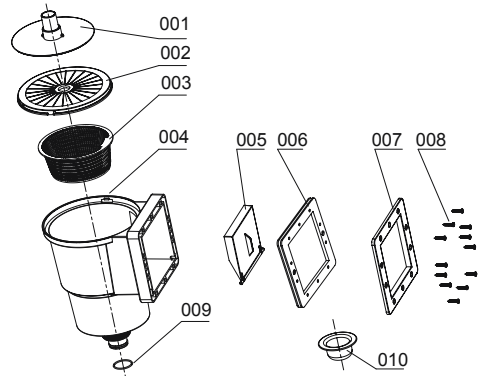
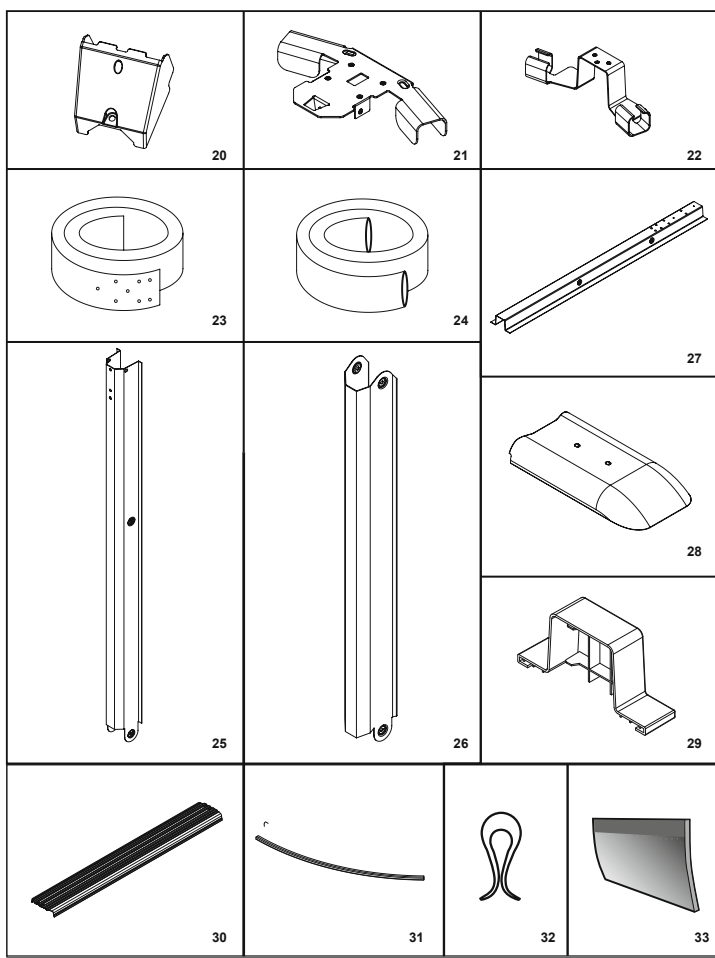
VAROITUS! Uima-altaan käyttö viittaa käyttö- ja huolto-oppaassa kuvattujen turvallisuusohjeiden noudattamiseen. Hukkumisen tai muiden vakavien vammojen estämiseksi kiinnitä erityistä huomiota alle 5-vuotiaiden lasten odottamattomaan pääsyyn altaalle lukitsemalla pääsy sille, ja uinnin aikana pätevän aikuisen on valvottava heitä jatkuvasti.

HUOMAA: Uima-allasta asennettaessa skimmerin asento tulisi olla tuulen pääsääntöisen suunnan vastaisesti. Tikkaat tulisi asettaa altaaseen skimmeristä pois päin.

Lue nämä tiedot huolellisesti ja säilytä mahdollista tulevaa tarvetta varten

Osaviite

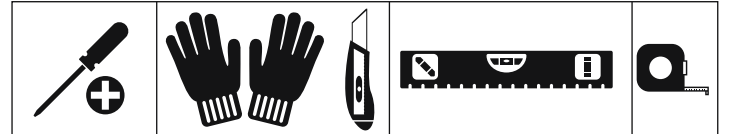




KUORIJAN OSALUETTELO

Nro	Nimi	Määrä	Varaosanro
001	Letkun kiinnitys	1	P6774
002	Suojus	1	P6991
003	Kori	1	P6776
004	Kuorija	1	P6777
005	Sulku	1	P6992
006	Tiiviste	1	P6993
007	Etulevy	1	P6780
008	M5x22-ruuvi	12	/
009	O-rengas	1	/
010	Tulppa	1	P6813

Tarvittavat työkalut (ei toimiteta mukana):



Asennus kestää yleensä noin 3 tuntia, kun asennuksessa on mukana 2-3 henkilöä. Aikaan ei lueta mukaan uima-altaan sijoituspaikan maan käsittelyä ja altaan täyttämistä.

Nro	Nimi	Materiaali	16.4' x 12' x 48"		20' x 12' x 48"		24' x 12' x 48"	
			Kpl	Varaosanro	Kpl	Varaosanro	Kpl	Varaosanro
1	Ylemmän liitoksen suojus	PP	8	P6743	8	P6743	8	P6743
2	Pitkä yläalusta	Pinnoitettu teräs	10	P6745	6	P6745	6	P6745
3	M6x11-pultti	Ruostumaton teräs 304	170	P6746	214	P6746	260	P6746
4	Ylempi metalliosa	Teräs	8	P6747	8	P6747	8	P6747
5	M6-mutteri	Ruostumaton teräs 304	52	P6748	74	P6748	98	P6748
6	Kuorija		1	P6762	1	P6762	1	P6762
7	Letkun sovitin		2	F6H202	2	F6H202	2	F6H202
8	Kiskoliitin	PP	32	P6990	32	P6990	32	P6990
9	Pitkä kisko	PVC	20	P61236	12	P61237	12	P61237
10	Allasmuovi	PVC	1	56286ASS16	1	56369ASS16	1	56604ASS17
11	Itsestäänkiinnittyvä 3M-teippi		1	P6756	1	P6756	1	P6756
12	Teräseinä	Pinnoitettu teräs	1	P61447	1	P61448	1	P61449
13	Altaan pystytuki	Pinnoitettu teräs	8	P6757	8	P6757	8	P6757
14	Pohjan metalliosa	Teräs	8	P6761	8	P6761	8	P6761
15	Alemman liitoksen suojus	PP	8	P6759	8	P6759	8	P6759
16	ST4x14-ruuvi	Ruostumaton teräs 304	22	P61491	28	P61491	34	P61491
17	Ohjausventtiili		1	P6(H1)1229	1	P6(H1)1229	1	P6(H1)1229
18	Altaan imusiviliä		1	P6H1317	1	P6H1317	1	P6H1317
19	Sivun yläliitos	PP	2	P6800	4	P6800	6	P6800
20	Sivun alaliitos	PP	2	P6801	4	P6801	6	P6801
21	Sivun ylämetalliosa	Teräs	2	P6802	4	P6802	6	P6802
22	Sivun alametalliosa	Teräs	2	P6826	4	P6826	6	P6826
23	Teräsvyö	Teräs	1	P6810	2	P6810	3	P6810
24	Teräsvyön suoja	PVC	1	P6811	2	P6811	3	P6811
25	Sivun pystytuki	Pinnoitettu teräs	2	P61249	4	P61249	6	P61249
26	Sivun vinotuki	Pinnoitettu teräs	2	P61250	4	P61250	6	P61250
27	Sivun pohjatuki	Teräs	2	P6827	4	P6827	6	P6827
28	Sisäpuolen pohjan suoja	PP	2	P6828	4	P6828	6	P6828
29	Sivun pohjasuoja	PP	2	P61251	4	P61251	6	P61251
30	Lyhyt yläalusta	Pinnoitettu teräs			6	P61234	8	P61234
31	Lyhyt kisko	PVC			12	P61238	16	P61238
32	Kiinnittimet	Muovi	20		20		20	
33	Solumuovi	EPE	8	P61473	8	P61473	8	P61473

SOPIVAN SIJAINNIN VALINTA

VAROITUS: Tasoittaminen on äärimmäisen tärkeää.

Valitse uuden altaasi sijainti huolellisesti. Tämä on kaikkein tärkein päätös, joka sinun on tehtävä varmistaaksesi altaan rakenteen turvallisuus ja onnistuminen. Väärä sijainti voi aiheuttaa jatkossa ongelmia, joista voisi olla seurauksena loukkaantuminen, kuolema tai taloudellinen tappio. Lue alla oleva tarkistuslista huolellisesti altaasi asennuspaikkaa valittaessa.

Hyväksyttävää:

Tasainen, vaakasuora, luja ja kuiva pohja ja helppo pääsy joka puolelle allasta
Suora auringonpaiste, mieluiten aamulla
Turvallinen sähköliitännät suodatinpumpun ja muiden altaan lisävarusteiden käyttöä varten
Helppo pääsy vesipisteelle
Tuulensuoja

Ei hyväksyttävää:

Kalteva, epätasainen maa
Hiekkainen, kivinen tai vetinen maa
Lähellä puurakenteita (esim. pergoloita ja katteita)
Puiden vieressä
Sähköjohtojen tai pyykkinarujen alapuolella
Viemärit, sähköjohdot tai kaasuputket altaan alla
Huono tai vähäinen salaojitus
Korkea tulvimisriski alueella
Tuuliset olosuhteet

HUOMAA: Maan poistaminen korkeammilta kohdilta on parempi vaihtoehto kuin matalien kohtien täyttäminen. Myös ruoho ja turve koko allasalueen alta on poistettava.

ALTAAN KOKOAMINEN

Katso kaavion vaiheet.

ALTAAN HUOLTO

Varoitus: Jos et noudata tässä annettuja kunnossapito-ohjeita, terveytesi ja erityisesti lapsiesi terveys voi vaarantua. Allasveden käsittely on oleellista käyttäjien turvallisuuden kannalta. Kemikaalien epäasianmukainen käyttö aiheuttaa omaisuusvahinkoja ja henkilövammoja.

HUOMAA: Pumppua käytetään kierrättämään vettä ja suodattamaan pienhiukkaset. Altaan veden pitämiseksi puhtaana ja hygieenisenä siihen on lisättävä kemikaaleja.

- Suosittellemme, että allasta ei täytetä valumavedellä, porausvedellä tai viemärivedellä. nämä vedet yleisesti sisältävät saastuneita orgaanisia aineita mukaan lukien nitraatit ja fosfaatit. Altaiden täyttöä vedellä julkisesta verkosta suositellaan.
- Pidä allas aina puhtaana ja käytä oikeita allaskemikaaleja. Epähygieeninen vesi on vakava terveysriski. Suosittelemme käyttämään desinfiointiainetta, hiutaloitamisainetta, happamia tai emäksisiä kemikaaleja altaan käsittelyyn.
- Puhdista PVC-allasmuovi säännöllisesti hankaamattomilla harjoilla tai allasimurilla.
- Vedensuodatusjärjestelmää on käytettävä koko kauden ajan päivittäin riittävän pitkään, jotta se ehtii puhdistaa kaiken altaassa olevan veden.
- Tarkasta suodatinpatruuna (tai hiekka hiekkasuodattimessa) säännöllisesti ja vaihda likaiset patruunat (tai hiekka).
- Tarkista ruuvit, pultit ja kaikki metalliosat säännöllisesti ruostumisen varalta. Vaihda tarvittaessa.
- Jos sataa, tarkista, ettei veden pinta ole korkeammalla kuin ohjeiden mukaisella tasolla. Jos veden pinta ylittää ohjeiden mukaisen tason, tyhjennä allasta ohjeiden mukaiselle tasolle.
- Älä käytä pumppua altaan ollessa käytössä.
- Peitä allas, kun sitä ei käytetä.
- Allasveden käsittelyn kannalta pH-arvo on erittäin tärkeä.

HUOMIO: Älä jätä tyhjennettyä allasta ulos.

Seuraavat parametrit varmistavat hyvän vedenlaadun

Parametrit	Arvot
Veden kirkkaus	selkeä näkyvyys altaan pohjaan
Veden väri	mitään väriä ei saisi havaita
Sameus FNU/NTU:ssa	maks 1,5 (mieluiten alle 0,5)
Nitraattipitoisuus enemmän kuin täyttövedessä mg/l	maks. 20
Orgaanisen hiilen kokonaismäärä (TOC) mg/l	maks. 4,0
Redoksimateriaali vastaan Ag/AgCl 3,5 m KCl mV:ssä	väh. 650
pH-arvo	6,8 - 7,6
Vapaa aktiivinen kloori (ilman syanurihappoa) mg/l	0,3 - 1,5
Vapaa kloori käytettynä yhdessä syanuri-hapon kanssa mg/l	1,0 - 3,0
Syanurihappoa mg/l	maks. 100
Yhdistetty kloori mg/L	maks. 0,5 (mieluiten lähellä 0,0 mg/l)

TALVIKUNTOON SAATTAMINEN

Jos et halua purkaa allasta talveksi, noudata seuraavia ohjeita:

TÄRKEÄÄ: Älä tyhjennä allasta kokonaan vedestä. Jos teet näin, allas voi vaurioitua kovasta tuulesta. Laske vettä pois, kunnes veden pinta yltää 10 cm altaan seinässä olevan tuloventtiin alapuolelle.

- Laske vettä pois, kunnes veden pinta yltää 10 cm altaan seinässä olevan tuloventtiin alapuolelle. Voit käyttää pumppua tai puutarhaletkua (kaavio 28,29).
- Käsittele allaan vesi sopivalla kemiallisella tuotteella.
- Poista suodatinjärjestelmä altaasta. Voit jättää tulo-/poistoliittimet kiinni altaaseen.
- Poista myös mahdolliset muut altaan lisävarusteet ja säilytä ne kuivassa ja viileässä.
- Suojaa allas altaan suojuksella.

Jos haluat purkaa allasta talveksi, noudata seuraavia ohjeita:

- Tyhjennä allas puutarhaletkulla, tai käytä tyhjennuspumppua altaan tyhjennykseen (kaavio 28).
- Puhdista jokainen allaan osa sienellä ja saippualla, jonka pH-arvo on neutraali. Kuivaa ne ja säilytä kuivassa ja puhtaassa paikassa.

HYDRIMUM™ OVALE ZWEMBADEN HANDLEIDING



Bezoek het Bestway YouTube-kanaal

Itemnr.	Afmeting	Kittyte	Accessoires
#56586 #56583 #56587	16.4' x 12' x 48" (5.00m x 3.6m x 1.2m)	Bovengronds zwembad kit	<input checked="" type="checkbox"/> Filtratiesysteem <input checked="" type="checkbox"/> Ladder <input checked="" type="checkbox"/> Grondzeil
#56369 #56371 #56370	20' x 12' x 48" (6.10m x 3.6m x 1.2m)		
#56604 #56606	24' x 12' x 48" (7.40m x 3.6m x 1.2m)		

! WAARSCHUWING!

Lees, begrijp en volg zorgvuldig alle informatie in deze gebruikershandleiding vooraleer het zwembad te installeren en te gebruiken. Deze waarschuwingen, instructies en veiligheidsrichtlijnen gaan over sommige courante risico's van waterrecreatie, maar ze omvatten niet alle risico's en gevaren in alle gevallen. Wees altijd voorzichtig en gebruik gezond verstand en beoordelingsvermogen wanneer u van wateractiviteiten geniet. Bewaar deze informatie voor toekomstig gebruik.

Veiligheid van niet-zwemmer

- Continu, actief en waakzaam toezicht van zwakke zwemmers en niet-zwemmers door een competente volwassene is altijd vereist (denk eraan dat kinderen onder de vijf jaar oud het hoogste risico op verdrinking lopen).
- Duid een competente volwassene aan om toezicht te houden op het zwembad telkens wanneer het gebruikt wordt.
- Zwakke zwemmers of niet-zwemmers zouden persoonlijke beschermingsuitrusting moeten dragen wanneer ze het zwembad gebruiken.
- Wanneer het zwembad niet in gebruik is of er geen toezicht is, verwijder alle speelgoed uit het zwembad en zijn omgeving om te vermijden kinderen aan te trekken naar het zwembad.

Veiligheidsmiddelen

- Ten einde verdrinking van kinderen te vermijden, is het aanbevolen om de toegang tot het zwembad te beveiligen met een beschermingselement. Ten einde te voorkomen dat kinderen van de invoer- en afvoerklappen klimmen, is het aanbevolen een barrière te installeren (in alle deuren en vensters waar van toepassing te beveiligen) om onbevoegde toegang tot het zwembad te voorkomen.
- Barrières, zwembadafdekkingen, zwembadalarmen of gelijkaardige veiligheidsmiddelen zijn nuttige hulpmiddelen, maar het zijn geen vervangingen voor een continu en competent toezicht door volwassenen.

Veiligheidsapparatuur

- Het is aanbevolen om reddingsapparatuur (bijv. een ring-boei) nabij het zwembad te hebben.
- Houd ook een werkende telefoon en een lijst met noodnummers nabij het zwembad.

Veilig gebruik van het zwembad

- Moedig alle gebruikers vooral kinderen aan om te leren zwemmen.
- Leer om te reanimeren (cardiopulmonaire reanimatie - CPR) en vernieuw deze kennis regelmatig. Dit kan een levensreddend verschil uitmaken in een noodgeval.
- Onderricht alle zwembadgebruikers, inbegrepen kinderen, wat te doen in een noodgeval.
- Duik nooit in ondiep water. Dit kan leiden tot ernstige verwondingen of tot de dood.
- Gebruik het zwembad niet wanneer u alcohol of medicatie gebruikt die uw vermogen om het zwembad veilig te gebruiken, zou kunnen aantasten.
- Wanneer zwembadafdekkingen gebruikt worden, verwijder deze volledig uit het wateroppervlak voor u in het zwembad gaat.
- Bescherm de zwembadgebruikers tegen met water verband houdende ziekten door het zwembadwater behandeld te houden en goede hygiëne in acht te nemen. Raadpleeg de richtlijnen voor waterbehandeling in de gebruikershandleiding.
- Bewaar chemicaliën (bijv. voor waterbehandeling of reinigings- en ontsmettingsproducten) buiten het bereik van kinderen.

- Gebruik de aanduidingsborden zoals hieronder aangegeven. Er moeten aanduidingsborden staan in een prominente positie binnen de 2m van het zwembad.
- Houd de kinderen onder toezicht in de wateromgeving. Niet duiken.
- Er moeten verwijderbare ladders staan op een horizontaal oppervlak.
- Ongeacht de gebruikte materialen voor de zwembadconstructie, moeten de toegankelijke oppervlakken regelmatig gecontroleerd worden om verwondingen te vermijden.
- Controleer regelmatig bouten en schroeven, verwijder splinters of andere scherpe randen om verwondingen te vermijden.

- **AANDACHT!** Laat het leeggelopen zwembad niet buiten staan. Het lege zwembad kan vervormd en/of verplaatst worden omwille van de wind.
- Als u een filterpomp hebt, raadpleeg de handleiding van de pomp voor instructies.

WAARSCHUWING! De pomp kan niet worden gebruikt wanneer er zich mensen in het zwembad bevinden!

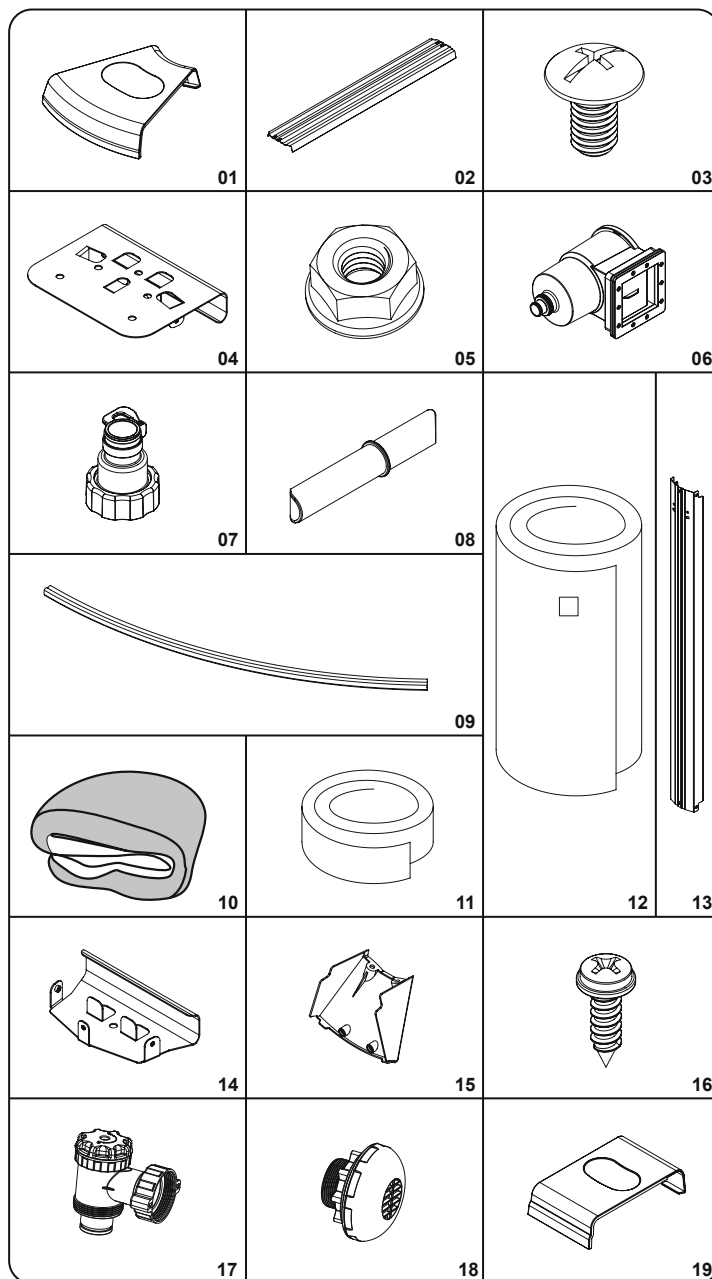
- Als u een ladder hebt, raadpleeg de handleiding van de ladder voor instructies.

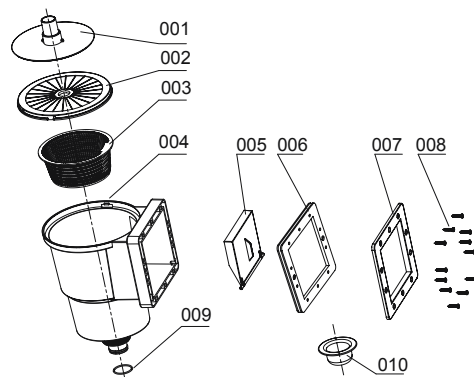
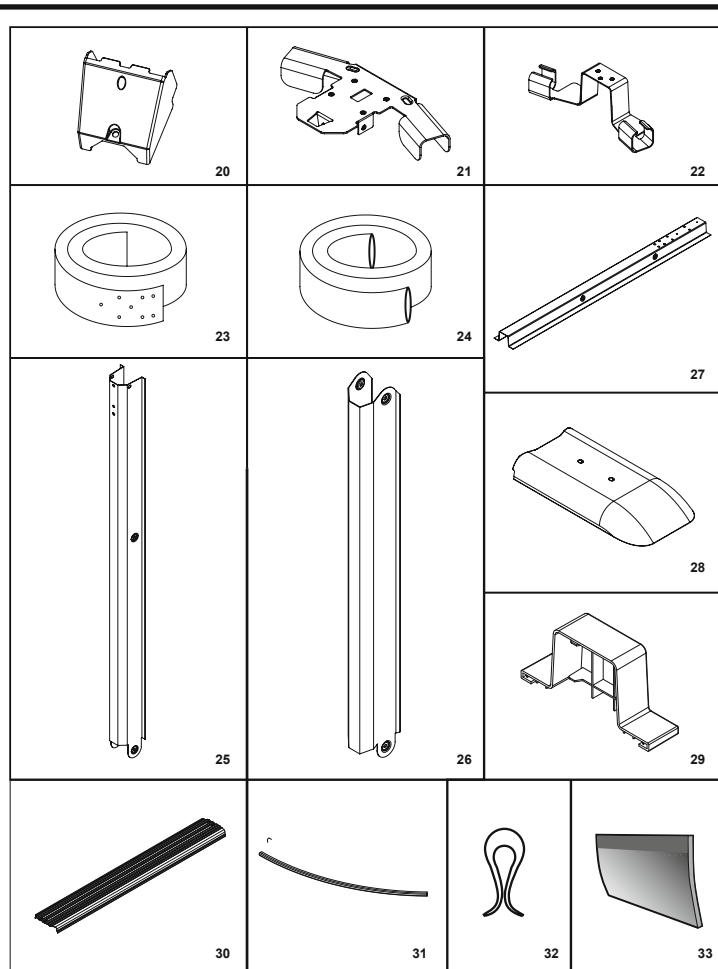
WAARSCHUWING! Het gebruik van een zwembadkit impliceert het naleven van de veiligheidsinstructies beschreven in de gebruiks- en onderhoudshandleiding. Ten einde verdrinking of andere ernstige verwondingen te vermijden, moet u bijzondere aandacht verlenen aan de mogelijkheid van een onverwachte toegang tot het zwembad door kinderen jonger dan 5 jaar door de toegang ertoe te beveiligen en de kinderen tijdens het zwemmen voortdurend onder toezicht te houden van volwassenen.

OPMERKING: Bij installatie van het zwembad moet de skimmer tegenovergesteld van de belangrijkste windrichting zijn geplaatst zijn. De ladder in het zwembad moet weg van de skimmer gericht zijn.

Zorgvuldig lezen en bewaren voor toekomstige referentie

Onderdelenreferentie

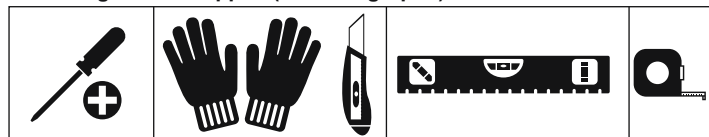




ONDERDELENLIJST VAN DE SKIMMER

Nr.	Naam	Hoeveelheid	Reserveonderdeel nr.
001	Slangbevestiging	1	P6774
002	Afdekking	1	P6991
003	Mand	1	P6776
004	Skimmer	1	P6777
005	Weir	1	P6992
006	Afdichting	1	P6993
007	Vlakplaat	1	P6780
008	M5x22 schroef	12	/
009	O-ring	1	/
010	Plug	1	P6813

Vereiste gereedschappen (niet inbegrepen):



De installatie vergt meestal ongeveer 3 uur met 2-3 mensen exclusief grondwerken en vullen.

Nr.	Naam	Materiaal	16.4' x 12' x 48"		20' x 12' x 48"		24' x 12' x 48"	
			Hoev	Reserveonderdeel nr.	Hoev	Reserveonderdeel nr.	Hoev	Reserveonderdeel nr.
1	Bovenste naadafscherming	PP	8	P6743	8	P6743	8	P6743
2	Lang bovenste platform	Bekleed staal	10	P6745	6	P6745	6	P6745
3	M6x11 bout	Roestvrij staal 304	170	P6746	214	P6746	260	P6746
4	Bovenste metalen stuk	Staal	8	P6747	8	P6747	8	P6747
5	M6 moer	Roestvrij staal 304	52	P6748	74	P6748	98	P6748
6	Skimmer		1	P6762	1	P6762	1	P6762
7	Slangadapter		2	F6H202	2	F6H202	2	F6H202
8	Railconnector	PP	32	P6990	32	P6990	32	P6990
9	Lange rail	PVC	20	P61236	12	P61237	12	P61237
10	Bekleding	PVC	1	56286ASS16	1	56369ASS16	1	56604ASS17
11	3M Zelfklevende plakband		1	P6756	1	P6756	1	P6756
12	Stalen wand	Bekleed staal	1	P61447	1	P61448	1	P61449
13	Verticale steun zwembad	Bekleed staal	8	P6757	8	P6757	8	P6757
14	Onderste metalen stuk	Staal	8	P6761	8	P6761	8	P6761
15	Onderste naadafscherming	PP	8	P6759	8	P6759	8	P6759
16	ST4x14 schroef	Roestvrij staal 304	22	P61491	28	P61491	34	P61491
17	Regelklep		1	P6(H1)1229	1	P6(H1)1229	1	P6(H1)1229
18	Waterinvoerzeef		1	P6H1317	1	P6H1317	1	P6H1317
19	Bovenste naad zijkant	PP	2	P6800	4	P6800	6	P6800
20	Onderste naad zijkant	PP	2	P6801	4	P6801	6	P6801
21	Bovenste metalen stuk zijkant	Staal	2	P6802	4	P6802	6	P6802
22	Onderste metalen stuk zijkant	Staal	2	P6826	4	P6826	6	P6826
23	Stalen band	Staal	1	P6810	2	P6810	3	P6810
24	Stalen bandafdekking	PVC	1	P6811	2	P6811	3	P6811
25	Verticale steun zijkant	Bekleed staal	2	P61249	4	P61249	6	P61249
26	Schuine steun zijkant	Bekleed staal	2	P61250	4	P61250	6	P61250
27	Schuine steun zijkant	Staal	2	P6827	4	P6827	6	P6827
28	Onderste afscherming binnenkant	PP	2	P6828	4	P6828	6	P6828
29	Onderste afscherming zijkant	PP	2	P61251	4	P61251	6	P61251
30	Kort onderste platform	Bekleed staal			6	P61234	8	P61234
31	Korte Rail	PVC			12	P61238	16	P61238
32	Clips	Plastic	20		20		20	
33	Schuimbeschermer	EPE	8	P61473	8	P61473	8	P61473

EEN GESCHIKTE PLAATS SELECTEREN

WAARSCHUWING: Het zwembad maken is bijzonder belangrijk.

Selecteer zorgvuldig de plaats voor uw nieuw zwembad. Dit is de belangrijkste beslissing die u moet maken om de veiligheid en het succes van uw zwembadconstructie te verzekeren. Een slecht gekozen plaats kan problemen veroorzaken in de toekomst met verwondingen, dood of financieel verlies tot gevolg. Lees zorgvuldig de onderstaande controlelijst wanneer u kiest waar u het zwembad wilt installeren. asennuspaikkaa valittaessa.

Aanvaardbaar:

- Vlakke, waterpas, stevige en droge ondergrond met een gemakkelijke toegang naar alle kanten van het zwembad
- Blootgesteld aan direct zonlicht, bij voorkeur 's ochtends
- Veilige toegang tot elektriciteit voor de werking van de filterpomp en andere zwembadaccessoires
- Gemakkelijke toegang tot een waterbron
- Bescherming tegen wind

Onaanvaardbaar:

- Schuine, oneffen grond
- Zandachtige, rotsachtige of doorweekte grond
- Dicht bij een houten constructie (bijv. pergola's en houten verandavloer)
- Naast bomen
- Overhangende kabels of waslijnen
- Afvoeren, elektrische kabels of gasbuizen onder de plaats
- Slechte of weinig afvoer
- Locaties met hoog risico op overstroming
- Omstandigheden met veel wind

OPMERKING: Verwijder het teveel aan aarde veeleer dan lager liggende aarde op te vullen. Alle gras en zodes onder het volledige zwembadgebied moeten verwijderd worden.

ZWEMBADMONTAGE

Raadpleeg de diagramstappen.

ZWEMBADONDERHOUD

Waarschuwing: Als u zich niet houdt aan de onderhoudsrichtlijnen hierin, kan uw gezondheid risico's lopen, vooral deze van kinderen. De behandeling van zwembadwater is essentieel voor de veiligheid van de gebruikers. Het niet correct gebruik van chemicaliën kan schade aan eigendommen en persoonlijke verwondingen veroorzaken.

OPMERKING: De pomp wordt gebruikt om het water te circuleren en om de kleine deeltjes te filteren. U moet ook chemicaliën toevoegen om uw water proper en hygiënisch te houden.

- Het is aanbevolen om het zwembad niet te vullen met draineerwater, boorwater, of draineerwater van een waterput. Deze waters bevatten in het algemeen vervuilde organische stoffen inbegrepen nitraten en fosfaten. Het is aan te raden zwembaden te vullen met water van het openbaar net.
- Houd uw zwembad proper en gebruik de juiste chemicaliën voor zwembaden. Niet hygiënisch water is een ernstig gezondheidsgevaar. Het is aanbevolen om ontsmettings-, flocculatie, zure of alkali chemicaliën te gebruiken voor het behandelen van uw zwembad.
- Reinig regelmatig de PVC bekleding met niet-schurende borstels of met een zwembadstofzuiger.
- Het waterfiltratiesysteem moet heel het seizoen elke dag voldoende lang werken om het volledige watervolume van het zwembad te reinigen.
- Controleer de filtercassette (of zand in een zandfilter) regelmatig en vervang vuile cassettes (of zand).
- Controleer regelmatig de schroeven, bouten en alle metalen onderdelen op roest. Vervang indien nodig.
- Als het regent, controleer dat het waterniveau niet hoger is dan het opgegeven niveau. Als het waterniveau het opgegeven niveau overschrijdt, voer dan water af tot het opgegeven niveau bereikt is.
- Gebruik de pomp niet wanneer het zwembad in gebruik is.
- Dek het zwembad af wanneer het niet in gebruik is.
- Voor de behandeling van zwembadwater is de pH-waarde zeer belangrijk.

AANDACHT: Laat het leeggelopen zwembad niet buiten staan. De volgende parameters verzekeren een goede waterkwaliteit

Parameters	Waarden
Waterhelderheid	duidelijk zicht van de bodem van het zwembad
Kleur van het water	er mag geen kleur worden geobserveerd
Turbiditeit in FNU/NTU	max. 1,5 (bij voorkeur minder dan 0,5)
Nitratconcentratie boven die van vulwater in mg/l	max. 20
Totaal organische koolstof (TOC) in mg/l	max. 4,0
Redoxpotentiaal tegen Ag/AgCl 3,5 m KCl in mV	min. 650
pH-waarde	6,8 tot 7,6
Vrij werkzaam chloor (zonder cyaanuurzuur) in mg/l	0,3 tot 1,5
Vrij werkzaam chloor in combinatie met cyaanuurzuur in mg/l	1,0 tot 3,0
Cyanuurzuur in mg/l	max. 100
Gecombineerd chloor in mg/l	max. 0,5 (bij voorkeur dicht bij 0,0 mg/l)

KLAARMAKEN VOOR DE WINTER

Als u het zwembad tijdens de winter niet wilt afbreken, volg dan de volgende instructies:

BELANGRIJK: Laat niet al het zwembadwater weglopen. Als u dit wel doet, kan het zwembad beschadigd worden door sterke wind. Laat het water weglopen tot op 10 cm onder de invoerlep op de zwembadwand.

- Laat het water weglopen tot op 10 cm onder de invoerlep op de zwembadwand. U kunt een pomp of een tuinslang gebruiken. (Diagram 28, 29).
- Behandel het zwembadwater met een geschikt chemisch product.
- Verwijder het filtratiesysteem van het zwembad. U kunt de invoer/afvoer bevestigd laten aan het zwembad.
- Verwijder ook alle andere accessoires en berg ze op in een droge en koele plaats.
- Bescherm het zwembad met een afdekking.

Als u het zwembad tijdens de winter wilt afbreken, volg dan de volgende instructies:

- Laat het water uit het zwembad weglopen met een tuinslang, of gebruik een afvoerpomp om het zwembad leeg te maken (Diagram 28).
- Reinig alle zwembadonderdelen met een spons en een zeep met een neutrale pH. Droog ze en berg ze op een droge en propere plaats op.

PISCINE OVALI HYDRIMUM™ MANUALE D'USO



Visita il canale Bestway su YouTube

N. articolo	Dimensioni	Tipo kit	Accessori
#56586 #56583 #56587	16.4' x 12' x 48" (5.00m x 3.6m x 1.2m)	Kit piscina fuori terra	<input checked="" type="checkbox"/> Sistema di filtraggio <input checked="" type="checkbox"/> Scaletta <input checked="" type="checkbox"/> Telone
#56369 #56371 #56370	20' x 12' x 48" (6.10m x 3.6m x 1.2m)		
#56604 #56606	24' x 12' x 48" (7.40m x 3.6m x 1.2m)		

! AVVERTENZA!

Leggere attentamente, comprendere e seguire tutte le informazioni in questo manuale prima di installare ed utilizzare la piscina. Queste avvertenze, istruzioni e linee guida di sicurezza trattano alcuni rischi comuni dello svago in acqua, ma non possono coprire tutti i rischi e pericoli in tutti i casi. Fare sempre attenzione e usare buon senso e giudizio durante i giochi in piscina. Conservare questo opuscolo per futuri riferimenti.

Sicurezza dei non nuotatori

- È necessaria la sorveglianza continua, attiva e vigile dei nuotatori poco esperti e non nuotatori da parte di un adulto competente (ricordando che i bambini sotto i cinque anni sono a più alto rischio di annegamento).
- Designare un adulto competente che sorvegli la piscina ad ogni utilizzo.
- I nuotatori poco esperti e i non nuotatori devono indossare dispositivi di protezione individuale durante l'uso della piscina.
- Quando la piscina è inutilizzata o non sorvegliata, rimuovere tutti i giocattoli dalla piscina e dai suoi dintorni per evitare di attirare i bambini verso la piscina.

Dispositivi di sicurezza

- Per evitare il rischio di annegamento dei bambini, si raccomanda di proteggere l'accesso alla piscina con un dispositivo di sicurezza. Al fine di evitare che i bambini si arrampichino dalla valvola di ingresso e di uscita, si raccomanda di installare una barriera (e proteggere tutte le porte e le finestre, se possibile) per impedire l'accesso non autorizzato alla piscina.
- Barriere, coperture e allarmi per piscine, o simili dispositivi di sicurezza sono utili, ma non possono sostituire la sorveglianza continua e competente di un adulto.

Attrezzatura di sicurezza

- Si raccomanda di tenere le attrezzature di sicurezza (ad es. galleggianti) in prossimità della piscina.
- Tenere un telefono funzionante e un elenco di numeri di emergenza vicino alla piscina.

Uso sicuro della piscina

- Incoraggiare tutti gli utenti e in particolare i bambini ad imparare a nuotare.
- Imparare le tecniche di primo soccorso (rianimazione cardiopolmonare - RCP) e aggiornare regolarmente le proprie conoscenze. Ciò può fare la differenza e salvare vite umane in caso di emergenza.
- Informare tutti gli utenti della piscina, compresi i bambini, delle procedure da adottare in caso di emergenza.
- Non tuffarsi in bacini d'acqua poco profondi. Ciò potrebbe causare lesioni gravi, anche fatali.
- Non usare la piscina se sono stati assunti alcol o farmaci che potrebbero compromettere la capacità di utilizzare in modo sicuro la piscina.
- Quando si utilizzano le coperture per piscina, rimuoverle completamente dalla superficie dell'acqua prima di entrare in piscina.
- Proteggere gli occupanti della piscina da malattie legate all'acqua, mantenendo l'acqua della piscina trattata e in buone condizioni igieniche. Consultare le linee guida per il trattamento dell'acqua contenute nel manuale utente.
- Conservare i prodotti chimici (es. trattamento dell'acqua, prodotti per la pulizia e la disinfezione) fuori dalla portata dei bambini.
- Utilizzare la segnaletica come indicato di seguito. La segnaletica deve

- essere esposta in modo visibile entro il raggio di 2 m dalla piscina.
- Quando i bambini sono in acqua, sorvegliarli continuamente. Non tuffarsi.
- Le scalette rimovibili devono essere collocate su una superficie orizzontale.
- Indipendentemente dai materiali utilizzati per la costruzione della piscina, le superfici accessibili devono essere controllate regolarmente per evitare infortuni.
- Controllare regolarmente i bulloni e le viti; rimuovere schegge o bordi appuntiti per evitare lesioni.

- **ATTENZIONE:** Non lasciare la piscina svuotata all'aperto. La piscina vuota rischia di deformarsi e/o di spostarsi a causa del vento.
- Se è presente una pompa filtrante, fare riferimento al relativo manuale di istruzioni.

AVVERTENZA! Non adoperare la pompa quando le persone si trovano nella piscina!

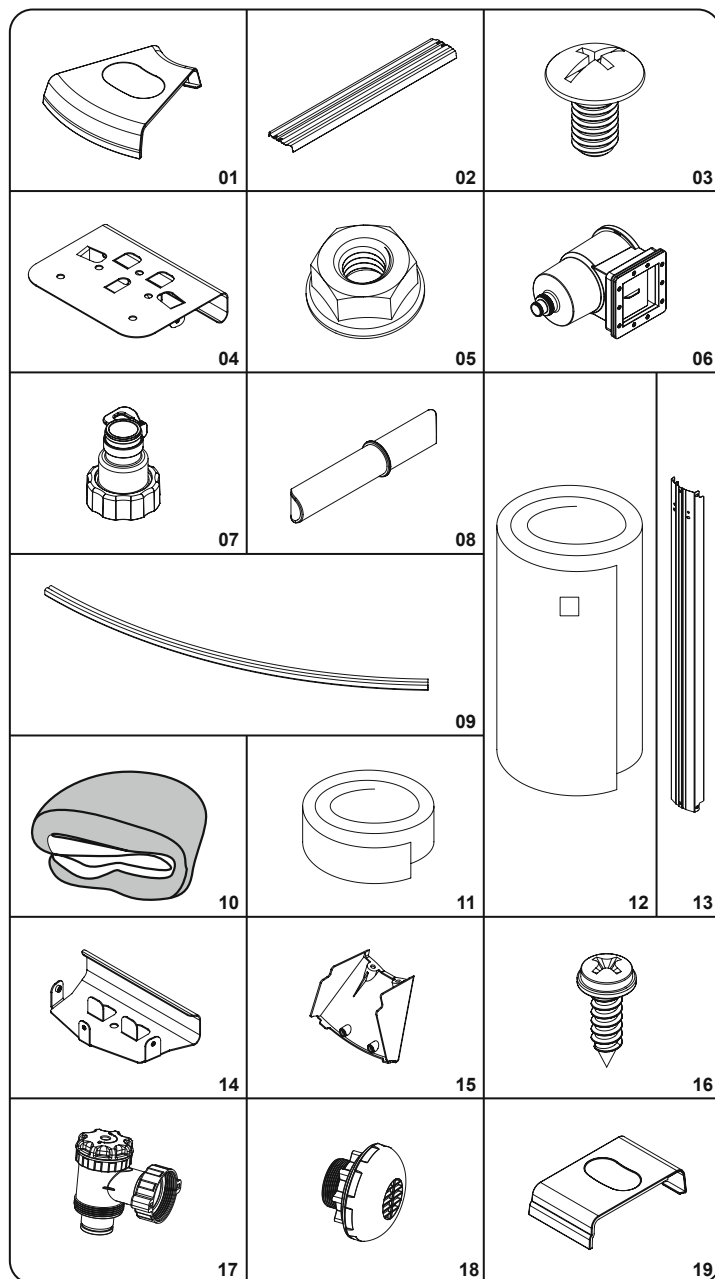
- Se è presente una scaletta, fare riferimento al relativo manuale di istruzioni.

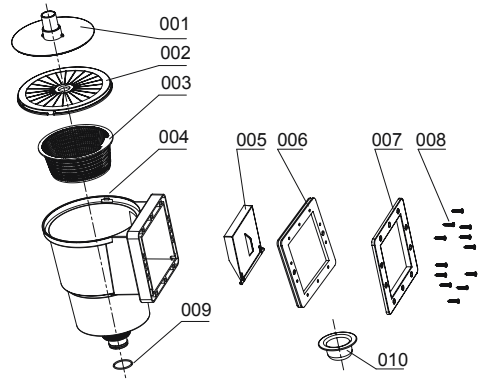
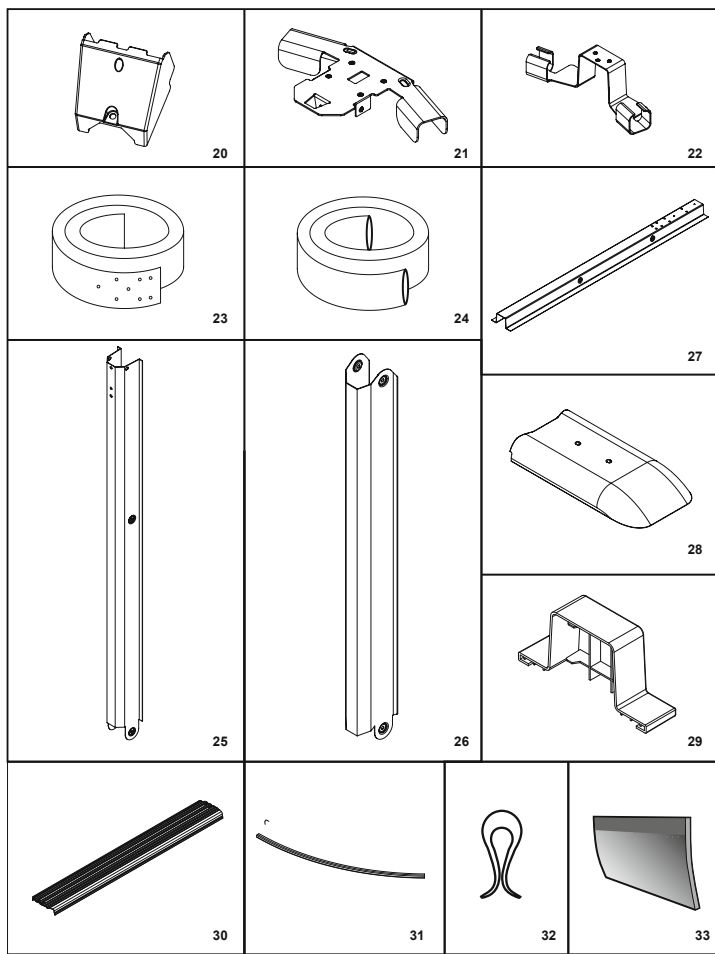
AVVERTENZA! Per utilizzare la piscina è obbligatorio attenersi alle istruzioni relative alla sicurezza riportate nella guida per l'uso e la manutenzione. Al fine di prevenire l'annegamento o altre gravi lesioni, prestare particolare attenzione alla possibilità di accesso inatteso alla piscina da parte di bambini sotto i 5 anni rendendo sicuro l'accesso alla stessa e, durante il bagno, tenerli sotto la costante sorveglianza di un adulto.

NOTA: Al momento dell'installazione della piscina, la posizione dello skimmer deve essere opposta alla direzione principale del vento. La scaletta deve essere posizionata nella piscine lontano dallo skimmer.

Leggere attentamente e conservare per futuri riferimenti

Riferimento dei componenti

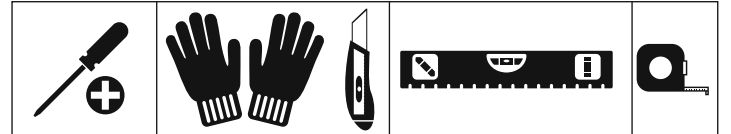




ELENCO COMPONENTI SKIMMER

N.	Nome	Quantità	N. ricambio
001	Fissaggio manicotto	1	P6774
002	Coperchio	1	P6991
003	Cestello	1	P6776
004	Skimmer	1	P6777
005	Chiusura	1	P6992
006	Guarnizione	1	P6993
007	Piastra frontale	1	P6780
008	Vite M5 x 22	12	/
009	Guarnizione toroidale	1	/
010	Tappo	1	P6813

Utensili necessari (non inclusi):



L'installazione generalmente può essere effettuata da 2-3 persone e richiede circa 3 ore, esclusa la preparazione e il riempimento del terreno.

N.	Nome	Materiale	16.4' x 12' x 48"		20' x 12' x 48"		24' x 12' x 48"	
			Qtà	N. ricambio	Qtà	N. ricambio	Qtà	N. ricambio
1	Protezione del giunto superiore	Polipropilene (PP)	8	P6743	8	P6743	8	P6743
2	Piattaforma superiore lunga	Acciaio rivestito	10	P6745	6	P6745	6	P6745
3	Bullone M6 x 11	Acciaio inox 304	170	P6746	214	P6746	260	P6746
4	Piastra metallica superiore	Acciaio	8	P6747	8	P6747	8	P6747
5	Dado M6	Acciaio inox 304	52	P6748	74	P6748	98	P6748
6	Skimmer		1	P6762	1	P6762	1	P6762
7	Adattatore tubo		2	F6H202	2	F6H202	2	F6H202
8	Connettore guida	Polipropilene (PP)	32	P6990	32	P6990	32	P6990
9	Guida lunga	PVC	20	P61236	12	P61237	12	P61237
10	Rivestimento	PVC	1	56286ASS16	1	56369ASS16	1	56604ASS17
11	Nastro autoadesivo 3M		1	P6756	1	P6756	1	P6756
12	Parete in acciaio	Acciaio rivestito	1	P61447	1	P61448	1	P61449
13	Supporto verticale della piscina	Acciaio rivestito	8	P6757	8	P6757	8	P6757
14	Piastra metallica inferiore	Acciaio	8	P6761	8	P6761	8	P6761
15	Protezione del giunto inferiore	Polipropilene (PP)	8	P6759	8	P6759	8	P6759
16	Vite ST4 x 14	Acciaio inox 304	22	P61491	28	P61491	34	P61491
17	Valvola di controllo		1	P6(H1)1229	1	P6(H1)1229	1	P6(H1)1229
18	Filtro ingresso piscina		1	P6H1317	1	P6H1317	1	P6H1317
19	Protezione del giunto laterale	Polipropilene (PP)	2	P6800	4	P6800	6	P6800
20	Giunto inferiore laterale	Polipropilene (PP)	2	P6801	4	P6801	6	P6801
21	Piastra metallica superiore	Acciaio	2	P6802	4	P6802	6	P6802
22	Piastra metallica inferiore laterale	Acciaio	2	P6826	4	P6826	6	P6826
23	Fascia in acciaio	Acciaio	1	P6810	2	P6810	3	P6810
24	Coperchio fascia in acciaio	PVC	1	P6811	2	P6811	3	P6811
25	Supporto verticale della piscina	Acciaio rivestito	2	P61249	4	P61249	6	P61249
26	Supporto obliquo della piscina	Acciaio rivestito	2	P61250	4	P61250	6	P61250
27	Supporto inferiore della piscina	Acciaio	2	P6827	4	P6827	6	P6827
28	Protezione inferiore interna	Polipropilene (PP)	2	P6828	4	P6828	6	P6828
29	Protezione inferiore laterale	Polipropilene (PP)	2	P61251	4	P61251	6	P61251
30	Piattaforma superiore corta	Acciaio rivestito			6	P61234	8	P61234
31	Guida corta	PVC			12	P61238	16	P61238
32	Mollette	Plastica	20		20		20	
33	Protezione in schiuma	EPE	8	P61473	8	P61473	8	P61473

SCELTA DEL LUOGO IDONEO

AVVERTENZA: Il livellamento è particolarmente importante.

Scegliere con attenzione il luogo più adatto dove collocare la nuova piscina. La decisione è particolarmente importante per fini della sicurezza e dell'esito del montaggio e dell'uso della piscina. Un luogo inappropriato potrebbe in futuro causare lesioni anche letali e danni ai beni. Leggere attentamente la lista di controllo in basso prima di scegliere il luogo idoneo.

Luoghi adatti:

Suolo piano, a livello, solido e asciutto, che consente un accesso facile da tutti i lati della piscina

Esposizione diretta alla luce solare, preferibilmente a quella del mattino

Accesso sicuro all'elettricità per l'uso della pompa filtrante e altri accessori della piscina

Fonte idrica facilmente accessibile

Protezione dal vento

Evitare:

Terreno irregolare e in pendenza

Terreno sabbioso, roccioso o umido

Vicinanza di costruzioni in legno (ad esempio pergole e porticati)

Vicinanza di alberi

Presenza di cavi sospesi e fili stendibiancheria

Presenza di scarichi, cavi elettrici o tubature del gas interrate

Scarico drenaggio delle acque

Luogo a rischio di inondazione

Vento eccessivo

NOTA: È preferibile rimuovere il terreno eccedente invece di riempire con quello mancante. Rimuovere l'erba e le zolle di terra sotto l'intera area della piscina.

MONTAGGIO DELLA PISCINA

Fare riferimento ai passaggi illustrati nella figura.

MANUTENZIONE DELLA PISCINA

Avvertenza: Attenersi scrupolosamente alle presenti istruzioni relative alla manutenzione per scongiurare lesioni personali, specialmente per i bambini. Il trattamento dell'acqua della piscina è essenziale per la sicurezza degli utenti. Un uso errato dei prodotti chimici può causare danni a cose e persone.

NOTA: La pompa serve a far circolare l'acqua e a filtrare le piccole particelle.

Per garantire la pulizia e l'igiene della piscina, è necessario aggiungere prodotti chimici.

1. Si consiglia di non riempire la piscina con acqua di captazione, acqua di perforazione, o di pozzo di drenaggio: queste acque in genere contengono sostanze organiche inquinanti compresi nitrati e fosfati. Si consiglia di riempire le piscine con acqua della rete pubblica.
2. Tenere l'acqua sempre pulita e utilizzare prodotti chimici per la pulizia delle piscine. La mancanza di igiene dell'acqua può essere rischiosa per la salute. Si consiglia di utilizzare disinfettanti, flocculanti, acidi o prodotti chimici alcalini per trattare la piscina.
3. Pulire regolarmente il rivestimento in PVC con un aspiratore per piscine e spazzole non abrasive.
4. Per tutta la stagione estiva, il sistema di filtraggio dell'acqua deve essere azionato ogni giorno per pulire tutta l'acqua della piscina.
5. Controllare la cartuccia del filtro (o la sabbia in un filtro a sabbia) regolarmente e sostituire le cartucce sporche (o la sabbia).
6. Accertarsi regolarmente che le viti, i bulloni e le parti metalliche siano prive di ruggine. Se necessario, sostituire i componenti arrugginiti.
7. Quando piove, accertarsi che l'acqua non superi il livello indicato. Se l'acqua supera il livello specificato, svuotare la piscina fino a raggiungere il livello corretto.
8. Non adoperare la pompa in presenza di persone nella piscina.
9. Coprire la piscina quando non viene utilizzata.
10. Per il trattamento dell'acqua della piscina, il valore pH è molto importante.

ATTENZIONE: Non lasciare la piscina svuotata all'aperto. I seguenti parametri assicurano una buona qualità dell'acqua

Parametri	Valori
Chiarezza dell'acqua	Acqua limpida fino al fondo della piscina
Colore dell'acqua	Non deve essere osservato nessun colore
Torbidità in FNU/NTU	max 1,5 (preferibilmente meno di 0,5)
La concentrazione di nitrati superiore a quella di riempimento dell'acqua in mg/l	max 20
Carbonio organico totale (TOC) in mg/l	max 4,0
Potenziale Redox contro Ag/AgCl 3,5 m KCl in mV	min 650
Valore pH	da 6,8 a 7,6
Cloro attivo libero (senza acido cianurico) in mg/l	da 0,3 a 1,5
Cloro libero usato in combinazione con l'acido cianurico in mg/l	da 1,0 a 3,0
Acido cianurico in mg/l	max 100
Cloro combinato in mg/l	max 0,5 (preferibilmente vicino a 0,0 mg/l)

PREPARAZIONE PER L'INVERNO

Se non si desidera smontare la piscina per la stagione invernale, attenersi alle seguenti istruzioni:

IMPORTANTE: non drenare tutta l'acqua della piscina, altrimenti la piscina potrebbe essere danneggiata dal vento forte. Svuotare l'acqua fino a quando il livello raggiunge una distanza di 10 cm al di sotto della valvola di ingresso sulla parete della piscina.

1. Svuotare l'acqua fino a quando il livello raggiunge una distanza di 10 cm al di sotto della valvola di ingresso sulla parete della piscina. È possibile adoperare una pompa o una manichetta da giardino (Figure 28, 29).
2. Trattare l'acqua della piscina con un prodotto chimico idoneo.
3. Rimuovere il sistema di filtraggio dalla piscina. Gli ingressi e le uscite possono rimanere applicati alla piscina.
4. Rimuovere altri accessori e conservarli in un luogo fresco e asciutto.
5. Proteggere la piscina con la copertura.

Se si desidera smontare la piscina per la stagione invernale, attenersi alle seguenti istruzioni:

1. Svuotare la piscina con una manichetta da giardino o con una pompa di scarico (Figure 28).
2. Pulire ogni componente della piscina con una spugna e un sapone con un pH neutro. Asciugarli e conservarli in un luogo asciutto e pulito.

PISCINES OVALES

HYDRIMUM™

MANUEL DE L'UTILISATEUR



Visitez la chaîne YouTube de Bestway

Article n°	Dimensions	Type de kit	Accessoires
#56586 #56583 #56587	16.4' x 12' x 48" (5.00m x 3.6m x 1.2m)	Kit pour piscine hors sol	<input checked="" type="checkbox"/> Système de filtration <input checked="" type="checkbox"/> Échelle <input checked="" type="checkbox"/> Tapis de sol
#56369 #56371 #56370	20' x 12' x 48" (6.10m x 3.6m x 1.2m)		
#56604 #56606	24' x 12' x 48" (7.40m x 3.6m x 1.2m)		

! ATTENTION !

Avant d'installer et d'utiliser, la piscine, veuillez lire attentivement, assimiler et respecter toutes les informations contenues dans cette notice d'utilisation. Ces avertissements, instructions et consignes de sécurité portent sur certains des risques usuels associés aux loisirs aquatiques, mais ils ne peuvent pas couvrir la totalité des risques et dangers dans tous les cas. Faites toujours preuve de prudence, de discernement et de bon sens lors des activités aquatiques. Conservez ces informations afin de pouvoir vous y référer ultérieurement.

Sécurité des non-nageurs

- Une surveillance attentive, active et continue par un adulte compétent des enfants qui ne savent pas bien nager et des non-nageurs est requise en permanence (en gardant à l'esprit que le risque de noyade est le plus élevé pour les enfants de moins de cinq ans).
- Désignez un adulte compétent pour surveiller le bassin à chaque fois qu'il est utilisé.
- Il convient que les enfants qui ne savent pas bien nager ou les non-nageurs portent des équipements de protection individuelle lorsqu'ils utilisent la piscine.
- Lorsque le bassin n'est pas utilisé ou est sans surveillance, retirez tous les jouets de la piscine et ses abords afin de ne pas attirer les enfants vers le bassin.

Dispositifs de sécurité

- Pour éviter toute noyade d'enfant, il est recommandé de sécuriser l'accès au bassin par un dispositif de protection. Pour éviter que les enfants montent par la vanne d'entrée et de sortie, il est recommandé d'installer une barrière (et de sécuriser toutes les portes et fenêtres, le cas échéant) afin d'empêcher tout accès non autorisé à la piscine.
- Les barrières, couvertures, alarmes de piscines ou dispositifs de sécurité similaires sont des aides utiles, mais ils ne remplacent pas la surveillance continue par un adulte compétent.

Équipements de sécurité

- Il est recommandé de garder du matériel de sauvetage (une bouée, par exemple) près du bassin.
- Gardez un téléphone en parfait état de marche et une liste de numéros d'urgence à proximité du bassin.

Sécurité d'emploi de la piscine

- Incitez tous les utilisateurs, en particulier les enfants, à apprendre à nager.
- Apprenez les gestes qui sauvent (réanimation cardiopulmonaire) et remettez régulièrement à jour vos connaissances. Ces gestes peuvent sauver une vie en cas d'urgence.
- Expliquez aux utilisateurs de la piscine, enfants inclus, la procédure à suivre en cas d'urgence.
- Ne plongez jamais dans un plan d'eau peu profond, sous peine de blessures graves ou mortelles.
- N'utilisez pas la piscine sous l'emprise d'alcool ou de médicaments susceptibles de réduire votre capacité à utiliser la piscine en toute sécurité.
- Si la piscine est recouverte d'une couverture, retirez-la entièrement de la surface de l'eau avant d'entrer dans le bassin.
- Traitez l'eau de votre piscine et instaurez de bonnes pratiques d'hygiène afin de protéger les utilisateurs des maladies liées à l'eau. Consultez les consignes de traitement de l'eau données dans la notice d'utilisation.
- Stockez les produits chimiques (produits de traitement de l'eau, de

- nettoyage ou de désinfection, par exemple) hors de portée des enfants.
- Utilisez les pictogrammes décrits ci-dessous. Les pictogrammes doivent être affichés dans une position visible à moins de 2 000 mm de la piscine.
- Surveillez les enfants lorsqu'ils se trouvent dans l'eau. Interdiction de plonger.
- Placez les échelles amovibles sur une surface horizontale.
- Quels que soient les matériaux utilisés pour la construction de la piscine, les surfaces accessibles doivent être régulièrement contrôlées afin d'éviter les blessures.
- Vérifiez régulièrement les boulons et les vis ; éliminez les écailles ou toute arête vive pour éviter les blessures.

- **ATTENTION:** Ne laissez pas la piscine vide à l'extérieur. La piscine vide est susceptible de se déformer et/ou d'être emportée par le vent.
- Si vous avez une pompe de filtration, reportez-vous à la notice d'instructions de la pompe.

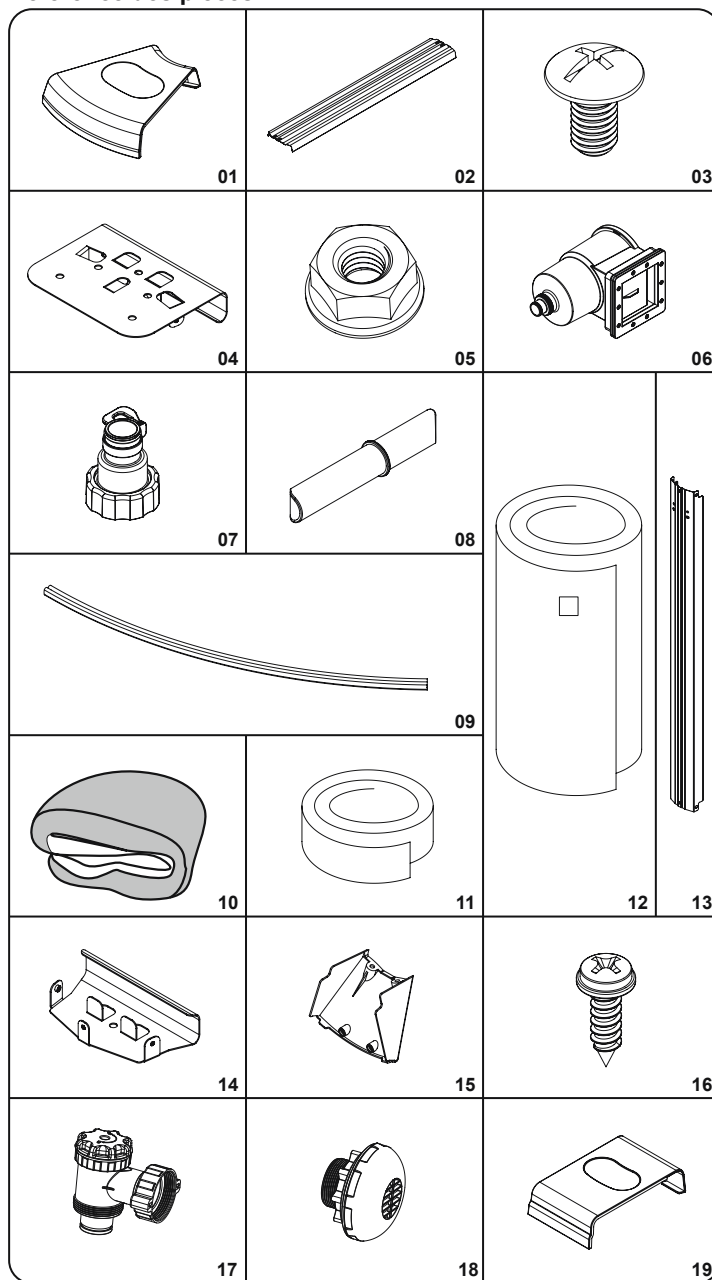
- **ATTENTION!** Il est interdit d'utiliser la pompe quand des gens se trouvent à l'intérieur de la piscine !
- Si vous avez une échelle, reportez-vous à la notice d'instructions de l'échelle.

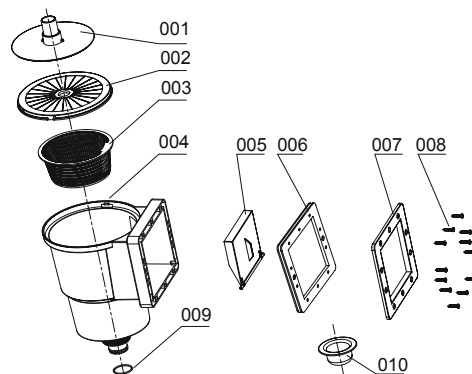
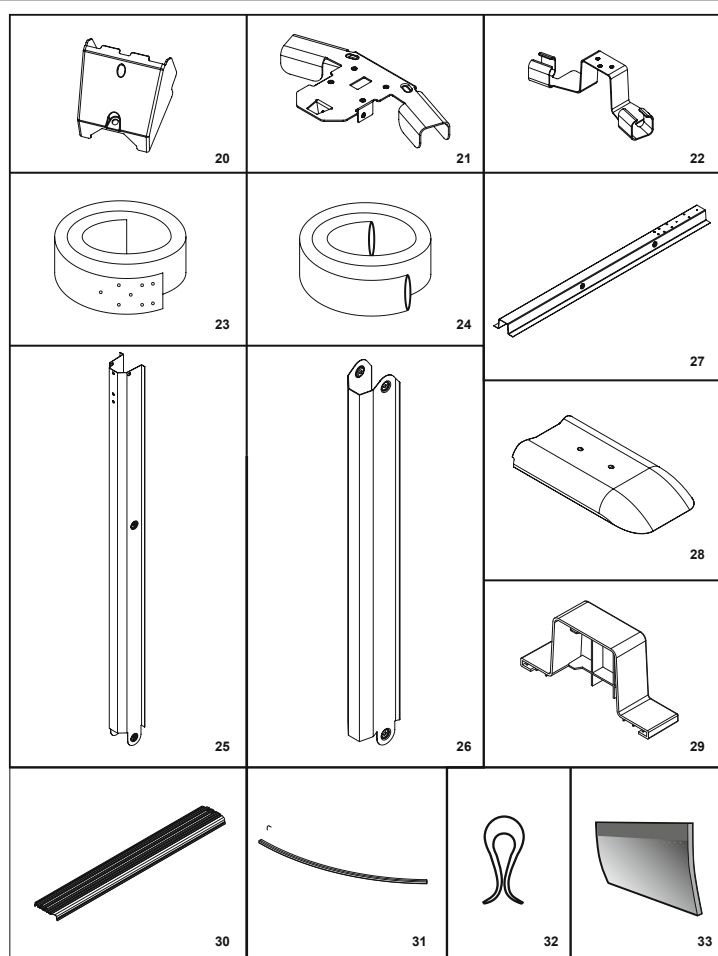
ATTENTION! L'utilisation d'une piscine implique le respect des consignes de sécurité contenues dans la notice d'utilisation et d'entretien. Afin d'éviter la noyade et toute autre blessure grave, faites particulièrement attention à la possibilité pour les enfants de moins de 5 ans d'accéder à l'improviste à la piscine en sécurisant son accès, et veillez à ce qu'un adulte les surveille constamment pendant la baignade.

REMARQUE: Lors de l'installation de la piscine, le skimmer doit être positionné dans le sens contraire du vent dominant. L'échelle doit être placée dans la piscine loin du skimmer.

Veillez lire attentivement ce document et conservez-le pour pouvoir le consulter en cas de besoin.

Référence des pièces

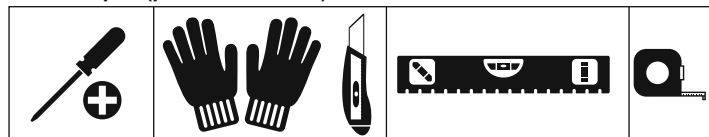




LISTE DES PIÈCES DU SKIMMER

N°	Nom	Quantité	Pièce détachée n°
001	Fixation du tuyau	1	P6774
002	Bâche	1	P6991
003	Panier	1	P6776
004	Skimmer	1	P6777
005	Seuil	1	P6992
006	Joint d'étanchéité	1	P6993
007	Plaque de recouvrement	1	P6780
008	Vis M5x22	12	/
009	Joint torique	1	/
010	Bouchon	1	P6813

Outils requis (pas fournis avec):



L'installation prend habituellement 3 heures environ avec 2-3 personnes, à l'exclusion des ouvrages de terre et du remplissage.

N°	Nom	Matière	16.4' x 12' x 48"		20' x 12' x 48"		24' x 12' x 48"	
			Q.té	Pièce détachée n°	Q.té	Pièce détachée n°	Q.té	Pièce détachée n°
1	Protection du joint supérieur	PP	8	P6743	8	P6743	8	P6743
2	Longue plateforme du haut	Acier revêtu	10	P6745	6	P6745	6	P6745
3	Boulon M6x11	Acier inoxydable 304	170	P6746	214	P6746	260	P6746
4	Pièce métallique du haut	Acier	8	P6747	8	P6747	8	P6747
5	Écrou M6	Acier inoxydable 304	52	P6748	74	P6748	98	P6748
6	Skimmer		1	P6762	1	P6762	1	P6762
7	Adaptateur de tuyau		2	F6H202	2	F6H202	2	F6H202
8	Raccord de rail	PP	32	P6990	32	P6990	32	P6990
9	Rail long	PVC	20	P61236	12	P61237	12	P61237
10	Bâche	PVC	1	56286ASS16	1	56369ASS16	1	56604ASS17
11	Ruban adhésif 3M		1	P6756	1	P6756	1	P6756
12	Paroi en acier	Acier revêtu	1	P61447	1	P61448	1	P61449
13	Support vertical de piscine	Acier revêtu	8	P6757	8	P6757	8	P6757
14	Pièce métallique du fond	Acier	8	P6761	8	P6761	8	P6761
15	Protection du joint du fond	PP	8	P6759	8	P6759	8	P6759
16	Vis ST4x14	Acier inoxydable 304	22	P61491	28	P61491	34	P61491
17	Vanne de commande		1	P6(H1)1229	1	P6(H1)1229	1	P6(H1)1229
18	Crépine d'entrée de piscine		1	P6H1317	1	P6H1317	1	P6H1317
19	Joint latéral du haut	PP	2	P6800	4	P6800	6	P6800
20	Joint latéral du bas	PP	2	P6801	4	P6801	6	P6801
21	Pièce métallique latérale du haut	Acier	2	P6802	4	P6802	6	P6802
22	Pièce métallique latérale du bas	Acier	2	P6826	4	P6826	6	P6826
23	Courroie en acier	Acier	1	P6810	2	P6810	3	P6810
24	Protection de la courroie en acier	PVC	1	P6811	2	P6811	3	P6811
25	Support vertical latéral	Acier revêtu	2	P61249	4	P61249	6	P61249
26	Support oblique latéral	Acier revêtu	2	P61250	4	P61250	6	P61250
27	Support latéral du bas	Acier	2	P6827	4	P6827	6	P6827
28	Protection du bas à l'intérieur	PP	2	P6828	4	P6828	6	P6828
29	Protection latérale du bas	PP	2	P61251	4	P61251	6	P61251
30	Plateforme courte du haut	Acier revêtu			6	P61234	8	P61234
31	Rail court	PVC			12	P61238	16	P61238
32	Attaches	Plastique	20		20		20	
33	Protection mousse	EPE	8	P61473	8	P61473	8	P61473

CHOIX D'UN EMPLACEMENT ADAPTÉ

ATTENTION: Le nivellement est extrêmement important.

Choisissez soigneusement l'emplacement de votre nouvelle piscine. C'est la décision la plus importante que vous devrez prendre pour garantir la sécurité et le succès de l'installation de votre piscine. Un mauvais emplacement peut entraîner des problèmes futurs car il peut provoquer des blessures, la mort ou des pertes financières. Lisez attentivement la liste de contrôle ci-dessous quand vous choisissez l'endroit où installer votre piscine.

Lieux adaptés:

Sol plat, nivelé, solide et sec qui permette un accès facile de tous les côtés de la piscine

Exposition directe à la lumière du soleil, de préférence celle du matin

Accès en toute sûreté à l'électricité pour l'utilisation de la pompe filtrante et autres accessoires de la piscine

Accès aisé à une alimentation en eau

À l'abri du vent

Inacceptable:

Les pentes, les sols accidentés

Les terrains sablonneux, pierreux ou détrempés

Près d'une construction en bois (ex : pergolas et terrasses en bois)

Près des arbres

Fils électriques et cordes à linge passant au-dessus

Drains, fils électriques ou conduites de gaz sous le site

Vidange mauvaise ou limitée

Emplacements présentant un risque élevé d'inondation

Présence de vents forts

REMARQUE: Enlevez la hauteur de terre plutôt que remplir le terrain trop bas. Il faut enlever toute la pelouse et toutes les mottes situées sous la surface de la piscine.

MONTAGE DE LA PISCINE

Veillez vous reporter aux étapes du schéma.

ENTRETIEN DE LA PISCINE

Attention: Si vous ne respectez pas ces consignes d'entretien, vous mettez en danger votre santé, et en particulier celle des enfants. Il est fondamental de traiter l'eau de la piscine pour la sécurité des utilisateurs. L'utilisation incorrecte de produits chimiques entraînera des dégâts matériels et des blessures.

REMARQUE: la pompe sert à faire circuler l'eau et à filtrer les petites particules.

Pour que l'eau de votre piscine reste propre et saine, vous devez également ajouter des produits chimiques.

1. Il est recommandé de ne pas remplir la piscine avec de l'eau de retenue, de l'eau de forage ou de l'eau de puits : ces eaux contiennent habituellement des substances organiques polluées comprenant des nitrates et des phosphates. Il est conseillé de remplir les piscines avec de l'eau du réseau public.
2. Maintenez la piscine toujours propre et utilisez les produits chimiques corrects. L'eau insalubre est un danger sérieux pour la santé. Il est recommandé d'utiliser un désinfectant, un floculant, un acide ou des produits chimiques alcalins pour traiter votre piscine.
3. Nettoyez régulièrement la bache en PVC avec des brosses non abrasives ou un aspirateur de piscine.
4. Durant la saison, il faut faire fonctionner le système de filtration de l'eau pendant suffisamment longtemps chaque jour pour nettoyer tout le volume de l'eau dans la piscine.
5. Contrôlez régulièrement la cartouche du filtre (ou le sable dans un filtre à sable) et remplacez les cartouches sales (ou le sable).
6. Vérifiez régulièrement que les vis, les boulons et toutes les pièces métalliques ne soient pas rouillés. Remplacez-les si nécessaire.
7. S'il pleut, vérifiez que le niveau de l'eau ne dépasse pas le niveau indiqué. Si l'eau dépasse les niveaux indiqués, vidangez la piscine jusqu'au niveau indiqué.
8. Ne faites pas fonctionner la pompe quand vous utilisez la piscine.
9. Couvrez la piscine quand vous ne l'utilisez pas.
10. La valeur du pH est très importante pour le traitement de l'eau de la piscine.

ATTENTION: Ne laissez pas la piscine vide à l'extérieur.

Les paramètres suivants garantissent une bonne qualité de l'eau

Paramètres	Valeurs
Clarté de l'eau	le fond de la piscine est clairement visible
Couleur de l'eau	on ne doit remarquer aucune couleur de l'eau
Turbidité en FNU/NTU	1,5 maxi (de préférence inférieure à 0,5)
Concentration de nitrates supérieure à celle de l'eau de remplissage en mg/l	20 maxi
Carbone organique total (COT) en mg/l	4,0 maxi
Potentiel d'oxydo-réduction par rapport à Ag/AgCl 3,5 m KCl en mV	650 mini
Valeur du pH	de 6,8 à 7,6
Chlore actif libre (sans acide cyanurique) en mg/l	de 0,3 à 1,5
Chlore libre utilisé combiné avec de l'acide cyanurique en mg/l	de 1,0 à 3,0
Acide cyanurique en mg/l	100 maxi
Chlore combiné en mg/l	0,5 maxi (de préférence proche de 0,0 mg/l)

PRÉPARATION POUR L'HIVER

Si vous ne souhaitez pas démonter la piscine durant l'hiver, suivre les instructions suivantes:

IMPORTANT: Ne vidangez pas toute l'eau de la piscine. Si vous le faites, la piscine pourrait être endommagée par un vent fort. Vidangez l'eau jusqu'à 10cm en dessous de la vanne d'entrée sur la paroi de la piscine.

1. Vidangez l'eau jusqu'à 10 cm en dessous de la vanne d'entrée sur la paroi de la piscine. Vous pouvez utiliser une pompe ou un tuyau d'arrosage (Figure 28,29).
2. Traitez l'eau de la piscine avec un produit chimique adapté.
3. Enlevez le système de filtration de la piscine. Vous pouvez laisser les entrées/sorties fixées sur la piscine.
4. Retirer les autres accessoires et les conserver dans un lieu frais et sec.
5. Recouvrir la piscine avec sa protection.

Si vous souhaitez démonter la piscine pendant l'hiver, veuillez respecter les instructions suivantes :

1. Vidangez la piscine avec un tuyau d'arrosage ou utilisez une pompe de vidange pour vider la piscine (Figure 28).
2. Nettoyez toutes les pièces de la piscine avec une éponge et un savon au pH neutre. Séchez-les et rangez-les dans un endroit propre et sec.

ΟΒΑΛ ΠΙΣΙΝΕΣ

HYDRUM™

ΕΓΧΕΙΡΙΔΙΟ ΙΔΙΟΚΤΗΤΗ



ΕΠΙΣΚΕΦΤΕΙΤΕ ΤΟ ΚΑΝΑΛΙ ΤΗΣ BESTWAY ΣΤΟ YOUTUBE

ΑΡ. ΕΞΑΡΤΗΜΑΤΟΣ	ΔΙΑΣΤΑΣΕΙΣ	ΤΥΠΟΣ ΚΙΤ	ΑΞΕΣΟΥΑΡ
#56586 #56583 #56587	16.4' x 12' x 48" (5.00μ. x 3.6μ. x 1.2μ.)	ΚΙΤ ΠΙΣΙΝΑΣ ΕΠΙΦΑΝΕΙΑΣ	<input checked="" type="checkbox"/> ΣΥΣΤΗΜΑ ΦΙΛΤΡΑΡΙΣΜΑΤΟΣ <input checked="" type="checkbox"/> ΣΚΑΛΑ <input checked="" type="checkbox"/> ΎΦΑΣΜΑ ΕΔΑΦΟΥΣ
#56369 #56371 #56370	20' x 12' x 48" (6.10μ. x 3.6μ. x 1.2μ.)		
#56604 #56606	24' x 12' x 48" (7.40μ. x 3.6μ. x 1.2μ.)		

! ΠΡΟΕΙΔΟΠΟΙΗΣΗ!

ΔΙΑΒΑΣΤΕ ΠΡΟΣΕΚΤΙΚΑ, ΚΑΤΑΝΟΗΣΤΕ ΚΑΙ ΑΚΟΛΟΥΘΗΣΤΕ ΟΛΕΣ ΤΙΣ ΠΛΗΡΟΦΟΡΙΕΣ ΣΕ ΑΥΤΟ ΤΟ ΕΓΧΕΙΡΙΔΙΟ ΧΡΗΣΗΣ ΠΡΙΝ ΑΠΟ ΤΗΝ ΕΓΚΑΤΑΣΤΑΣΗ ΚΑΙ ΤΗ ΧΡΗΣΗ ΤΗΣ ΠΙΣΙΝΑΣ. ΑΥΤΕΣ ΟΙ ΠΡΟΕΙΔΟΠΟΙΗΣΕΙΣ, ΟΔΗΓΙΕΣ ΚΑΙ ΚΑΤΕΥΘΥΝΤΗΡΙΕΣ ΟΔΗΓΙΕΣ ΓΙΑ ΤΗΝ ΑΣΦΑΛΕΙΑ ΑΝΑΦΕΡΟΝΤΑΙ ΣΕ ΚΑΠΟΙΟΥΣ ΣΥΝΗΘΙΣΜΕΝΟΥΣ ΚΙΝΔΥΝΟΥΣ ΤΗΣ ΑΝΑΨΥΧΗΣ ΣΤΟ ΝΕΡΟ, ΑΛΛΑ ΔΕΝ ΜΠΟΡΟΥΝ ΝΑ ΚΑΛΥΨΟΥΝ ΟΛΟΥΣ ΤΟΥΣ ΚΙΝΔΥΝΟΥΣ ΣΕ ΟΛΕΣ ΤΙΣ ΠΕΡΙΠΤΩΣΕΙΣ. ΠΑΝΤΟΤΕ ΕΠΙΔΕΙΚΝΥΤΕ ΠΡΟΣΟΧΗ, ΚΟΙΝΗ ΛΟΓΙΚΗ ΚΑΙ ΚΑΛΗ ΚΡΙΣΗ ΟΤΑΝ ΑΠΟΛΑΜΒΑΝΕΤΕ ΟΠΟΙΑΔΗΠΟΤΕ ΔΡΑΣΤΗΡΙΟΤΗΤΑ ΣΤΟ ΝΕΡΟ. ΦΥΛΑΞΤΕ ΑΥΤΕΣ ΤΙΣ ΠΛΗΡΟΦΟΡΙΕΣ ΓΙΑ ΜΕΛΛΟΝΤΙΚΗ ΧΡΗΣΗ.

ΑΣΦΑΛΕΙΑ ΟΣΩΝ ΔΕΝ ΓΝΩΡΙΖΟΥΝ ΚΟΛΥΜΒΗΣΗ

- ΑΝΑ ΠΑΣΑ ΣΤΙΓΜΗ ΑΠΑΙΤΕΙΤΑΙ ΣΥΝΕΧΗΣ, ΕΝΕΡΓΗ, ΚΑΙ ΑΓΡΥΠΝΗ ΕΠΙΒΛΕΨΗ ΤΩΝ ΑΔΥΝΑΜΩΝ ΚΟΛΥΜΒΗΤΩΝ ΚΑΙ ΤΩΝ ΜΗ ΚΟΛΥΜΒΗΤΩΝ ΑΠΟ ΑΡΜΟΔΙΟ ΕΝΗΛΙΚΑ (ΕΝΘΥΜΟΥΜΕΝΟΙ ΟΤΙ ΤΑ ΠΑΙΔΙΑ ΚΑΤΩ ΤΩΝ ΠΕΝΤΕ ΕΤΩΝ ΔΙΑΤΡΕΧΟΥΝ ΤΟΝ ΥΨΗΛΟΤΕΡΟ ΚΙΝΔΥΝΟ ΠΝΙΓΜΟΥ).
- ΟΡΙΖΕΤΕ ΕΝΑΝ ΑΡΜΟΔΙΟ ΕΝΗΛΙΚΑ ΝΑ ΕΠΙΒΛΕΠΕΙ ΤΗΝ ΠΙΣΙΝΑ ΚΑΘΕ ΦΟΡΑ ΠΟΥ ΕΙΝΑΙ ΣΕ ΧΡΗΣΗ.
- ΟΙ ΑΔΥΝΑΜΟΙ ΚΟΛΥΜΒΗΤΕΣ Η ΟΙ ΜΗ ΓΝΩΡΙΖΟΝΤΕΣ ΚΟΛΥΜΒΗΣΗ ΘΑ ΠΡΕΠΕΙ ΝΑ ΦΟΡΟΥΝ ΕΞΟΠΛΙΣΜΟ ΑΤΟΜΙΚΗΣ ΠΡΟΣΤΑΣΙΑΣ ΚΑΤΑ ΤΗ ΧΡΗΣΗ ΤΗΣ ΠΙΣΙΝΑΣ.
- ΟΤΑΝ Η ΠΙΣΙΝΑ ΔΕΝ ΕΙΝΑΙ ΣΕ ΧΡΗΣΗ, Η ΕΙΝΑΙ ΧΩΡΙΣ ΕΠΙΒΛΕΨΗ, ΑΦΑΙΡΕΣΤΕ ΟΛΑ ΤΑ ΠΑΙΧΝΙΔΙΑ ΑΠΟ ΤΗΝ ΠΙΣΙΝΑ ΚΑΙ ΤΟΝ ΠΕΡΙΒΑΛΛΟΝΤΑ ΧΩΡΟ ΩΣΤΕ ΝΑ ΑΠΟΤΡΕΠΕΤΑΙ Η ΠΡΟΣΕΛΚΥΣΗ ΠΑΙΔΙΩΝ ΣΤΗΝ ΠΙΣΙΝΑ.

ΣΥΣΚΕΥΕΣ ΑΣΦΑΛΕΙΑΣ

- ΠΡΟΚΕΙΜΕΝΟΥ ΝΑ ΑΠΟΤΡΑΠΕΙ Ο ΠΝΙΓΜΟΣ ΠΑΙΔΙΩΝ, ΣΥΝΙΣΤΑΤΑΙ ΝΑ ΑΣΦΑΛΙΣΤΕ ΤΗΝ ΠΡΟΣΒΑΣΗ ΣΤΗΝ ΠΙΣΙΝΑ ΜΕ ΜΙΑ ΠΡΟΣΤΑΤΕΥΤΙΚΗ ΣΥΣΚΕΥΗ. ΠΡΟΚΕΙΜΕΝΟΥ ΝΑ ΑΠΟΤΡΑΠΟΥΝ ΤΑ ΠΑΙΔΙΑ ΑΠΟ ΤΟ ΝΑ ΣΚΑΡΦΑΛΩΣΟΥΝ ΑΠΟ ΤΗ ΒΑΛΙΔΑ ΕΙΣΟΔΟΥ ΚΑΙ ΕΞΟΔΟΥ, ΣΥΝΙΣΤΑΤΑΙ ΝΑ ΕΓΚΑΤΑΣΤΑΘΕΙ ΕΝΑ ΕΜΠΟΔΙΟ (ΚΑΙ ΝΑ ΑΣΦΑΛΙΣΤΕ ΟΛΕΣ ΤΙΣ ΠΟΡΤΕΣ ΚΑΙ ΤΑ ΠΑΡΑΘΥΡΑ, ΟΠΟΥ ΕΦΑΡΜΟΖΕΤΑΙ) ΓΙΑ ΝΑ ΑΠΟΤΡΕΨΕΤΕ ΤΗ ΜΗ ΕΞΟΥΣΙΟΔΟΤΗΜΕΝΗ ΠΡΟΣΒΑΣΗ ΣΤΗΝ ΠΙΣΙΝΑ.
- ΕΜΠΟΔΙΑ, ΚΑΛΥΜΜΑΤΑ ΠΙΣΙΝΑΣ, ΣΥΝΑΓΕΡΜΟΙ ΠΙΣΙΝΑΣ, Η ΠΑΡΟΜΟΙΕΣ ΣΥΣΚΕΥΕΣ ΑΣΦΑΛΕΙΑΣ ΕΙΝΑΙ ΧΡΗΣΙΜΑ ΒΟΗΘΗΜΑΤΑ, ΑΛΛΑ ΔΕΝ ΥΠΟΚΑΘΙΣΤΟΥΝ ΤΗ ΣΥΝΕΧΗ ΚΑΙ ΑΡΜΟΔΙΑ ΕΠΙΒΛΕΨΗ ΑΠΟ ΕΝΗΛΙΚΑ.

ΕΞΟΠΛΙΣΜΟΣ ΑΣΦΑΛΕΙΑΣ

- ΣΥΝΙΣΤΑΤΑΙ Ο ΕΞΟΠΛΙΣΜΟΣ ΔΙΑΣΩΣΗΣ (Π.Χ. ΔΑΚΤΥΛΟΙΕΙΔΙΣ ΣΗΜΑΔΟΥΡΑ) ΝΑ ΦΥΛΑΞΕΤΑΙ ΔΙΠΛΑ ΣΤΗΝ ΠΙΣΙΝΑ.
- ΔΙΑΤΗΡΕΙΤΕ ΜΙΑ ΛΕΙΤΟΥΡΓΙΚΗ ΣΥΣΚΕΥΗ ΤΗΛΕΦΩΝΟΥ ΚΑΙ ΜΙΑ ΛΙΣΤΑ ΤΩΝ ΤΗΛΕΦΩΝΩΝ ΕΚΤΑΚΤΗΣ ΑΝΑΓΚΗΣ ΚΟΝΤΑ ΣΤΗΝ ΠΙΣΙΝΑ.

ΑΣΦΑΛΗΣ ΧΡΗΣΗ ΤΗΣ ΠΙΣΙΝΑΣ

- ΕΝΘΑΡΡΥΝΕΤΕ ΟΛΟΥΣ ΤΟΥΣ ΧΡΗΣΤΕΣ ΚΑΙ ΙΔΙΑΙΤΕΡΑ ΤΑ ΠΑΙΔΙΑ ΝΑ ΜΑΘΟΥΝ ΚΟΛΥΜΒΗΣΗ.
- ΜΑΘΕΤΕ ΒΑΣΙΚΗ ΥΠΟΣΤΗΡΙΞΗ ΖΩΗΣ (ΚΑΡΔΙΟΑΝΑΠΝΕΥΣΤΙΚΗ ΑΝΑΝΗΨΗ - CPR) ΚΑΙ ΑΝΑΝΕΩΝΕΤΕ ΑΥΤΕΣ ΤΙΣ ΓΝΩΣΕΙΣ ΤΑΚΤΙΚΑ. ΣΕ ΠΕΡΙΠΤΩΣΗ ΕΚΤΑΚΤΗΣ ΑΝΑΓΚΗΣ ΑΥΤΟ ΜΠΟΡΕΙ ΝΑ ΚΑΝΕΙ ΤΗ ΔΙΑΦΟΡΑ ΔΙΑΣΩΣΗΣ ΜΙΑΣ ΖΩΗΣ.
- ΔΩΣΤΕ ΟΔΗΓΙΕΣ ΣΕ ΟΛΟΥΣ ΤΟΥΣ ΧΡΗΣΤΕΣ ΤΗΣ ΠΙΣΙΝΑΣ, ΣΥΜΠΕΡΙΛΑΜΒΑΝΟΜΕΝΩΝ ΤΩΝ ΠΑΙΔΙΩΝ, ΓΙΑ ΤΟ ΤΙ ΝΑ ΚΑΝΟΥΝ ΣΕ ΠΕΡΙΠΤΩΣΗ ΕΚΤΑΚΤΗΣ ΑΝΑΓΚΗΣ
- ΠΟΤΕ ΜΗΝ ΚΑΤΑΔΥΣΕΤΕ ΣΕ ΟΠΟΙΑΔΗΠΟΤΕ ΡΗΧΑ ΝΕΡΑ. ΑΥΤΟ ΜΠΟΡΕΙ ΝΑ ΠΡΟΚΑΛΕΣΕΙ ΣΟΒΑΡΟ ΤΡΑΥΜΑΤΙΣΜΟ Η ΘΑΝΑΤΟ.
- ΜΗΝ ΧΡΗΣΙΜΟΠΟΙΕΙΤΕ ΤΗΝ ΠΙΣΙΝΑ ΟΤΑΝ ΚΑΝΕΤΕ ΧΡΗΣΗ ΑΛΚΟΟΛ Η ΦΑΡΜΑΚΩΝ ΠΟΥ ΜΠΟΡΕΙ ΝΑ ΕΠΗΡΕΑΣΟΥΝ ΤΗΝ ΙΚΑΝΟΤΗΤΑ ΣΑΣ ΝΑ ΧΡΗΣΙΜΟΠΟΙΕΙΤΕ ΜΕ ΑΣΦΑΛΕΙΑ ΤΗΝ ΠΙΣΙΝΑ.
- ΟΤΑΝ ΧΡΗΣΙΜΟΠΟΙΟΥΝΤΑΙ ΚΑΛΥΜΜΑΤΑ ΠΙΣΙΝΑΣ, ΑΦΑΙΡΕΙΤΕ ΤΑ ΕΝΤΕΛΩΣ ΑΠΟ ΤΗΝ ΕΠΙΦΑΝΕΙΑ ΤΟΥ ΝΕΡΟΥ ΠΡΙΝ ΑΠΟ ΤΗΝ ΕΙΣΟΔΟ ΣΤΗΝ ΠΙΣΙΝΑ.
- ΠΡΟΣΤΑΤΕΨΤΕ ΤΟΥΣ ΧΡΗΣΤΕΣ ΤΗΣ ΠΙΣΙΝΑΣ ΑΠΟ ΑΣΘΕΝΕΙΕΣ ΠΟΥ ΣΧΕΤΙΖΟΝΤΑΙ ΜΕ ΤΟ ΝΕΡΟ, ΔΙΑΤΗΡΩΝΤΑΣ ΤΟ ΝΕΡΟ ΤΗΣ ΠΙΣΙΝΑΣ ΕΠΙΞΕΡΓΑΣΜΕΝΟ ΚΑΙ ΤΗΡΩΝΤΑΣ ΚΑΛΗ ΥΓΙΕΙΝΗ. ΣΥΜΒΟΥΛΕΥΤΕΙΤΕ ΤΙΣ ΚΑΤΕΥΘΥΝΤΗΡΙΕΣ ΟΔΗΓΙΕΣ ΕΠΙΞΕΡΓΑΣΙΑΣ ΤΟΥ ΝΕΡΟΥ ΣΤΟ ΕΓΧΕΙΡΙΔΙΟ ΧΡΗΣΗΣ.

- ΑΠΟΘΗΚΕΥΤΕ ΤΑ ΧΗΜΙΚΑ (Π.Χ. ΠΡΟΪΟΝΤΑ ΕΠΙΞΕΡΓΑΣΙΑΣ ΝΕΡΟΥ, ΚΑΘΑΡΙΣΜΟΥ Η ΑΠΟΛΥΜΑΝΣΗΣ) ΜΑΚΡΙΑ ΑΠΟ ΠΑΙΔΙΑ.
- ΧΡΗΣΙΜΟΠΟΙΗΣΤΕ ΤΗ ΣΗΜΑΝΣΗ ΟΠΩΣ ΠΕΡΙΓΡΑΦΕΤΑΙ ΠΑΡΑΚΑΤΩ. Η ΣΗΜΑΝΣΗ ΠΡΕΠΕΙ ΝΑ ΑΝΑΡΤΑΤΑΙ ΣΕ ΕΜΦΑΝΗ ΘΕΣΗ ΕΝΤΟΣ 2μ. ΑΠΟ ΤΗΝ ΠΙΣΙΝΑ.
- ΕΠΙΒΛΕΠΕΤΕ ΤΑ ΠΑΙΔΙΑ ΠΟΥ ΒΡΙΣΚΟΝΤΑΙ ΣΤΟ ΝΕΡΟ. ΑΠΑΓΟΡΕΥΟΝΤΑΙ ΟΙ ΒΟΥΤΙΕΣ.
- ΟΙ ΑΦΑΙΡΟΥΜΕΝΕΣ ΣΚΑΛΕΣ ΠΡΕΠΕΙ ΝΑ ΤΟΠΟΘΕΤΟΥΝΤΑΙ ΣΕ ΟΡΙΖΟΝΤΙΑ ΕΠΙΦΑΝΕΙΑ.
- ΑΝΕΞΑΡΤΗΤΑ ΤΩΝ ΥΛΙΚΩΝ ΠΟΥ ΧΡΗΣΙΜΟΠΟΙΟΥΝΤΑΙ ΓΙΑ ΤΗΝ ΚΑΤΑΣΚΕΥΗ ΤΗΣ ΠΙΣΙΝΑΣ, ΟΙ ΠΡΟΣΤΙΤΕΣ ΕΠΙΦΑΝΕΙΕΣ ΠΡΕΠΕΙ ΝΑ ΕΛΕΓΧΟΝΤΑΙ ΤΑΚΤΙΚΑ ΓΙΑ ΤΗΝ ΑΠΟΦΥΓΗ ΤΡΑΥΜΑΤΙΣΜΩΝ.
- ΕΠΙΘΕΩΡΕΙΤΕ ΤΑΚΤΙΚΑ ΤΑ ΜΠΟΥΛΟΝΙΑ ΚΑΙ ΒΙΔΕΣ, ΑΦΑΙΡΕΙΤΕ ΑΚΙΔΕΣ Η ΑΙΧΜΗΡΕΣ ΑΚΜΕΣ ΓΙΑ ΤΗΝ ΑΠΟΦΥΓΗ ΤΡΑΥΜΑΤΙΣΜΩΝ.

ΠΡΟΣΟΧΗ: ΜΗΝ ΑΦΗΝΕΤΕ ΤΗΝ ΑΠΟΣΤΡΑΓΓΙΣΜΕΝΗ ΠΙΣΙΝΑ ΕΞΩ. Η ΑΔΕΙΑ ΠΙΣΙΝΑ ΕΙΝΑΙ ΠΙΘΑΝΟ ΝΑ ΠΑΡΑΜΟΡΦΩΘΕΙ ΚΑΙ/Η ΝΑ ΕΚΤΟΠΙΣΤΕΙ ΛΟΓΩ ΤΟΥ ΑΝΕΜΟΥ.
- ΕΑΝ ΔΙΑΘΕΤΕΤΕ ΜΙΑ ΑΝΤΛΙΑ ΦΙΛΤΡΟΥ, ΑΝΑΤΡΕΞΤΕ ΣΤΟ ΕΓΧΕΙΡΙΔΙΟ ΤΗΣ ΑΝΤΛΙΑΣ ΓΙΑ ΟΔΗΓΙΕΣ.

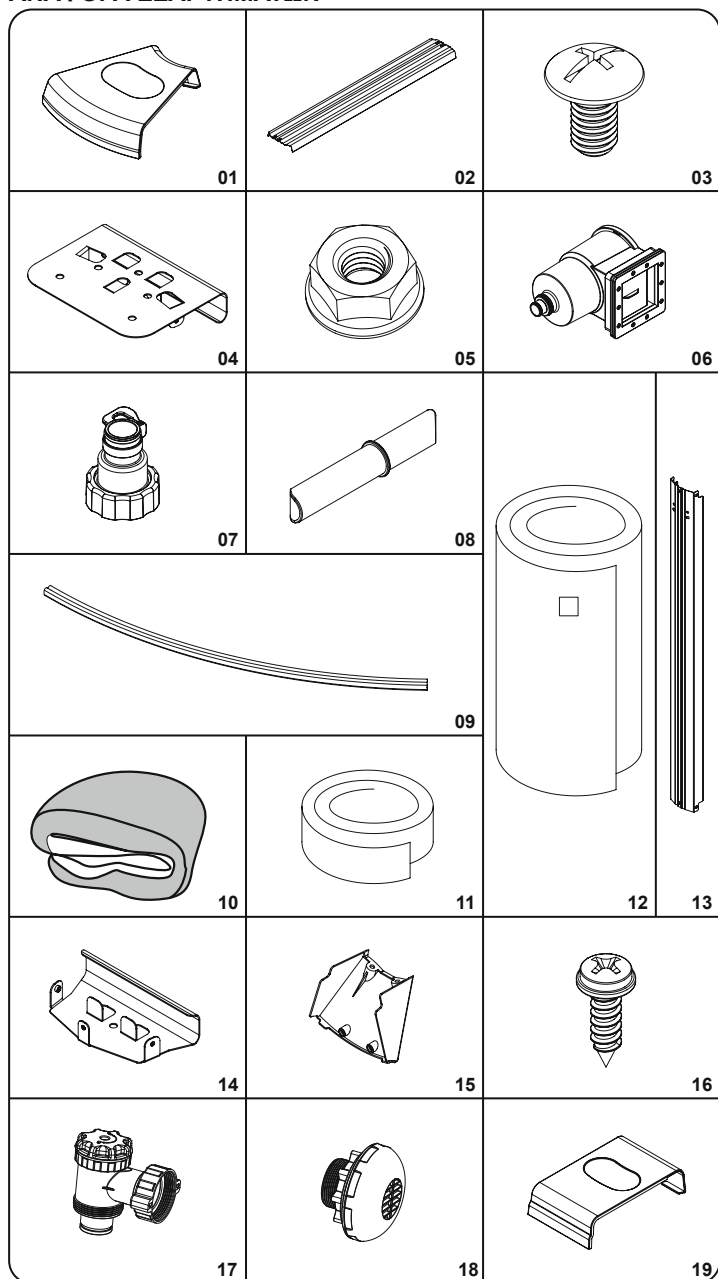
ΠΡΟΕΙΔΟΠΟΙΗΣΗ! Η ΑΝΤΛΙΑ ΔΕΝ ΜΠΟΡΕΙ ΝΑ ΧΡΗΣΙΜΟΠΟΙΗΘΕΙ, ΕΝΩ ΥΠΑΡΧΟΥΝ ΑΝΘΡΩΠΟΙ ΜΕΣΑ ΣΤΗΝ ΠΙΣΙΝΑ!
- ΕΑΝ ΔΙΑΘΕΤΕΤΕ ΜΙΑ ΣΚΑΛΑ, ΑΝΑΤΡΕΞΤΕ ΣΤΟ ΕΓΧΕΙΡΙΔΙΟ ΤΗΣ ΣΚΑΛΑΣ ΓΙΑ ΟΔΗΓΙΕΣ.

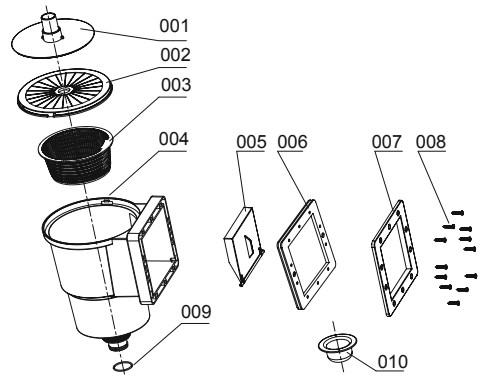
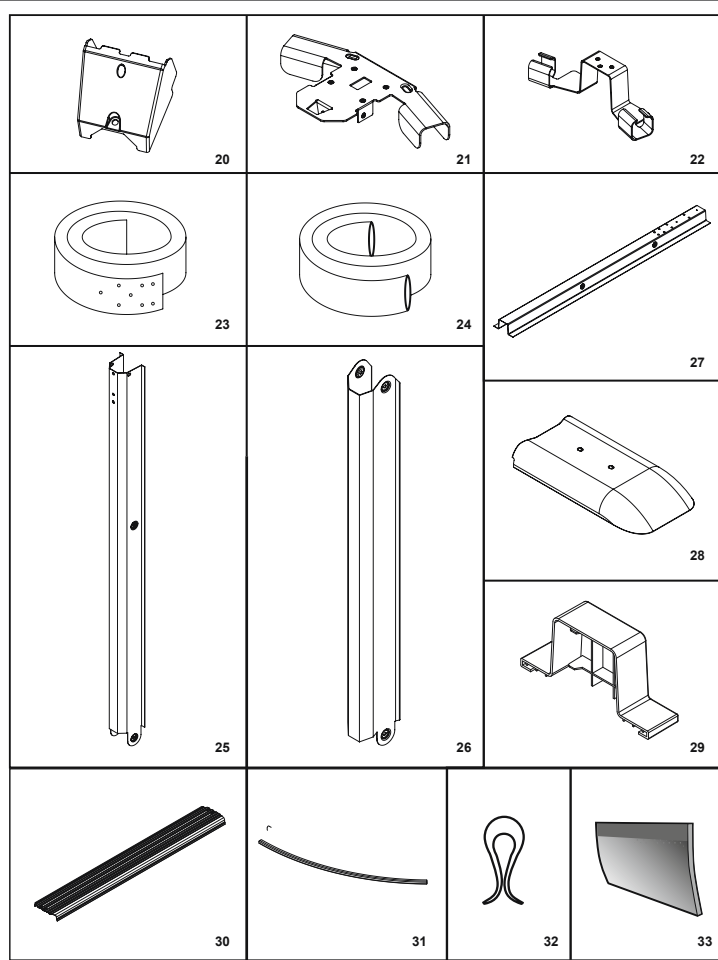
ΠΡΟΕΙΔΟΠΟΙΗΣΗ! Η ΧΡΗΣΗ ΤΗΣ ΠΙΣΙΝΑΣ ΠΡΟΫΠΟΘΕΤΕΙ ΣΥΜΜΟΡΦΩΣΗ ΜΕ ΤΙΣ ΟΔΗΓΙΕΣ ΑΣΦΑΛΕΙΑΣ ΠΟΥ ΠΕΡΙΓΡΑΦΟΝΤΑΙ ΣΤΙΣ ΟΔΗΓΙΕΣ ΛΕΙΤΟΥΡΓΙΑΣ ΚΑΙ ΣΥΝΤΗΡΗΣΗΣ. ΓΙΑ ΤΗΝ ΠΡΟΛΗΨΗ ΠΝΙΓΜΟΥ ΚΑΙ ΑΛΛΩΝ ΣΟΒΑΡΩΝ ΤΡΑΥΜΑΤΙΣΜΩΝ, ΔΩΣΤΕ ΙΔΙΑΙΤΕΡΗ ΠΡΟΣΟΧΗ ΣΤΗΝ ΠΙΘΑΝΟΤΗΤΑ ΑΠΡΟΣΔΟΚΗΤΗΣ ΠΡΟΣΒΑΣΗΣ ΣΤΗΝ ΠΙΣΙΝΑ ΑΠΟ ΠΑΙΔΙΑ ΚΑΤΩ ΤΩΝ 5 ΕΤΩΝ ΑΣΦΑΛΙΖΟΝΤΑΣ ΤΗΝ ΠΡΟΣΒΑΣΗ ΣΕ ΑΥΤΗΝ, ΚΑΙ ΚΑΤΑ ΤΗ ΔΙΑΡΚΕΙΑ ΤΗΣ ΚΟΛΥΜΒΗΣΗΣ, ΔΙΑΤΗΡΗΣΤΕ ΤΑ ΥΠΟ ΤΗ ΣΥΝΕΧΗ ΕΠΙΤΗΡΗΣΗ ΕΝΗΛΙΚΑ.

ΣΗΜΕΙΩΣΗ: ΚΑΤΑ ΤΗΝ ΕΓΚΑΤΑΣΤΑΣΗ ΤΗΣ ΠΙΣΙΝΑΣ, Η ΘΕΣΗ ΤΗΣ ΑΠΟΧΗΣ ΕΠΙΦΑΝΕΙΑΣ ΠΡΕΠΕΙ ΝΑ ΕΙΝΑΙ ΑΠΕΝΑΝΤΙ ΣΤΗΝ ΚΥΡΙΑ ΚΑΤΕΥΘΥΝΣΗ ΤΟΥ ΑΝΕΜΟΥ. Η ΤΟΠΟΘΕΤΗΣΗ ΤΗΣ ΣΚΑΛΑΣ ΜΕΣΑ ΣΤΗΝ ΠΙΣΙΝΑ ΘΑ ΕΙΝΑΙ ΜΑΚΡΙΑ ΑΠΟ ΤΗΝ ΑΠΟΧΗ ΕΠΙΦΑΝΕΙΑΣ.

ΠΑΡΑΚΑΛΟΥΜΕ ΔΙΑΒΑΣΤΕ ΠΡΟΣΕΚΤΙΚΑ ΚΑΙ ΦΥΛΑΞΤΕ ΓΙΑ ΜΕΛΛΟΝΤΙΚΗ ΑΝΑΦΟΡΑ

ΑΝΑΦΟΡΑ ΕΞΑΡΤΗΜΑΤΩΝ

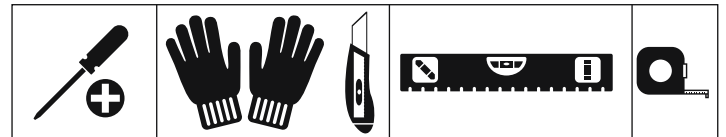




ΛΙΣΤΑ ΕΞΑΡΤΗΜΑΤΩΝ ΑΠΟΧΗΣ ΕΠΙΦΑΝΕΙΑΣ

ΑΡ.	ΌΝΟΜΑ	ΠΟΣΟΤΗΤΑ	ΑΡ. ΑΝΤΑΛΛΑΚΤΙΚΟΥ
001	ΕΞΑΡΤΗΜΑ ΕΥΚΑΜΠΤΟΥ ΣΩΛΗΝΑ	1	P6774
002	ΚΑΛΥΜΜΑ	1	P6991
003	ΦΙΛΤΡΟ	1	P6776
004	ΑΠΟΧΗ ΕΠΙΦΑΝΕΙΑΣ	1	P6777
005	ΥΔΑΤΟΦΡΑΚΤΗΣ	1	P6992
006	ΦΛΑΝΤΖΑ	1	P6993
007	ΠΛΑΚΑ ΠΡΟΣΩΨΗΣ	1	P6780
008	ΒΙΔΑ Μ5Χ22	12	/
009	ΣΤΕΓΑΝΩΤΙΚΟΣ ΔΑΚΤΥΛΙΟΣ O-RING	1	/
010	ΤΑΠΑ	1	P6813

ΑΠΑΙΤΟΥΜΕΝΑ ΕΡΓΑΛΕΙΑ (ΔΕΝ ΠΕΡΙΛΑΜΒΑΝΟΝΤΑΙ):



Η ΕΓΚΑΤΑΣΤΑΣΗ ΣΥΝΗΘΩΣ ΑΠΑΙΤΕΙ ΠΕΡΙΠΟΥ 3 ΩΡΕΣ ΜΕ 2-3 ΑΤΟΜΑ ΕΞΑΙΡΟΝΤΑΣ ΤΙΣ ΧΩΜΑΤΟΥΡΓΙΚΕΣ ΕΡΓΑΣΙΕΣ ΚΑΙ ΤΗΝ ΠΛΗΡΩΣΗ.

ΑΡ.	ΌΝΟΜΑ	ΥΛΙΚΟ	16.4' x 12' x 48"		20' x 12' x 48"		24' x 12' x 48"	
			ΠΟΣ.	ΑΡ. ΑΝΤΑΛΛΑΚΤΙΚΟΥ	ΠΟΣ.	ΑΡ. ΑΝΤΑΛΛΑΚΤΙΚΟΥ	ΠΟΣ.	ΑΡ. ΑΝΤΑΛΛΑΚΤΙΚΟΥ
1	ΕΠΑΝΩ ΠΡΟΣΤΑΤΕΥΤΙΚΟ ΣΥΝΔΕΣΗΣ	PP	8	P6743	8	P6743	8	P6743
2	ΜΑΚΡΙΑ ΕΠΑΝΩ ΠΛΑΤΦΟΡΜΑ	ΕΠΙΚΑΛΥΜΜΕΝΟΣ ΧΑΛΥΒΑΣ	10	P6745	6	P6745	6	P6745
3	ΜΠΟΥΛΟΝΙ Μ6Χ11	ΑΝΟΞΕΙΔΩΤΟΣ ΧΑΛΥΒΑΣ 304	170	P6746	214	P6746	260	P6746
4	ΕΠΑΝΩ ΜΕΤΑΛΛΙΚΟ ΤΕΜΑΧΙΟ	ΧΑΛΥΒΑΣ	8	P6747	8	P6747	8	P6747
5	ΠΑΞΙΜΑΔΙ Μ6	ΑΝΟΞΕΙΔΩΤΟΣ ΧΑΛΥΒΑΣ 304	52	P6748	74	P6748	98	P6748
6	ΑΠΟΧΗ ΕΠΙΦΑΝΕΙΑΣ		1	P6762	1	P6762	1	P6762
7	ΠΡΟΣΑΡΜΟΓΕΑΣ ΓΙΑ ΕΥΚΑΜΠΤΟ ΣΩΛΗΝΑ		2	F6H202	2	F6H202	2	F6H202
8	ΣΥΝΔΕΣΜΟΣ ΡΑΓΑΣ	PP	32	P6990	32	P6990	32	P6990
9	ΜΑΚΡΙΑ ΡΑΓΑ	PVC	20	P61236	12	P61237	12	P61237
10	ΕΠΕΝΔΥΣΗ	PVC	1	56286ASS16	1	56369ASS16	1	56604ASS17
11	ΑΥΤΟΚΟΛΛΗΤΗ ΤΑΙΝΙΑ 3Μ		1	P6756	1	P6756	1	P6756
12	ΧΑΛΥΒΔΙΝΟ ΤΟΙΧΩΜΑ	ΕΠΙΚΑΛΥΜΜΕΝΟΣ ΧΑΛΥΒΑΣ	1	P61447	1	P61448	1	P61449
13	ΚΑΘΕΤΟ ΣΤΗΡΙΓΜΑ ΠΙΣΙΝΑΣ	ΕΠΙΚΑΛΥΜΜΕΝΟΣ ΧΑΛΥΒΑΣ	8	P6757	8	P6757	8	P6757
14	ΚΑΤΩ ΜΕΤΑΛΛΙΚΟ ΤΕΜΑΧΙΟ	ΧΑΛΥΒΑΣ	8	P6761	8	P6761	8	P6761
15	ΚΑΤΩ ΠΡΟΣΤΑΤΕΥΤΙΚΟ ΣΥΝΔΕΣΗΣ	PP	8	P6759	8	P6759	8	P6759
16	ΒΙΔΑ ST4X14	ΑΝΟΞΕΙΔΩΤΟΣ ΧΑΛΥΒΑΣ 304	22	P61491	28	P61491	34	P61491
17	ΒΑΛΒΙΔΑ ΕΛΕΓΧΟΥ		1	P6(H1)1229	1	P6(H1)1229	1	P6(H1)1229
18	ΣΗΤΑ ΕΙΣΟΔΟΥ ΠΙΣΙΝΑΣ		1	P6H1317	1	P6H1317	1	P6H1317
19	ΠΛΕΥΡΙΚΟΣ ΕΠΑΝΩ ΣΥΝΔΕΣΜΟΣ	PP	2	P6800	4	P6800	6	P6800
20	ΠΛΕΥΡΙΚΟΣ ΚΑΤΩ ΣΥΝΔΕΣΜΟΣ	PP	2	P6801	4	P6801	6	P6801
21	ΠΛΕΥΡΙΚΟ ΕΠΑΝΩ ΜΕΤΑΛΛΙΚΟ ΤΕΜΑΧΙΟ	ΧΑΛΥΒΑΣ	2	P6802	4	P6802	6	P6802
22	ΠΛΕΥΡΙΚΟ ΚΑΤΩ ΜΕΤΑΛΛΙΚΟ ΤΕΜΑΧΙΟ	ΧΑΛΥΒΑΣ	2	P6826	4	P6826	6	P6826
23	ΧΑΛΥΒΔΙΝΟΣ ΙΜΑΝΤΑΣ	ΧΑΛΥΒΑΣ	1	P6810	2	P6810	3	P6810
24	ΚΑΛΥΜΜΑ ΧΑΛΥΒΔΙΝΟΥ ΙΜΑΝΤΑ	PVC	1	P6811	2	P6811	3	P6811
25	ΠΛΕΥΡΙΚΟ ΚΑΘΕΤΟ ΣΤΗΡΙΓΜΑ	ΕΠΙΚΑΛΥΜΜΕΝΟΣ ΧΑΛΥΒΑΣ	2	P61249	4	P61249	6	P61249
26	ΠΛΕΥΡΙΚΟ ΛΟΞΟ ΣΤΗΡΙΓΜΑ	ΕΠΙΚΑΛΥΜΜΕΝΟΣ ΧΑΛΥΒΑΣ	2	P61250	4	P61250	6	P61250
27	ΠΛΕΥΡΙΚΟ ΚΑΤΩ ΣΤΗΡΙΓΜΑ	ΧΑΛΥΒΑΣ	2	P6827	4	P6827	6	P6827
28	ΜΕΣΑ ΚΑΤΩ ΠΡΟΣΤΑΤΕΥΤΙΚΟ	PP	2	P6828	4	P6828	6	P6828
29	ΠΛΕΥΡΙΚΟ ΚΑΤΩ ΠΡΟΣΤΑΤΕΥΤΙΚΟ	PP	2	P61251	4	P61251	6	P61251
30	ΚΟΝΗ ΕΠΑΝΩ ΠΛΑΤΦΟΡΜΑ	ΕΠΙΚΑΛΥΜΜΕΝΟΣ ΧΑΛΥΒΑΣ			6	P61234	8	P61234
31	ΚΟΝΗ ΡΑΓΑ	PVC			12	P61238	16	P61238
32	ΚΛΙΠ	ΠΛΑΣΤΙΚΟ	20		20		20	
33	ΠΡΟΣΤΑΣΙΑ ΑΠΟ ΑΦΡΟ	ΕΡΕ	8	P61473	8	P61473	8	P61473

ΕΠΙΛΟΓΗ ΜΙΑΣ ΚΑΤΑΛΛΗΛΗΣ ΤΟΠΟΘΕΣΙΑΣ

ΠΡΟΕΙΔΟΠΟΙΗΣΗ: Η ΟΡΙΖΟΝΤΙΩΣΗ ΕΙΝΑΙ ΕΞΑΙΡΕΤΙΚΑ ΣΗΜΑΝΤΙΚΗ.

ΕΠΙΛΕΞΤΕ ΠΡΟΣΕΚΤΙΚΑ ΤΗ ΘΕΣΗ ΓΙΑ ΤΗΝ ΚΑΙΝΟΥΡΙΑ ΣΑΣ ΠΙΣΙΝΑ. ΕΙΝΑΙ Η ΠΙΟ ΣΗΜΑΝΤΙΚΗ ΑΠΟΦΑΣΗ ΠΟΥ ΘΑ ΠΡΕΠΕΙ ΝΑ ΚΑΝΕΤΕ ΓΙΑ ΝΑ ΕΞΑΣΦΑΛΙΣΤΕ ΤΗΝ ΑΣΦΑΛΕΙΑ ΚΑΙ ΤΗΝ ΕΠΙΤΥΧΙΑ ΤΗΣ ΚΑΤΑΣΚΕΥΗΣ ΤΗΣ ΠΙΣΙΝΑΣ ΣΑΣ. ΜΙΑ ΚΑΚΩΣ ΕΠΙΛΕΓΜΕΝΗ ΤΟΠΟΘΕΣΙΑ ΘΑ ΜΠΟΡΟΥΣΕ ΝΑ ΠΡΟΚΑΛΕΣΕΙ ΠΡΟΒΛΗΜΑΤΑ ΣΤΟ ΜΕΛΛΟΝ ΠΟΥ ΘΑ ΜΠΟΡΟΥΣΑΝ ΝΑ ΠΡΟΚΑΛΕΣΟΥΝ ΤΡΑΥΜΑΤΙΣΜΟ, ΘΑΝΑΤΟ Η ΟΙΚΟΝΟΜΙΚΗ ΑΠΩΛΕΙΑ. ΔΙΑΒΑΣΤΕ ΠΡΟΣΕΚΤΙΚΑ ΤΗΝ ΠΑΡΑΚΑΤΩ ΛΙΣΤΑ ΕΛΕΓΧΟΥ ΚΑΤΑ ΤΗΝ ΕΠΙΛΟΓΗ ΤΗΣ ΘΕΣΗΣ ΠΟΥ ΘΑ ΣΤΗΣΕΤΕ ΤΗΝ ΠΙΣΙΝΑ ΣΑΣ.

ΑΠΟΔΕΚΤΟ:

ΕΠΙΠΕΔΟ, ΟΡΙΖΟΝΤΙΟ, ΣΤΕΡΕΟ ΚΑΙ ΣΤΕΓΝΟ ΕΔΑΦΟΣ ΜΕ ΕΥΚΟΛΗ ΠΡΟΣΒΑΣΗ ΠΡΟΣ ΟΛΕΣ ΤΙΣ ΠΛΕΥΡΕΣ ΤΗΣ ΠΙΣΙΝΑΣ ΕΚΤΕΘΕΙΜΕΝΟ ΣΕ ΗΛΙΑΚΗ ΑΚΤΙΝΟΒΟΛΙΑ, ΚΑΤΑ ΠΡΟΤΙΜΗΣΗ ΤΟ ΠΡΩΙ ΑΣΦΑΛΗΣ ΠΡΟΣΒΑΣΗ ΣΕ ΗΛΕΚΤΡΙΚΟ ΡΕΥΜΑ ΓΙΑ ΛΕΙΤΟΥΡΓΙΑ ΤΗΣ ΑΝΤΛΙΑΣ ΦΙΛΤΡΟΥ ΚΑΙ ΑΛΛΩΝ ΑΞΕΣΟΥΑΡ ΤΗΣ ΠΙΣΙΝΑΣ ΕΥΚΟΛΗ ΠΡΟΣΒΑΣΗ ΣΕ ΜΙΑ ΠΑΡΟΧΗ ΝΕΡΟΥ ΠΡΟΣΤΑΤΕΥΜΕΝΗ ΑΠΟ ΤΟΝ ΑΝΕΜΟ

ΜΗ ΑΠΟΔΕΚΤΕΣ ΕΠΙΛΟΓΕΣ:

ΕΠΙΚΛΙΝΕΣ, ΑΝΩΜΑΛΟ ΕΔΑΦΟΣ
ΑΜΜΩΔΕΣ, ΒΡΑΧΩΔΕΣ Η ΥΓΡΟ ΕΔΑΦΟΣ
ΚΟΝΤΑ ΣΕ ΞΥΛΙΝΕΣ ΚΑΤΑΣΚΕΥΕΣ (Π.Χ. ΠΕΡΓΟΛΕΣ ΚΑΙ ΚΑΤΑΣΤΡΩΜΑΤΑ)
ΔΙΠΛΑ ΣΕ ΔΕΝΤΡΑ
ΥΠΕΡΚΕΙΜΕΝΑ ΚΑΛΩΔΙΑ ΚΑΙ ΣΧΟΙΝΙΑ ΓΙΑ ΑΠΛΩΜΑ
ΑΠΟΧΕΤΕΥΣΕΙΣ, ΗΛΕΚΤΡΙΚΑ ΚΑΛΩΔΙΑ Η ΑΓΩΓΟΙ ΦΥΣΙΚΟΥ ΑΕΡΙΟΥ ΚΑΤΩ ΑΠΟ ΤΟ ΧΩΡΟ
ΚΑΚΗ Η ΜΙΚΡΗ ΑΠΟΣΤΡΑΓΓΙΣΗ
ΘΕΣΕΙΣ ΜΕ ΥΨΗΛΟ ΚΙΝΔΥΝΟ ΠΛΗΜΜΥΡΩΝ
ΣΥΝΘΗΚΕΣ ΙΣΧΥΡΟΥ ΑΝΕΜΟΥ

ΣΗΜΕΙΩΣΗ: ΑΦΑΙΡΕΣΤΕ ΤΙΣ ΕΞΑΡΣΕΙΣ ΤΟΥ ΕΔΑΦΟΥΣ ΠΑΡΑ ΝΑ ΣΥΜΠΛΗΡΩΣΕΤΕ ΤΙΣ ΒΥΘΙΣΕΙΣ ΤΟΥ ΕΔΑΦΟΥΣ. ΟΛΟ ΤΟ ΓΡΑΣΙΔΙ ΚΑΙ Η ΧΛΟΗ ΚΑΤΩ ΑΠΟ ΟΛΟΚΛΗΡΗ ΤΗΝ ΠΕΡΙΟΧΗ ΤΗΣ ΠΙΣΙΝΑΣ ΘΑ ΠΡΕΠΕΙ ΝΑ ΑΦΑΙΡΕΘΕΙ.

ΣΥΝΑΡΜΟΛΟΓΗΣΗ ΠΙΣΙΝΑΣ

ΠΑΡΑΚΑΛΟΥΜΕ ΑΝΑΤΡΕΞΕΤΕ ΣΤΑ ΒΗΜΑΤΑ ΤΟΥ ΔΙΑΓΡΑΜΜΑΤΟΣ.

ΣΥΝΤΗΡΗΣΗ ΠΙΣΙΝΑΣ

ΠΡΟΕΙΔΟΠΟΙΗΣΗ: ΕΑΝ ΔΕΝ ΣΥΜΜΟΡΦΩΘΕΙΤΕ ΜΕ ΤΙΣ ΟΔΗΓΙΕΣ ΣΥΝΤΗΡΗΣΗΣ ΠΟΥ ΚΑΛΥΠΤΕΙ ΤΟ ΠΑΡΟΝ, Η ΥΓΕΙΑ ΣΑΣ ΜΠΟΡΕΙ ΝΑ ΕΙΝΑΙ ΣΕ ΚΙΝΔΥΝΟ, ΙΔΙΑΙΤΕΡΑ ΕΚΕΙΝΗ ΤΩΝ ΠΑΙΔΙΩΝ. Η ΕΠΕΞΕΡΓΑΣΙΑ ΤΟΥ ΝΕΡΟΥ ΤΗΣ ΠΙΣΙΝΑΣ ΕΙΝΑΙ ΑΠΑΡΑΙΤΗΤΗ ΓΙΑ ΤΗΝ ΑΣΦΑΛΕΙΑ ΤΩΝ ΧΡΗΣΤΩΝ. Η ΑΚΑΤΑΛΛΗΛΗ ΧΡΗΣΗ ΧΗΜΙΚΩΝ ΟΥΣΙΩΝ ΘΑ ΠΡΟΚΑΛΕΣΕΙ ΥΛΙΚΕΣ ΖΗΜΙΕΣ ΚΑΙ ΣΩΜΑΤΙΚΕΣ ΒΛΑΒΕΣ.

ΣΗΜΕΙΩΣΗ: Η ΑΝΤΛΙΑ ΧΡΗΣΙΜΟΠΟΙΕΙΤΑΙ ΓΙΑ ΤΗΝ ΚΥΚΛΟΦΟΡΙΑ ΤΟΥ ΝΕΡΟΥ ΚΑΙ ΤΟ ΦΙΛΤΡΑΡΙΣΜΑ ΤΩΝ ΜΙΚΡΩΝ ΣΩΜΑΤΙΔΙΩΝ. ΠΡΟΚΕΙΜΕΝΟΥ ΝΑ ΔΙΑΤΗΡΗΣΕΤΕ ΤΟ ΝΕΡΟ ΤΗΣ ΠΙΣΙΝΑΣ ΚΑΘΑΡΟ ΚΑΙ ΥΓΙΕΙΝΟ, ΠΡΕΠΕΙ ΝΑ ΠΡΟΣΘΕΣΕΤΕ ΚΑΙ ΧΗΜΙΚΕΣ ΟΥΣΙΕΣ.

- ΣΥΝΙΣΤΑΤΑΙ ΝΑ ΜΗΝ ΓΕΜΙΖΕΙ Η ΠΙΣΙΝΑ ΜΕ ΝΕΡΟ ΑΠΟ ΛΕΚΑΝΗ ΑΠΟΡΡΟΗΣ, ΓΕΩΤΡΗΣΗ, Η ΦΡΕΑΤΑ ΑΠΟΣΤΡΑΓΓΙΣΗΣ: ΑΥΤΑ ΤΑ ΝΕΡΑ ΓΕΝΙΚΑ ΠΕΡΙΕΧΟΥΝ ΜΟΛΥΣΜΕΝΕΣ ΟΡΓΑΝΙΚΕΣ ΟΥΣΙΕΣ, ΣΥΜΠΕΡΙΛΑΜΒΑΝΟΜΕΝΩΝ ΝΙΤΡΙΚΩΝ ΚΑΙ ΦΩΣΦΟΡΙΚΩΝ ΑΛΑΤΩΝ. ΣΥΝΙΣΤΑΤΑΙ Η ΠΛΗΡΩΣΗ ΤΩΝ ΠΙΣΙΝΩΝ ΜΕ ΝΕΡΟ ΑΠΟ ΤΟ ΔΗΜΟΣΙΟ ΔΙΚΤΥΟ.
- ΠΑΝΤΟΤΕ ΔΙΑΤΗΡΕΙΤΕ ΤΗΝ ΠΙΣΙΝΑ ΣΑΣ ΚΑΘΑΡΗ ΚΑΙ ΕΦΑΡΜΟΖΕΤΕ ΤΑ ΣΩΣΤΑ ΧΗΜΙΚΑ ΓΙΑ ΠΙΣΙΝΕΣ. ΤΟ ΑΚΑΤΑΛΛΗΛΟ ΝΕΡΟ ΕΙΝΑΙ ΕΝΑΣ ΣΟΒΑΡΟΣ ΚΙΝΔΥΝΟΣ ΓΙΑ ΤΗΝ ΥΓΕΙΑ. ΣΥΝΙΣΤΑΤΑΙ ΝΑ ΧΡΗΣΙΜΟΠΟΙΕΙΤΕ ΑΠΟΛΥΜΑΝΤΙΚΟ, ΚΡΟΚΙΔΩΤΙΚΟ, ΟΞΙΝΑ Η ΑΛΚΑΛΙΚΑ ΧΗΜΙΚΑ ΓΙΑ ΤΗ ΕΠΕΞΕΡΓΑΣΙΑ ΤΗΣ ΠΙΣΙΝΑΣ ΣΑΣ.
- ΚΑΘΑΡΙΖΕΤΕ ΤΑΚΤΙΚΑ ΤΗΝ ΕΠΕΝΔΥΣΗ PVC ΜΕ ΜΑΛΑΚΕΣ ΒΟΥΡΤΣΕΣ Η ΜΕ ΜΙΑ ΣΚΟΥΠΑ ΠΙΣΙΝΑΣ.
- ΓΙΑ ΟΛΟΚΛΗΡΗ ΤΗ ΣΕΖΟΝ, ΤΟ ΣΥΣΤΗΜΑ ΦΙΛΤΡΑΡΙΣΜΑΤΟΣ ΤΟΥ ΝΕΡΟΥ ΘΑ ΠΡΕΠΕΙ ΝΑ ΛΕΙΤΟΥΡΓΕΙ ΓΙΑ ΑΡΚΕΤΟ ΧΡΟΝΟ ΚΑΘΕ ΗΜΕΡΑ ΩΣΤΕ ΝΑ ΚΑΘΑΡΙΖΕΙ ΤΟ ΣΥΝΟΛΙΚΟ ΟΓΚΟ ΝΕΡΟΥ ΤΗΣ ΠΙΣΙΝΑΣ.
- ΕΛΕΓΧΤΕ ΤΑΚΤΙΚΑ ΤΟ ΣΤΟΙΧΕΙΟ ΦΙΛΤΡΟΥ (Η ΤΗΝ ΑΜΜΟ ΣΕ ΕΝΑ ΦΙΛΤΡΟ ΑΜΜΟΥ) ΚΑΙ ΑΝΤΙΚΑΘΙΣΤΑΤΕ ΤΑ ΒΡΩΜΙΚΑ ΣΤΟΙΧΕΙΑ (Η ΤΗΝ ΑΜΜΟ).
- ΕΛΕΓΧΤΕ ΤΑΚΤΙΚΑ ΤΙΣ ΒΙΔΕΣ, ΤΑ ΜΠΟΥΛΟΝΙΑ ΚΑΙ ΟΛΑ ΤΑ ΜΕΤΑΛΛΙΚΑ ΕΞΑΡΤΗΜΑΤΑ ΓΙΑ ΣΚΟΥΡΙΑ. ΑΝΤΙΚΑΤΑΣΤΗΣΤΕ ΤΑ ΕΑΝ ΧΡΕΙΑΖΕΤΑΙ.
- ΕΑΝ ΒΡΕΞΕΙ, ΒΕΒΑΙΩΘΕΙΤΕ ΟΤΙ Η ΣΤΑΘΜΗ ΤΟΥ ΝΕΡΟΥ ΔΕΝ ΕΙΝΑΙ ΥΨΗΛΟΤΕΡΗ ΑΠΟ ΤΗΝ ΚΑΘΟΡΙΣΜΕΝΗ ΣΤΑΘΜΗ. ΕΑΝ ΤΟ ΝΕΡΟ ΥΠΕΡΒΕΙ ΤΙΣ ΚΑΘΟΡΙΣΜΕΝΕΣ ΣΤΑΘΜΕΣ, ΑΠΟΣΤΡΑΓΓΙΣΤΕ ΤΗΝ ΠΙΣΙΝΑ ΜΕΧΡΙ ΤΗΝ ΚΑΘΟΡΙΣΜΕΝΗ ΣΤΑΘΜΗ.
- ΜΗ ΧΡΗΣΙΜΟΠΟΙΕΙΤΕ ΤΗΝ ΑΝΤΛΙΑ ΟΤΑΝ Η ΠΙΣΙΝΑ ΕΙΝΑΙ ΣΕ ΧΡΗΣΗ.
- ΚΑΛΥΠΤΕΤΕ ΤΗΝ ΠΙΣΙΝΑ ΟΤΑΝ ΔΕΝ ΕΙΝΑΙ ΣΕ ΧΡΗΣΗ.
- ΓΙΑ ΤΗΝ ΕΠΕΞΕΡΓΑΣΙΑ ΤΟΥ ΝΕΡΟΥ ΤΗΣ ΠΙΣΙΝΑΣ, Η ΤΙΜΗ ΤΟΥ ΡΗ ΕΙΝΑΙ ΠΟΛΥ ΣΗΜΑΝΤΙΚΗ.

ΠΡΟΣΟΧΗ: ΜΗΝ ΑΦΗΝΕΤΕ ΤΗΝ ΑΠΟΣΤΡΑΓΓΙΣΜΕΝΗ ΠΙΣΙΝΑ ΕΞΩ. ΟΙ ΠΑΡΑΚΑΤΩ ΠΑΡΑΜΕΤΡΟΙ ΕΞΑΣΦΑΛΙΖΟΥΝ ΚΑΛΗΣ ΠΟΙΟΤΗΤΑΣ ΝΕΡΟ

ΠΑΡΑΜΕΤΡΟΙ	ΤΙΜΕΣ
ΔΙΑΥΓΕΙΑ ΝΕΡΟΥ	ΞΕΚΑΘΑΡΗ ΘΕΑ ΤΟΥ ΠΥΘΜΕΝΑ ΤΗΣ ΠΙΣΙΝΑΣ
ΧΡΩΜΑ ΝΕΡΟΥ	ΔΕΝ ΠΡΕΠΕΙ ΝΑ ΠΑΡΑΤΗΡΕΙΤΑΙ ΟΠΟΙΟΔΗΠΟΤΕ ΧΡΩΜΑ
ΘΟΛΟΤΗΤΑ ΣΕ FNU/NTU	ΜΕΓ. 1.5 (ΚΑΤΑ ΠΡΟΤΙΜΗΣΗ ΜΙΚΡΟΤΕΡΗ ΑΠΟ 0,5)
ΣΥΓΚΕΝΤΡΩΣΗ ΝΙΤΡΙΚΩΝ ΠΑΝΩ ΑΠΟ ΕΚΕΙΝΗ ΤΟΥ ΝΕΡΟΥ ΠΛΗΡΩΣΗΣ ΣΕ MG/L	ΜΕΓ. 20
ΟΛΙΚΟΣ ΟΡΓΑΝΙΚΟΣ ΑΝΘΡΑΚΑΣ (TOC) ΣΕ MG/L	ΜΕΓ. 4,0
ΔΥΝΑΜΙΚΟ ΟΞΕΙΔΩΑΝΑΓΩΓΗΣ ΕΝΑΝΤΙ AG/AGCl 3,5 μ. KCl ΣΕ mV	ΕΛΑΧ. 650
ΤΙΜΗ ΡΗ	6,8 ΕΩΣ 7,6
ΕΛΕΥΘΕΡΟ ΕΝΕΡΓΟ ΧΛΩΡΙΟ (ΧΩΡΙΣ ΚΥΑΝΟΥΡΙΚΟ ΟΞΥ) ΣΕ MG/L	0,3 ΕΩΣ 1,5
ΕΛΕΥΘΕΡΟ ΧΛΩΡΙΟ ΠΟΥ ΧΡΗΣΙΜΟΠΟΙΕΙΤΑΙ ΣΕ ΣΥΝΔΥΑΣΜΟ ΜΕ ΚΥΑΝΟΥΡΙΚΟ ΟΞΥ ΣΕ MG/L	1,0 ΕΩΣ 3,0
ΚΥΑΝΟΥΡΙΚΟ ΟΞΥ ΣΕ MG/L	ΜΕΓ. 100
ΣΥΝΔΥΑΣΜΕΝΟ ΧΛΩΡΙΟ ΣΕ MG/L	ΜΕΓ. 0,5 (ΚΑΤΑ ΠΡΟΤΙΜΗΣΗ ΛΙΓΟΤΕΡΟ ΑΠΟ 0,0 MG/L)

ΠΡΟΕΤΟΙΜΑΣΙΑ ΓΙΑ ΤΟ ΧΕΙΜΩΝΑ

ΕΑΝ ΔΕΝ ΘΕΛΕΤΕ ΝΑ ΑΠΟΣΥΝΑΡΜΟΛΟΓΗΣΕΤΕ ΤΗΝ ΠΙΣΙΝΑ ΓΙΑ ΤΟ ΧΕΙΜΩΝΑ, ΑΚΟΛΟΥΘΗΣΤΕ ΤΙΣ ΠΑΡΑΚΑΤΩ ΟΔΗΓΙΕΣ:

ΣΗΜΑΝΤΙΚΟ: ΜΗΝ ΑΠΟΣΤΡΑΓΓΙΖΕΤΕ ΟΛΟ ΤΟ ΝΕΡΟ ΤΗΣ ΠΙΣΙΝΑΣ. ΕΑΝ ΤΟ ΚΑΝΕΤΕ ΑΥΤΟ, Η ΠΙΣΙΝΑ ΜΠΟΡΕΙ ΝΑ ΥΠΟΣΤΕΙ ΖΗΜΙΑ ΑΠΟ ΙΣΧΥΡΟ ΑΝΕΜΟ. ΑΠΟΣΤΡΑΓΓΙΣΤΕ ΤΟ ΝΕΡΟ ΜΕΧΡΙ ΤΑ 10CM ΚΑΤΩ ΑΠΟ ΤΗ ΒΑΛΒΙΔΑ ΕΙΣΟΔΟΥ ΣΤΟ ΤΟΙΧΩΜΑ ΤΗΣ ΠΙΣΙΝΑΣ.

- ΑΠΟΣΤΡΑΓΓΙΣΤΕ ΤΟ ΝΕΡΟ ΜΕΧΡΙ ΤΑ 10CM ΚΑΤΩ ΑΠΟ ΤΗ ΒΑΛΒΙΔΑ ΕΙΣΟΔΟΥ ΣΤΟ ΤΟΙΧΩΜΑ ΤΗΣ ΠΙΣΙΝΑΣ. ΜΠΟΡΕΙΤΕ ΝΑ ΧΡΗΣΙΜΟΠΟΙΗΣΕΤΕ ΜΙΑ ΑΝΤΛΙΑ Η ΕΝΑ ΛΑΣΤΙΧΟ ΚΗΠΟΥ (ΔΙΑΓΡΑΜΜΑ 28,29).
- ΕΠΕΞΕΡΓΑΣΤΕΙΤΕ ΤΟ ΝΕΡΟ ΤΗΣ ΠΙΣΙΝΑΣ ΜΕ ΕΝΑ ΚΑΤΑΛΛΗΛΟ ΧΗΜΙΚΟ ΠΡΟΪΟΝ.
- ΑΦΑΙΡΕΣΤΕ ΤΟ ΣΥΣΤΗΜΑ ΦΙΛΤΡΑΡΙΣΜΑΤΟΣ ΑΠΟ ΤΗΝ ΠΙΣΙΝΑ. ΜΠΟΡΕΙΤΕ ΝΑ ΑΦΗΣΕΤΕ ΤΙΣ ΕΙΣΟΔΟΥΣ/ΕΞΟΔΟΥΣ ΣΥΝΔΕΔΕΜΕΝΕΣ ΣΤΗΝ ΠΙΣΙΝΑ.
- ΕΠΙΣΗΣ ΑΦΑΙΡΕΣΤΕ ΟΠΟΙΟΔΗΠΟΤΕ ΑΛΛΑ ΠΑΡΕΛΚΟΜΕΝΑ ΤΗΣ ΠΙΣΙΝΑΣ ΚΑΙ ΑΠΟΘΗΚΕΥΣΤΕ ΤΑ ΣΕ ΣΤΕΓΝΟ ΚΑΙ ΔΡΟΣΕΡΟ ΜΕΡΟΣ.
- ΠΡΟΣΤΑΤΕΥΨΤΕ ΤΗΝ ΠΙΣΙΝΑ ΣΚΕΠΙΑΖΟΝΤΑΣ ΤΗΝ ΜΕ ΤΟ ΚΑΛΥΜΜΑ ΤΗΣ.

ΕΑΝ ΘΕΛΕΤΕ ΝΑ ΑΠΟΣΥΝΑΡΜΟΛΟΓΗΣΕΤΕ ΤΗΝ ΠΙΣΙΝΑ ΤΟ ΧΕΙΜΩΝΑ, ΑΚΟΛΟΥΘΗΣΤΕ ΤΙΣ ΠΑΡΑΚΑΤΩ ΟΔΗΓΙΕΣ:

- ΑΠΟΣΤΡΑΓΓΙΣΤΕ ΤΗΝ ΠΙΣΙΝΑ ΜΕ ΕΝΑ ΛΑΣΤΙΧΟ ΚΗΠΟΥ, Η ΧΡΗΣΙΜΟΠΟΙΗΣΤΕ ΜΙΑ ΑΝΤΛΙΑ ΑΠΟΣΤΡΑΓΓΙΣΗΣ ΓΙΑ ΝΑ ΑΔΕΙΑΣΕΤΕ ΤΗΝ ΠΙΣΙΝΑ (ΔΙΑΓΡΑΜΜΑ 28).
- ΚΑΘΑΡΙΣΤΕ ΟΛΑ ΤΑ ΕΞΑΡΤΗΜΑΤΑ ΤΗΣ ΠΙΣΙΝΑΣ ΜΕ ΕΝΑ ΣΦΟΥΓΓΑΡΙ ΚΑΙ ΣΑΠΟΥΝΙ ΜΕ ΟΥΔΑΙΤΕΡΟ ΡΗ. ΣΤΕΓΝΩΣΤΕ ΤΑ ΚΑΙ ΑΠΟΘΗΚΕΥΣΤΕ ΤΑ ΣΕ ΕΝΑ ΣΤΕΓΝΟ ΚΑΙ ΚΑΘΑΡΟ ΧΩΡΟ.

ОВАЛЬНЫЕ БАССЕЙНЫ HYDRIMUM™

РУКОВОДСТВО ПОЛЬЗОВАТЕЛЯ



Посетите канал Bestway на YouTube

№ изделия	Размеры	Тип комплекта	Принадлежности
#56586 #56583 #56587	16.4' x 12' x 48" (5.00м x 3.6м x 1.2м)	Комплект "наземный плавательный бассейн"	<input checked="" type="checkbox"/> Фильтрующая система <input checked="" type="checkbox"/> Лестница <input checked="" type="checkbox"/> Нижняя подкладка
#56369 #56371 #56370	20' x 12' x 48" (6.10м x 3.6м x 1.2м)		
#56604 #56606	24' x 12' x 48" (7.40м x 3.6м x 1.2м)		

! ВНИМАНИЕ!

Внимательно прочитайте информацию в руководстве пользователя, убедитесь в том, что вам все понятно, и следуйте указаниям при установке и использовании бассейна. Эти предостережения, инструкции, меры предосторожности предупреждают о некоторых распространенных рисках отдыха и игр в воде, но не покрывают всех риски и все возможные опасности. Будьте осторожны, рассудительны и разумны при отдыхе и играх в воде. Сохраните эту брошюру для дальнейшего использования в справочных целях.

Безопасность пользователей, не умеющих плавать

- Компетентный взрослый должен постоянно внимательно и активно присматривать за детьми, которые не умеют плавать или плавают не очень хорошо (помните, что наибольшему риску утонуть подвержены дети до пяти лет).
- Каждый раз при использовании бассейна поручайте наблюдение за детьми компетентному взрослому.
- Дети, которые не умеют плавать или плавают не очень хорошо, должны использовать специальное защитное снаряжение при использовании бассейна.
- Когда бассейн не используется, или когда за ним никто не присматривает, уберите все игрушки из бассейна и прилегающей зоны, чтобы дети не могли заинтересоваться ими и приблизиться к бассейну.

Устройства, обеспечивающие безопасность

- Чтобы предотвратить риск утопления детей, рекомендуется закрыть доступ в бассейн защитным ограждением. Чтобы помешать детям карабкаться на впускной и выпускной клапаны, рекомендуется установить ограждение (и заблокировать все окна и двери, если они имеются), чтобы предотвратить доступ в бассейн без разрешения.
- Ограждения, покрытия бассейна, сигнализация в бассейне и прочие защитные устройства полезны, но они не могут заменить постоянное и компетентное наблюдение, осуществляемое взрослыми.

Оборудование, обеспечивающее безопасность

- Рекомендуется хранить спасательное оборудование (напр., спасательный круг) в непосредственной близости от бассейна.
- Держите работающий телефон и список номеров телефонов экстренной связи в непосредственной близости от бассейна.

Безопасное использование бассейна

- Посоветуйте всем пользователям, особенно детям, научиться плавать.
- Изучите базовые техники экстренной первой помощи (сердечно-легочная реанимация - СЛР) и регулярно освежайте ваши знания. Если произойдет несчастный случай, вы сможете спасти жизнь человека.
- Объясните все пользователям бассейна, особенно детям, что делать в случае чрезвычайного происшествия.
- Никогда не ныряйте на мелководье. Это может привести к серьезным травмам или смерти.
- Не используйте бассейн, если вы выпили алкогольный напиток или приняли лекарство, которое может негативно повлиять на вашу способность безопасно пользоваться бассейном.
- Если вы используете покрытие бассейна, полностью уберите его с поверхности воды перед тем, как использовать бассейн.
- Защищайте пользователей бассейна от болезней, которые могут передаваться через воду, регулярно очищая воду и следуя правилам гигиены. Следуйте инструкциям по очистке воды, содержащимся в этом руководстве пользователя.

- храните химикаты (напр., для очистки воды, чистящие и дезинфицирующие средства) в недоступном для детей месте.
- Используйте сигналы, как указано ниже. Сигналы должны быть установлены на видном месте за 2 м. до бассейна.
- В воде дети должны находиться под присмотром взрослых. Нырять запрещается.
- Съемные лестницы должны быть установлены на ровной поверхности.
- Независимо от материалов, из которых изготовлен бассейн, регулярно проверяйте доступные поверхности, чтобы избежать риска травм.
- Регулярно проверяйте болты и винты; удаляйте обломки и острые углы, чтобы избежать риска травм.

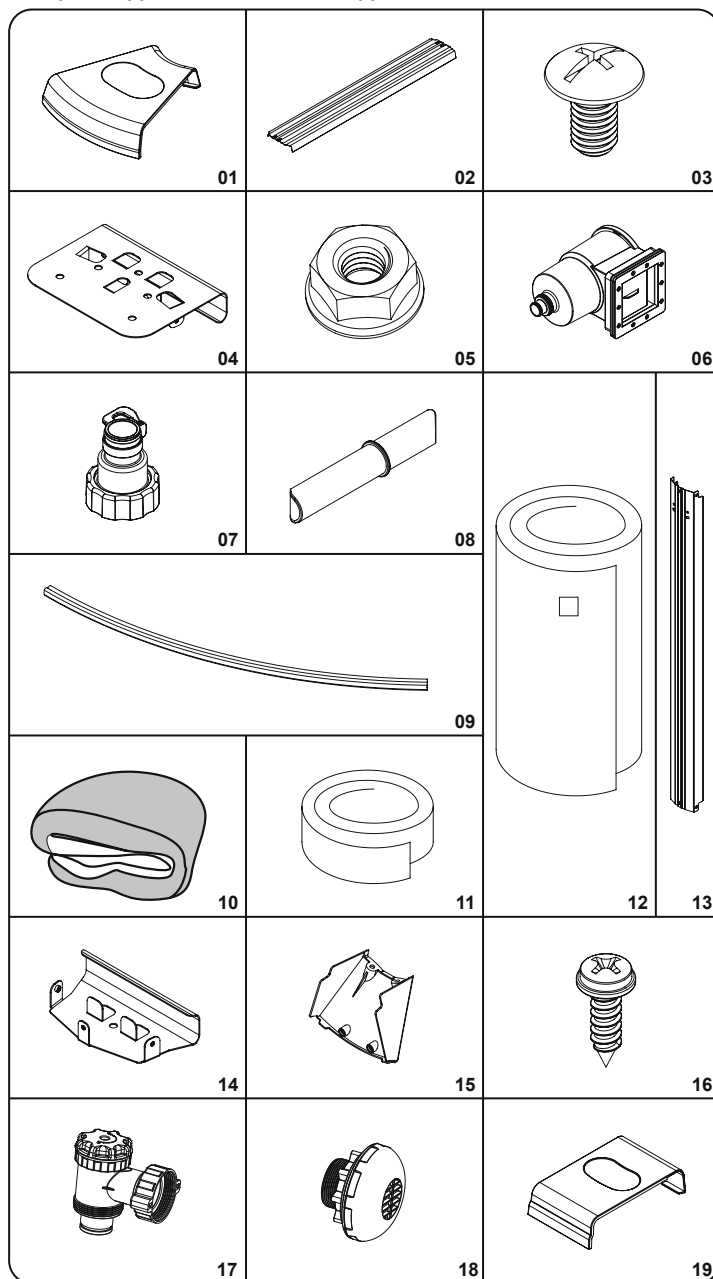
- **ВНИМАНИЕ:** Не оставляйте бассейн со слитой водой на улице. Пустой бассейн может деформироваться и/или опрокинуться от ветра.
- Если у вас фильтрующий насос, см. инструкции в руководстве пользователя насоса.
- **ВНИМАНИЕ!** Запрещается пользоваться насосом, когда люди находятся в бассейне!
- Если у вас лестница, см. инструкции в руководстве пользователя лестницы.

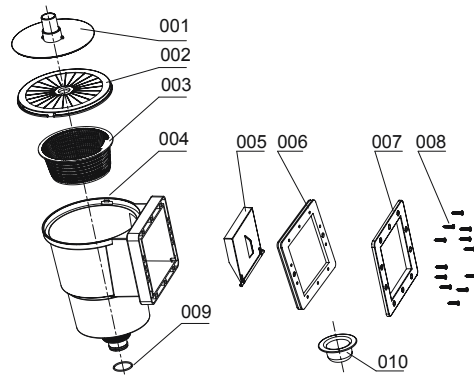
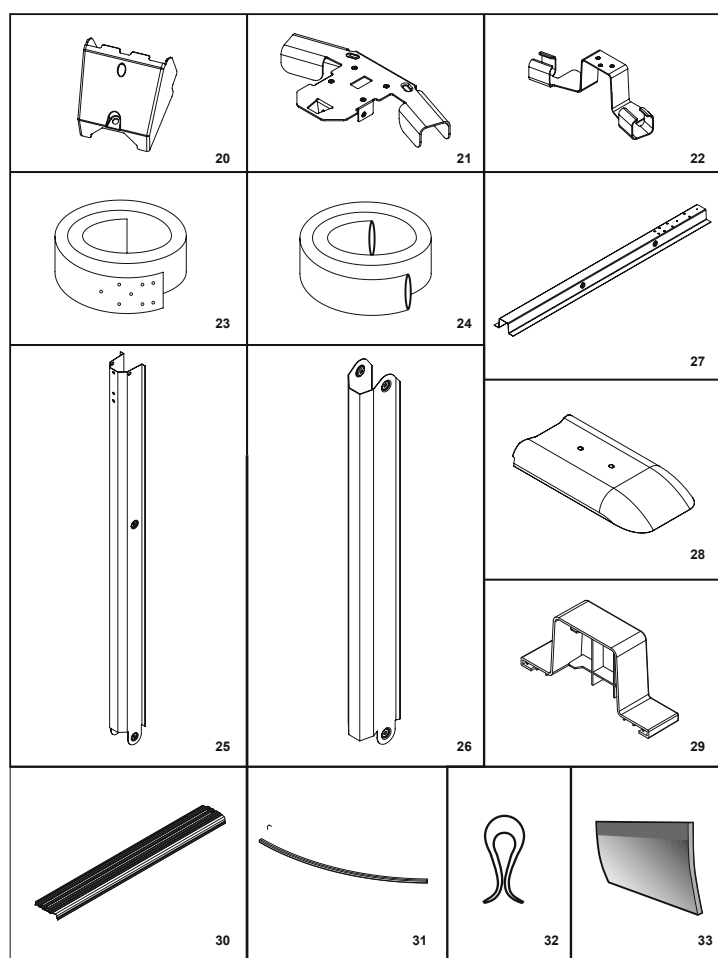
ВНИМАНИЕ! При использовании плавательным бассейном необходимо соблюдать инструкции по технике безопасности, содержащиеся в руководстве по эксплуатации и обслуживанию. Чтобы избежать опасности утопления или других серьезных травм, внимательно следите за тем, чтобы дети до 5 лет не попали в бассейн без разрешения. Оборудуйте доступ к бассейну защитными устройствами и постоянно держите детей под наблюдением взрослых во время использования бассейна.

ПРИМЕЧАНИЕ: При установке бассейна скиммер следует расположить так, чтобы основные ветры дули в его сторону. Лестница бассейна должна быть расположена на удалении от скиммера.

Внимательно изучите инструкции и сохраните их для дальнейшего использования в справочных целях

Общий вид компонентов с кодами

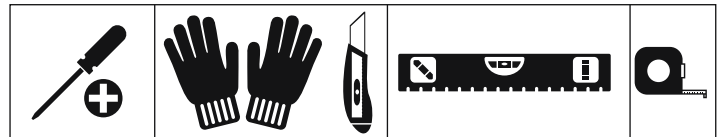




СПИСОК ЧАСТЕЙ СКИММЕРА

№	Наименование	Количество	№ запасной части
001	Насадка шланга	1	P6774
002	Крышка	1	P6991
003	Корзина	1	P6776
004	Скиммер	1	P6777
005	Водослив	1	P6992
006	Прокладка	1	P6993
007	Передняя пластина	1	P6780
008	винт M5x22	12	/
009	Уплотнительное кольцо	1	/
010	Заглушка	1	P6813

Необходимые инструменты (не входят в комплект):



Установка силами 2-3 человек обычно занимает приблизительно 3 часа, не считая земляных работ и наполнения бассейна водой.

№	Наименование	Материал	16.4' x 12' x 48"		20' x 12' x 48"		24' x 12' x 48"	
			Кол-во	№ запасной части	Кол-во	№ запасной части	Кол-во	№ запасной части
1	Протектор верхнего соединения	Полипропилен	8	P6743	8	P6743	8	P6743
2	Верхняя плоская платформа	Сталь с покрытием	10	P6745	6	P6745	6	P6745
3	Болт M6x11	Нержавеющая сталь 304	170	P6746	214	P6746	260	P6746
4	Верхняя металлическая деталь	Сталь	8	P6747	8	P6747	8	P6747
5	Гайка M6	Нержавеющая сталь 304	52	P6748	74	P6748	98	P6748
6	Скиммер		1	P6762	1	P6762	1	P6762
7	Переходник шланга		2	F6H202	2	F6H202	2	F6H202
8	Соединитель направляющих	Полипропилен	32	P6990	32	P6990	32	P6990
9	Длинная направляющая	ПВХ	20	P61236	12	P61237	12	P61237
10	Чаша	ПВХ	1	56286ASS16	1	56369ASS16	1	56604ASS17
11	Самоклеющаяся лента 3М		1	P6756	1	P6756	1	P6756
12	Стальная стенка	Сталь с покрытием	1	P61447	1	P61448	1	P61449
13	Вертикальная стойка бассейна	Сталь с покрытием	8	P6757	8	P6757	8	P6757
14	Нижняя металлическая деталь	Сталь	8	P6761	8	P6761	8	P6761
15	Протектор нижнего соединения	Полипропилен	8	P6759	8	P6759	8	P6759
16	Винт ST4x14	Нержавеющая сталь 304	22	P61491	28	P61491	34	P61491
17	Регулирующий клапан		1	P6(H1)1229	1	P6(H1)1229	1	P6(H1)1229
18	Сетчатый фильтр впускного отверстия		1	P6H1317	1	P6H1317	1	P6H1317
19	Протектор бокового верхнего соединения	Полипропилен	2	P6800	4	P6800	6	P6800
20	Протектор бокового нижнего соединения	Полипропилен	2	P6801	4	P6801	6	P6801
21	Боковая верхняя металлическая деталь	Сталь	2	P6802	4	P6802	6	P6802
22	Боковая нижняя металлическая деталь	Сталь	2	P6826	4	P6826	6	P6826
23	Стальной пояс	Сталь	1	P6810	2	P6810	3	P6810
24	Покрытие стального пояса	ПВХ	1	P6811	2	P6811	3	P6811
25	Боковая вертикальная стойка	Сталь с покрытием	2	P61249	4	P61249	6	P61249
26	Наклонная вертикальная стойка	Сталь с покрытием	2	P61250	4	P61250	6	P61250
27	Боковая нижняя опора	Сталь	2	P6827	4	P6827	6	P6827
28	Внутренний нижний протектор	Полипропилен	2	P6828	4	P6828	6	P6828
29	Протектор бокового нижнего соединения	Полипропилен	2	P61251	4	P61251	6	P61251
30	Короткая верхняя платформа	Сталь с покрытием			6	P61234	8	P61234
31	Короткая направляющая	ПВХ			12	P61238	16	P61238
32	Прищепки	Пластик	20		20		20	
33	Защита из пеноматериала	ЕРЕ(вспененный полиэтилен)	8	P61473	8	P61473	8	P61473

ВЫБОР ПОДХОДЯЩЕГО МЕСТА

ВНИМАНИЕ: Планировка чрезвычайно важна.

Тщательно выбирайте место для нового бассейна. Это ваше самое важное решение, принимаемое для обеспечения безопасной и успешной установки конструкции бассейна. Неверно выбранное место может создать проблемы в будущем и привести к травмам, смертельным случаям и финансовым убыткам. При выборе места установки бассейна внимательно прочитайте контрольный список, приведенный ниже.

Допускается:

Ровный, горизонтальный, твердый и сухой участок с удобным доступом к бассейну со всех сторон

Место, открытое для прямых солнечных лучей, предпочтительно, в утренние часы

Безопасный доступ к электроснабжению для работы фильтрующего насоса и других принадлежностей бассейна

Удобный доступ к источнику воды

Защита от ветра

Недопустимо:

Наклонная, неровная поверхность

Песчаный, каменистый или болотистый грунт

Близость к деревянным конструкциям (например, к перголам и настилам)

Близость к деревьям

Проходящие над бассейном провода и веревки для сушки белья

Наличие канализации, электропроводов или газовых труб под участком

Плохой или слабый дренаж

Места с высоким риском наводнения

Условия сильного ветра

ПРИМЕЧАНИЕ: Снимайте возвышения грунта, а не заполняйте углубления. Вся трава и газон на всей площади, которая окажется под бассейном, должны быть убраны.

СБОРКА БАСЕЙНА

Следуйте шагам, указанным на схеме.

ОБСЛУЖИВАНИЕ БАСЕЙНА

Предупреждение: В случае невыполнения указанных рекомендаций по обслуживанию, бассейна, вы можете подвергнуть опасности свое здоровье, особенно здоровье детей. Очистка воды бассейна необходима для безопасности пользователей. Неправильное использование химикатов может принести материальный вред и ущерб здоровью людей.

ПРИМЕЧАНИЕ: Насос используется для циркуляции воды и для фильтрации мелких частиц. Для поддержания чистоты и гигиены воды в бассейне вам также следует использовать химикаты.

1. Не рекомендуется заполнять бассейн застойной водой, водой из пробуренной скважины или из дренажного колодца: такая вода как правило загрязнена органическими субстанциями, в том числе нитратами и фосфатами. Рекомендуется заполнять бассейн водой из общественного водопровода.
2. Постоянно поддерживайте чистоту в бассейне и применяйте соответствующие химикаты. Антисанитарное состояние воды представляет серьезную опасность для здоровья. Рекомендуется использовать дезинфицирующие, кислотные или щелочные химикаты и флокулянты для очистки воды бассейна.
3. Регулярно выполняйте чистку чаши бассейна из поливинилхлорида с помощью неабразивных щеток или пылесоса.
4. В течение сезона система фильтрации воды ежедневно должна работать достаточно долго, чтобы очищать весь объем воды в бассейне.
5. Регулярно проверяйте картриджи фильтра (или песок в песочном фильтре) и заменяйте загрязненные картриджи (или песок).
6. Регулярно проверяйте винты, болты и все металлические детали на предмет ржавчины. При необходимости заменяйте их.
7. Если идет дождь, следите, чтобы уровень воды не превышал указанного уровня. Если уровень воды превышает указанный уровень, слейте воду из бассейна до указанного уровня.
8. Не пользуйтесь насосом во время использования бассейна.
9. Накрывайте бассейн, когда он не используется.
10. Для очистки воды бассейна крайне важен кислотно-щелочной баланс.

ВНИМАНИЕ: Не оставляйте бассейн со слитой водой на улице. Следующие параметры являются показателем воды хорошего качества

Параметры	Значения
Прозрачность воды	ясно видно дно бассейна
Цвет воды	Вода должна быть бесцветной
Мутность в FNU/NTU	макс 1,5 (лучше, если меньше 0,5)
Концентрация нитратов больше наполнения водой в мг/л	макс. 20
Общее количество органического углерода (ООУ) в мг/л	макс. 4,0
Редокс-потенциал против Ag/AgCl 3,5 м KCl в мВ	мин. 650
значение pH	от 6,8 до 7,6
Свободный активный хлор (без циануровой кислоты) в мг/л	от 0,3 до 1,5
Свободный хлор в комбинации с циануровой кислотой в мг/л	от 1,0 до 3,0
Циануровая кислота в мг/л	макс. 100
Смешанный хлор в мг/л	макс. 0,5 (лучше, если ближе к 0,0 мг/л)

ПОДГОТОВКА К ЗИМЕ

Если вы не хотите разбирать бассейн на зиму, придерживайтесь следующих рекомендаций:

ВАЖНО: Не сливайте всю воду из бассейна. Если слить всю воду, бассейн может быть поврежден сильным ветром. Слейте воду до уровня 10 см ниже впускного клапана на стенке бассейна.

1. Слейте воду до уровня 10 см ниже впускного клапана на стенке бассейна. Для этого можно использовать насос или садовый шланг (Схема 28,29).
2. Выполните обработку воды соответствующими химикатами.
3. Подсоедините к бассейну систему фильтрации. Впускные и выпускные соединения можно оставить в прикрепленном к бассейну виде.
4. Снимите также другие принадлежности бассейна и сохраните их в сухом прохладном месте.
5. Накройте бассейн чехлом для защиты.

Если вы хотите разобрать бассейн на зиму, придерживайтесь следующих рекомендаций:

1. Слейте воду из бассейна с помощью садового шланга или используйте дренажный насос для того, чтобы слить воду (Схема 28).
2. Очистите все части бассейна губкой и мылом с нейтральным pH. Высушите их и сложите на хранение в чистом и сухом месте.

OWALNE BASENY

HYDRIMUM™

INSTRUKCJA OBSŁUGI



Odwiedź stronę Bestway na YouTube

Nr. produktu	Wymiary	Rodzaj zestawu	Akcesoria
#56586 #56583 #56587	16.4' x 12' x 48" (5.00m x 3.6m x 1.2m)	Zestaw basenu naziemnego	<input checked="" type="checkbox"/> System filtrujący <input checked="" type="checkbox"/> Drabina <input checked="" type="checkbox"/> Płachta pod basen
#56369 #56371 #56370	20' x 12' x 48" (6.10m x 3.6m x 1.2m)		
#56604 #56606	24' x 12' x 48" (7.40m x 3.6m x 1.2m)		

! OSTRZEŻENIE !

Przed montażem i użyciem basenu przeczytaj dokładnie i ze zrozumieniem wszystkie informacje zawarte w instrukcji obsługi i postępuj zgodnie z nimi. Ostrzeżenia, instrukcje i wskazówki dotyczące bezpieczeństwa obejmują niektóre z zagrożeń powszechnych dla rekreacji wodnej, nie obejmują w żadnym razie wszystkich możliwych zagrożeń. Przy każdej zabawie w wodzie należy kierować się zdrowym rozsądkiem i oceną sytuacji. Zachowaj tą informację do późniejszego wglądu.

Bezpieczeństwo osób nie umiejących pływać

- Wymagany jest zawsze ciągły, aktywny i czujny nadzór kompetentnej osoby dorosłej jeśli w basenie znajdują się słabo pływające lub nieumiejące pływać (pamiętaj, że dzieci poniżej 5 roku życia są zagrożone w najwyższym stopniu utonięciem).
- Przed każdym użyciem basenu wyznacz kompetentną osobą dorosłą w celu jego nadzoru.
- Osoby słabo pływające lub nieumiejące pływać, podczas korzystania z basenu powinny zakładać środki ochrony indywidualnej.
- Kiedy basen nie jest używany lub pozostaje bez nadzoru, należy usunąć z niego i jego otoczenia wszystkie zabawki, aby w ten sposób nie przyciągać uwagi dzieci.

Środki ochrony osobistej

- Aby zapobiec utonięciu, zaleca się zabezpieczenie dostępu dzieci do basenu przy pomocy odpowiednich urządzeń ochronnych. Aby zapobiec wspinaniu się przez dzieci na zawór wlotowy i wylotowy, zalecane jest zamontowanie bariery (i zabezpieczenie w razie potrzeby wszystkich drzwi i okien) zapobiegającej nieupoważnionemu dostępowi do basenu.
- Bariery, pokrywy na basen lub podobne zabezpieczenia stanowią użyteczną pomoc, ale nie zastępują stalego i kompetentnego nadzoru przez dorosłych.

Sprzęt ratunkowy

- Zaleca się posiadanie sprzętu ratunkowego (np. koła ratunkowego) w pobliżu basenu.
- W pobliżu basenu należy mieć działający telefon oraz listę numerów telefonów ratunkowych.

Bezpieczne korzystanie z basenu

- Zachęcaj wszystkich użytkowników, a szczególnie dzieci do nauki pływania.
- Naucz się podstawowych technik ratowania życia (resuscytacji krążeniowo-oddechowej – CPR) i regularnie odświeżaj tę wiedzę. Może ona pomóc w uratowaniu życia w nagłym wypadku.
- Naucz wszystkich użytkowników basenu, w tym dzieci, co mają robić w razie niebezpieczeństwa.
- Nigdy nie wskazuj na główkę do płytkiej wody. Może to spowodować poważne obrażenia, a nawet śmierć.
- Nie korzystaj z basenu po spożyciu alkoholu lub leków, które mogą negatywnie wpływać na zdolność bezpiecznego korzystania z basenu.
- W przypadku używania pokryw na basen, przed wejściem do basenu zdejmij je całkowicie z powierzchni wody.
- Chroń użytkowników basenu przed chorobami związanymi z wodą uzdatniając wodę do basenu i zachowując zasady prawidłowej higieny. Zapoznaj się z wytycznymi dotyczącymi uzdatniania wody w instrukcji obsługi.

- Chemikalia (np. środki do uzdatniania wody, czyszczące i dezynfekcyjne) trzymaj poza zasięgiem dzieci.
- Stosuj oznakowanie opisane poniżej. Oznakowanie należy ustawić w widocznym miejscu w odległości nie większej niż 2 m od basenu.
- Nadzoruj dzieci w środowisku wodnym. Nie nurkować.
- Zdejmowane drabinki należy ustawiać na powierzchni poziomej.
- Aby uniknąć obrażeń, powierzchnie dostępne należy regularnie sprawdzać, niezależnie od materiałów konstrukcyjnych basenu.
- Należy regularnie sprawdzać śruby i wkręty. Aby uniknąć obrażeń należy usuwać odpryski i wszelkie ostre krawędzie.

- **UWAGA:** Po wypuszczeniu wody, nie pozostawiaj basenu na zewnątrz. Pusty basen może zostać odkształcony i/lub przemieszczony przez wiatr.

- W przypadku montażu pompy filtrującej, dla uzyskania wskazówek należy zapoznać się z jej instrukcją obsługi.

OSTRZEŻENIE! Pompy nie wolno używać, kiedy w basenie przebywają ludzie.

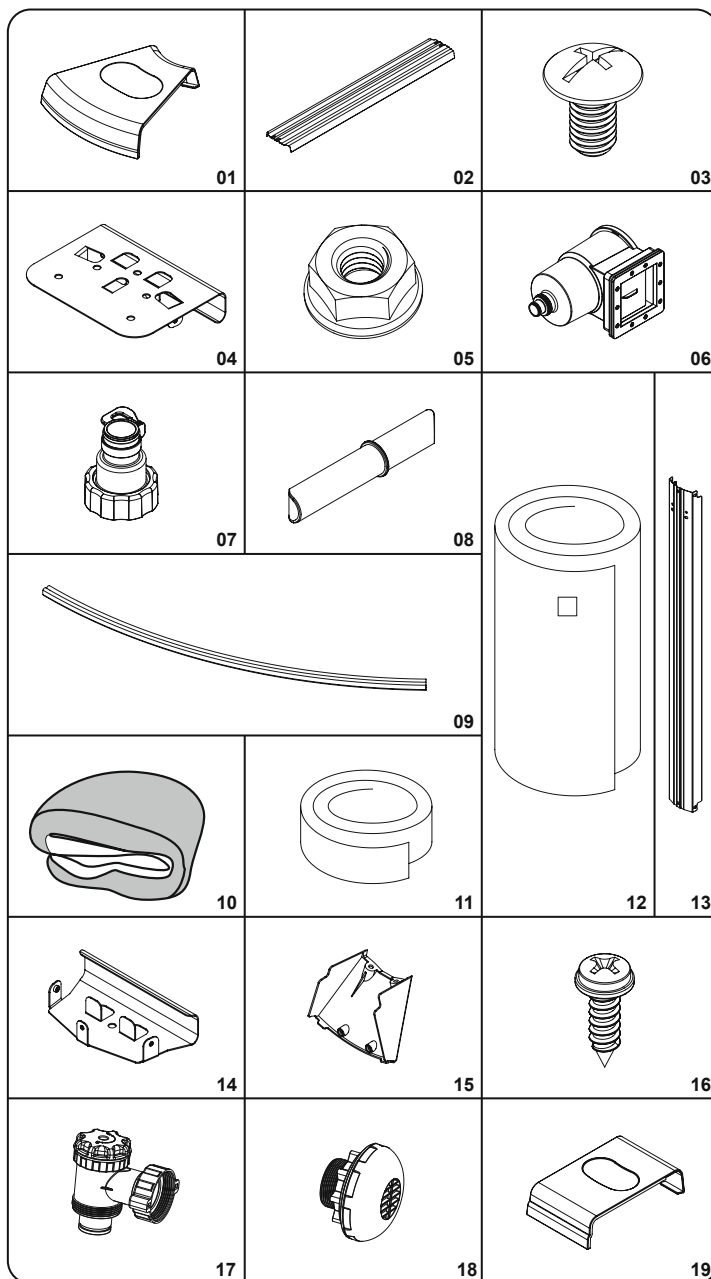
- W przypadku stosowania drabinki, dla uzyskania wskazówek należy zapoznać się z jej instrukcją obsługi.

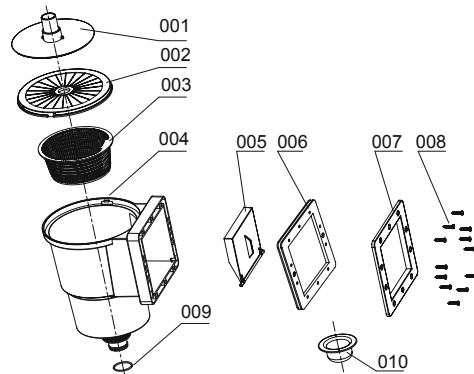
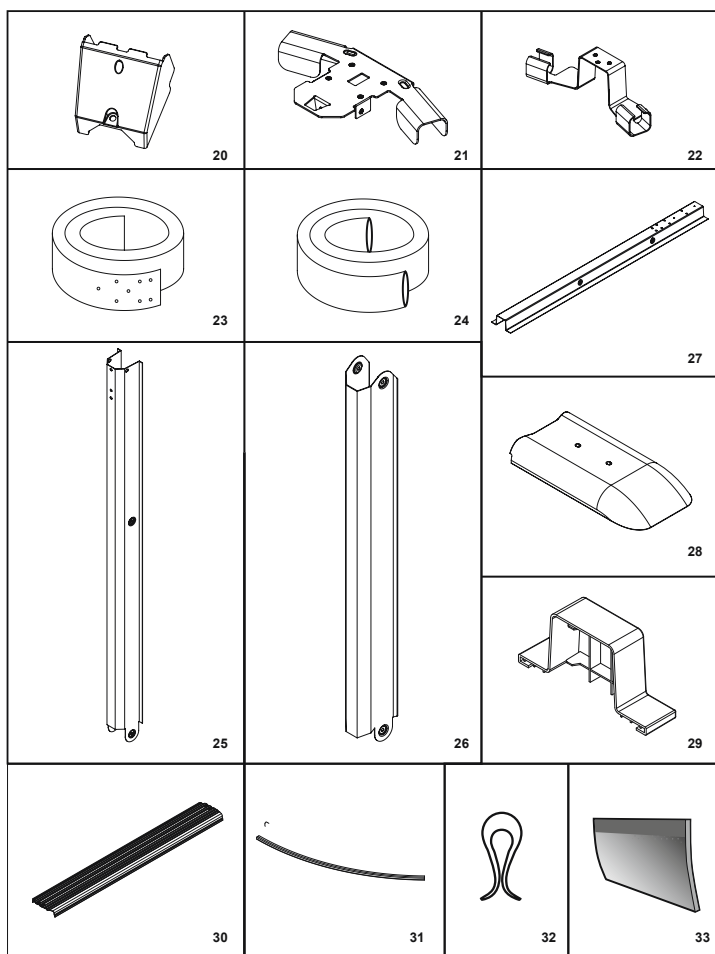
OSTRZEŻENIE! Używanie basenu jest równoznaczne z akceptacją i przestrzeganiem zasad bezpieczeństwa zamieszczonych w instrukcji obsługi i konserwacji. Aby uniknąć utonięć lub innych poważnych obrażeń, należy zwracać szczególną uwagę na możliwość niespodzianego wejścia do basenu przez dzieci w wieku poniżej 5 lat. Należy w tym celu zabezpieczyć wejście do basenu, a kąpiące się dzieci muszą być pod stałym nadzorem osoby dorosłej.

UWAGA: Podczas montażu basenu, skimer należy umieścić pod wiatr w stosunku do basenu. Drabinę należy zamontować daleko od skimera.

Prosimy o dokładne przeczytanie i zachowanie niniejszego dokumentu do późniejszego wglądu.

Spis części

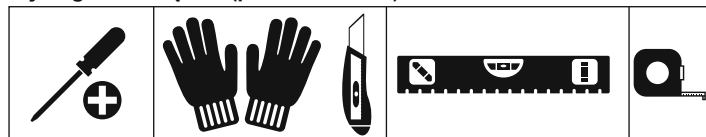




LISTA CZĘŚCI SKIMMERA

Nr	Nazwa	Ilość	Nr części zamiennej
001	Zaczepek węża	1	P6774
002	Pokrywa	1	P6991
003	Kosz	1	P6776
004	Skimmer	1	P6777
005	Przelew	1	P6992
006	Uszczelka	1	P6993
007	Płyta powierzchniowa	1	P6780
008	Wkręt M5x22	12	/
009	Pierścień O-ring	1	/
010	Korek	1	P6813

Wymagane narzędzia (poza zestawem):



Montaż zazwyczaj zajmuje około 3 godzin i wymaga 2-3 osób, z wyłączeniem prac ziemnych i napełniania.

Nr	Nazwa	Materiał	16.4' x 12' x 48"		20' x 12' x 48"		24' x 12' x 48"	
			Il.	Nr części zamiennej	Il.	Nr części zamiennej	Il.	Nr części zamiennej
1	Górne zabezpieczenie złącza	PP	8	P6743	8	P6743	8	P6743
2	Długi podest górny	Stal powlekana	10	P6745	6	P6745	6	P6745
3	Śruba M6x11	Stal nierdzewna 304	170	P6746	214	P6746	260	P6746
4	Górny element metalowy	Stal	8	P6747	8	P6747	8	P6747
5	Nakrętka M6	Stal nierdzewna 304	52	P6748	74	P6748	98	P6748
6	Skimmer		1	P6762	1	P6762	1	P6762
7	Adapter węża		2	F6H202	2	F6H202	2	F6H202
8	Złącze szyny	PP	32	P6990	32	P6990	32	P6990
9	Szyna długa	PCV	20	P61236	12	P61237	12	P61237
10	Wkładka	PCV	1	56286ASS16	1	56369ASS16	1	56604ASS17
11	Taśma samoprzylepna 3M		1	P6756	1	P6756	1	P6756
12	Stalowa ścianka	Stal powlekana	1	P61447	1	P61448	1	P61449
13	Wspornik pionowy basenu	Stal powlekana	8	P6757	8	P6757	8	P6757
14	Dolny element metalowy	Stal	8	P6761	8	P6761	8	P6761
15	Dolne zabezpieczenie złącza	PP	8	P6759	8	P6759	8	P6759
16	Wkręt ST4x14	Stal nierdzewna 304	22	P61491	28	P61491	34	P61491
17	Zawór regulacyjny		1	P6(H1)1229	1	P6(H1)1229	1	P6(H1)1229
18	Sitko wlewu basenu		1	P6H1317	1	P6H1317	1	P6H1317
19	Złącze górne boczne	PP	2	P6800	4	P6800	6	P6800
20	Złącze dolne boczne	PP	2	P6801	4	P6801	6	P6801
21	Górny boczny metalowy element	Stal	2	P6802	4	P6802	6	P6802
22	Dolny boczny metalowy element	Stal	2	P6826	4	P6826	6	P6826
23	Stalowy pasek	Stal	1	P6810	2	P6810	3	P6810
24	Ośłona stalowego paska	PCV	1	P6811	2	P6811	3	P6811
25	Pionowe boczne wsparcie basenu	Stal powlekana	2	P61249	4	P61249	6	P61249
26	Ukośne boczne wsparcie basenu	Stal powlekana	2	P61250	4	P61250	6	P61250
27	Dolne boczne wsparcie	Stal	2	P6827	4	P6827	6	P6827
28	Wewnętrzne dolne zabezpieczenie	PP	2	P6828	4	P6828	6	P6828
29	Dolne boczne zabezpieczenie	PP	2	P61251	4	P61251	6	P61251
30	Krótki podest górny	Stal powlekana			6	P61234	8	P61234
31	Szyna krótka	PCV			12	P61238	16	P61238
32	Spinacze	Tworzywo sztuczne	20		20		20	
33	Ochroniacz piankowy	EPE	8	P61473	8	P61473	8	P61473

WYBÓR ODPOWIEDNIEGO MIEJSCA

OSTRZEŻENIE: Wypoziomowanie jest bardzo ważne.

Starannie wybierz miejsce dla nowego basenu. Jest to najważniejsza decyzja, jaką musisz podjąć w celu zapewnienia bezpieczeństwa i udanej budowy basenu. Nieprawidłowo wybrane miejsce może w przyszłości powodować problemy prowadzące do obrażenia ciała, śmierci lub strat finansowych. Podczas wyboru miejsca do ustawienia basenu uważnie przeczytaj poniższą listę kontrolną.

Akceptowalne:

Plaskie, wypoziomowane, suche podłoże z łatwym dostępem z każdej strony basenu.

Wystawione na bezpośrednie działanie promieni słonecznych, najlepiej w godzinach porannych.

Bezpieczny dostęp do elektryczności, w celu podłączenia pompy filtra i innych akcesorii basenu.

Dostęp do źródła wody

Ochronione od wiatru.

Nieprawidłowe:

Pochyłe, nierówne podłoże

Podłoże piaszczyste, kamieniste lub mokre

Bliskość konstrukcji drewnianych (np. pergole i podesty)

Bliskość drzew

Rozwieszane linki i sznurki do wieszania bielizny

Rury, przewody elektryczne lub gazociągi podziemne

Słabe lub niewystarczające odprowadzenie wody

Miejsce o wysokim ryzyku zalania

Silne wiatry

UWAGA: Lepiej jest usuwać grunt zalegający wyżej, niż zasypywać grunt niższy. Należy usunąć trawę i darń pod całą powierzchnią basenu.

MONTAŻ BASENU

Postępuj zgodnie z krokami pokazanymi na schemacie.

KONSERWACJA BASENU

Ostrzeżenie: Niestosowanie się do zamieszczonych tutaj wytycznych dotyczących konserwacji może spowodować zagrożenie dla zdrowia, szczególnie zdrowia dzieci. Uzdatnianie wody w basenie ma zasadnicze znaczenie dla bezpieczeństwa użytkowników. Nieprawidłowe stosowanie środków chemicznych może spowodować szkody materialne i obrażenia.

UWAGA: Pompa służy do wymuszania obiegu wody i usuwania małych cząstek stałych. Aby utrzymywać wodę w basenie w czystości i dobrym stanie higienicznym, należy również dodawać środki chemiczne.

1. Nie jest zalecane napełnianie basenu wodą deszczową, wodą z odwiertów ani wodą ze studni: wody te zazwyczaj zawierają zanieczyszczone substancje organiczne, obejmujące związki azotu i fosforu. Zalecane jest napełnianie basenu wodą z wodociągu.
2. Zawsze zachowuj basen w czystości i stosuj odpowiednie środki chemiczne do basenów. Zanieczyszczona woda stanowi poważne zagrożenie dla zdrowia. Do utrzymywania basenu w czystości zaleca się stosowanie środków dezynfekcyjnych, flokulantów, substancji kwasowych lub zasadowych.
3. Regularnie czyść wykładzinę z PCV za pomocą nieściernych szczotek lub odkurzacza basenowego.
4. Przez cały sezon układ filtrujący musi działać codziennie wystarczająco długo, by wyczyścić całą wodę znajdującą się w basenie.
5. Regularnie sprawdzaj wkład filtra (lub piasek w filtrze piaskowym) i wymieniaj zanieczyszczone wkłady (lub piasek).
6. Regularnie sprawdzaj, czy wkręty, śruby i wszystkie elementy metalowe nie są skorodowane. W razie potrzeby wymieniaj.
7. W przypadku deszczu sprawdzaj, czy poziom wody nie przekracza podanego poziomu. Jeżeli poziom wody przekroczy podaną wartość, spuść wodę do odpowiedniego poziomu.
8. Podczas korzystania z basenu nie używaj pompy.
9. Przykrywaj nieużywany basen.
10. Dla uzdatniania wody w basenie bardzo ważny jest jej odczyn pH.

UWAGA: Po wypuszczeniu wody, nie pozostawiaj basenu na zewnątrz. Dobra jakość wody zapewniana jest przez następujące parametry.

Parametry	Wartości
Przejrzystość wody	Wyraźna widoczność dna basenu
Kolor wody	Nie powinien być zauważalny żaden kolor
Zmętnienie w FTU/NTU	Maks. 1,5 (najlepiej poniżej 0,5)
Stężenie azotanów powyżej stężenia w wodzie używanej do napełniania w mg/l	Maks. 20
Całkowita zawartość węgla organicznego (TOC) w mg/l	Maks. 4,0
Potencjał redukcyjno-utleniający w stosunku do Ag/AgCl 3,5 m KCl w mV	Min. 650
Odczyn pH	6,8 do 7,6
Wolny aktywny chlor (bez kwasu cyjanurowego) w mg/l	0,3 do 1,5
Wolny chlor w połączeniu z kwasem cyjanurowym w mg/l	1,0 do 3,0
Kwas cyjanurowy w mg/l	Maks. 100
Związany chlor w mg/l	Maks. 0,5 (najlepiej ok. 0,0 mg/l)

ZABEZPIECZENIE NA OKRES ZIMOWY

Jeśli chcesz uniknąć rozbioru basenu na zimę, zastosuj się do poniższej instrukcji:

WAŻNE: Nie spuszczać całej wody z basenu. W przeciwnym razie basen może zostać uszkodzony przez silny wiatr. Spuść wodę do poziomu 10 cm poniżej zaworu wlotowego na ścianie basenu.

1. Spuść wodę do poziomu 10 cm poniżej zaworu wlotowego na ścianie basenu. Możesz użyć pompy lub węża ogrodowego (schemat 28, 29).
2. Uzdatnij wodę w basenie za pomocą odpowiednich produktów chemicznych.
3. Wyjmij układ filtrujący z basenu. Możesz pozostawić wloty/wyloty zamocowane do basenu.
4. Usuń także wszystkie inne akcesoria basenowe i przechowuj je w suchym i chłodnym miejscu.
5. Zabezpiecz basen pokrywą.

Jeżeli nie chcesz demontować basenu na zimę, przestrzegaj poniższych instrukcji:

1. Spuść wodę z basenu za pomocą węża ogrodowego lub użyj pompy spustowej (schemat 28).
2. Wyczyść wszystkie elementy basenu za pomocą gąbki i mydła o obojętnym pH. Wyszuszyć je i odłożyć w sposób uporządkowany w suchym i czystym miejscu.

HYDRIMUM™ OVÁLIS MEDENCÉK HASZNÁLATI UTASÍTÁS



Látogassa meg a Bestway YouTube-csatornáját

Cikkszám	Méret	Készlet típus	Kiegészítők
#56586 #56583 #56587	16.4' x 12' x 48" (5.00m x 3.6m x 1.2m)	Földfelszín feletti úszómedence-készlet swimming pool kit	<input checked="" type="checkbox"/> Szűrőrendszer <input checked="" type="checkbox"/> Létra <input checked="" type="checkbox"/> Padlószövet
#56369 #56371 #56370	20' x 12' x 48" (6.10m x 3.6m x 1.2m)		
#56604 #56606	24' x 12' x 48" (7.40m x 3.6m x 1.2m)		

IFIGYELMEZTETÉS!

Az úszómedence telepítése és használata előtt gondosan olvassa el ezt a kézikönyvet, és értse meg, valamint tartsa be a benne foglaltakat. Ezek a figyelmeztetések, utasítások és biztonsági irányelvek segítenek elhárítani a vízi rekreációval kapcsolatos néhány általános kockázatot, de nem tudják lefedni az összes kockázatot és veszélyt. A vízi tevékenységek végzése során mindig legyen óvatos, megfontolt, és jó ítélőképességű. Tegye félre ezt a kézikönyvet, hogy a jövőben bármikor belenézhesen.

Az úszni nem tudók biztonsága

- A gyengén úszóknak és úszni nem tudóknak mindig hozzáértő felnőtt általi folyamatos, aktív és éber felügyeletet kell biztosítani (vegye figyelembe, hogy az öt év alatti gyermekeknél a legnagyobb a fulladásveszély).
- A medence minden egyes használata alkalmával jelöljön ki hozzáértő felnőttet a medence felügyeletére.
- A gyengén úszóknak, illetve úszni nem tudóknak a medence használatakor egyéni védőfelszerelést kell viselniük.
- Ha az úszómedence nincs használatban, távolítsa el belőle a környezetből minden játékot, hogy azok a gyermekeket nehogy a medencébe csalogassák.

Biztonsági berendezések

- A gyermekek megfulladásának elkerülése érdekében ajánlatos a medencéhez való hozzáférést védőeszközzel korlátozni. Annak érdekében, hogy a gyermekek ne ugrálhassanak a bemeneti és kimeneti szelepekről, tanácsos kerítéssel (és adott esetben az ajtókat és ablakokat bezárásával) megakadályozni az illetéktelenek medencéhez való hozzáféréseit.
- A kerítések, medencefedelek, medenceriasztók, illetve hasonló biztonsági berendezések hasznos segítség, de nem helyettesítik a hozzáértő felnőtt általi folyamatos felügyeletet.

Biztonsági berendezések

- A medence mellett tanácsos mentőfelszerelést (pl. mentőöv) tartani.
- Tartson működőképes telefont és a segélyhívószám-listát a medence mellett.

A medence biztonságos használata

- Biztasson minden felhasználót – különösen a gyermekeket – hogy tanuljanak meg úszni.
- Tanulja meg az alapszintű elsősegélynyújtást (újraélesztés – CPR), és rendszeresen frissítse ezen ismereteit. Ez vészhelyzetben életet menthet.
- Tájékoztassa az összes medencehasználót, hogy mit kell csinálni vészhelyzet esetén.
- Soha ne ugorjon sekély vízbe. Ez súlyos sérüléshez vagy halálhoz vezethet.
- Ne használja az úszómedencét, ha alkohol vagy gyógyszer hatása alatt áll, amely hatás hátrányosan befolyásolhatja a medence biztonságos használatát.
- Medencefedél használata esetén a medencébe való beszállás előtt teljesen távolítsa el azt a vízfelületről.
- A medencevíz kezelésével és jó higiéniai állapotának fenntartásával védje a medencehasználót a vízen keresztül elkapható betegségektől. Tekintse meg a használati útmutatóban a vízkezelési irányelveket.

- A vegyszerek (pl. vízkezelő szerek, tisztító vagy fertőtlenítő termékek) a gyermekek számára hozzáférhetetlen helyen tartandók!
- Használja az alább leírt jelzést. A jelzést feltűnő helyen kell elhelyezni, a medence 2 méteres környezetében.
- Ne hagyja a gyermekeket a vizes környezetben felügyelet nélkül. Merülni tilos!
- Az eltávolítható létrákat vízszintes felületre kell helyezni.
- Az úszómedencéhez használt anyagoktól függetlenül, a sérülések elkerülése érdekében a hozzáférhető felületeket rendszeresen ellenőrizni kell.
- A sérülések elkerülése érdekében rendszeresen ellenőrizze a csavarok állapotát, távolítsa el a sorjakát, illetve szüntesse meg az éles peremeket.

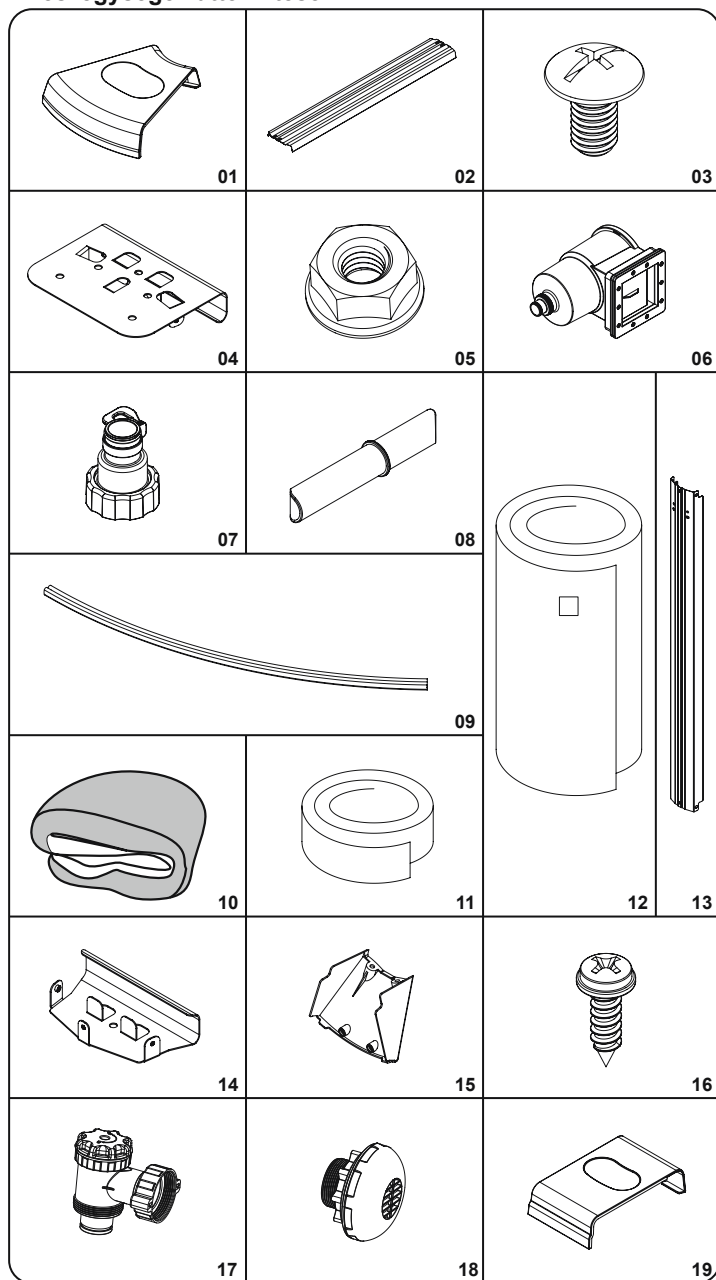
- **FIGYELEM:** Ne hagyja a leürített medencét a szabadban. A medence üres állapotban könnyen deformálódhat, illetve a medencét könnyen arrébb fújhatja a szél.
- Ha van szűrőszivattyúja, részletekért tekintse meg a szivattyú kézikönyvét.
- **FIGYELMEZTETÉS!** A szivattyú nem használható, ha ember van a medencében!
- Ha van létrája, részletekért tekintse meg a létra kézikönyvét.

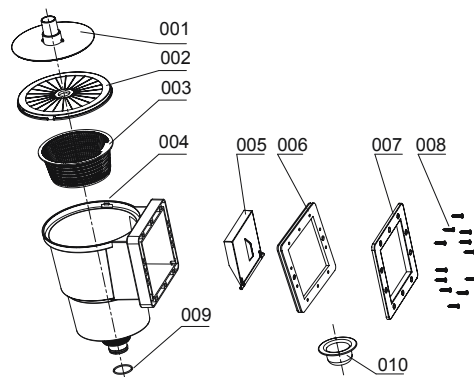
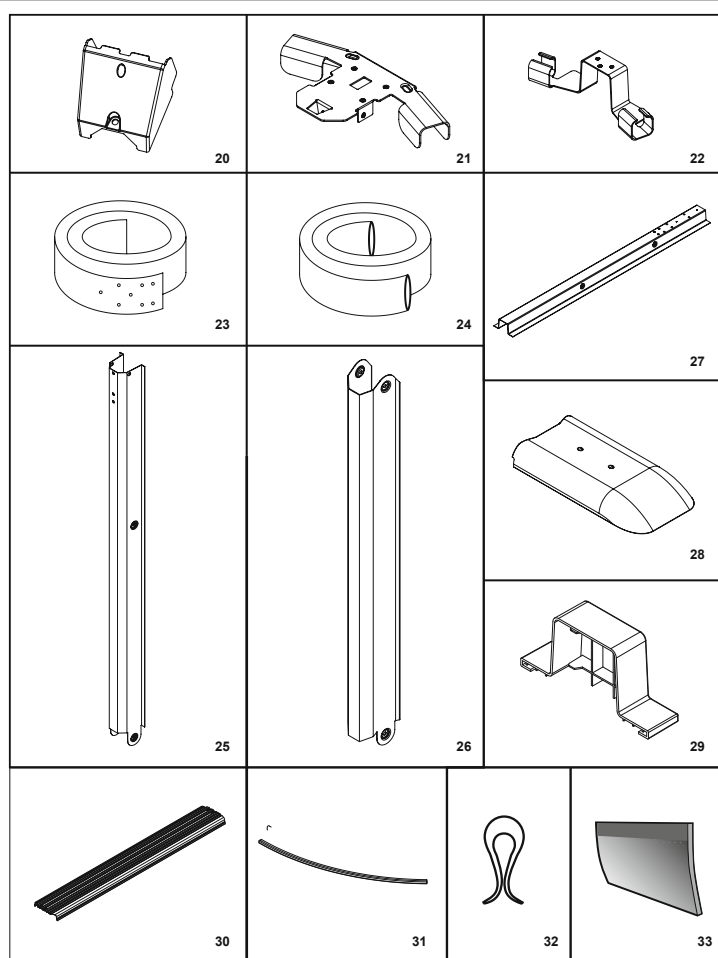
FIGYELMEZTETÉS! Az úszómedence használata során tartsa be a használati és karbantartási útmutatójában foglalt biztonsági utasításokat. A fulladás, illetve egyéb súlyos sérülések megelőzése érdekében különösen figyeljen oda az úszómedence 5 éven aluli gyermekek általi nem várt hozzáféréseinek lehetőségére, és gondoskodjon arról, hogy a gyermekek ne férhessenek a medencéhez, valamint a furdözés ideje alatt folyamatosan felügyelje őket, vagy gondoskodjon felnőtt általi felügyeletéről.

MEGJEGYZÉS: A medence telepítésekor a medencei szűrőnek a fő széliránnyal szemben kell elhelyezkednie. A létrát a medencei szűrőtől távol kell a medencében elhelyezni.

Alaposan olvassa el, és tegye félre, hogy a jövőben bármikor belenézhesen.

A részegységek áttekintése

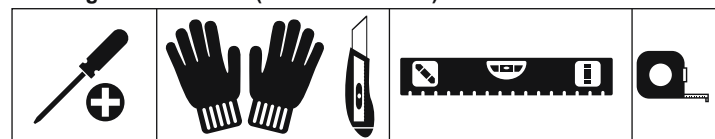




A MEDENCEI SZŪRŐ TARTOZÉKLISTÁJA

Szám	Név	Mennyiség	Cserealk. sz.
001	Tömlőcsatlakoztatás	1	P6774
002	Fedél	1	P6991
003	Kosár	1	P6776
004	Medencei szűrő	1	P6777
005	Bukó	1	P6992
006	Tömítés	1	P6993
007	Homloklemez	1	P6780
008	M5x22 csavar	12	/
009	O gyűrű	1	/
010	Záródugó	1	P6813

Szükséges szerszámok (nincs mellékelve):



A beszerelés általában 3 órát vesz igénybe, ha 2-3 ember végzi a földmunkákat és a feltöltést.

Szám	Név	Anyag	16.4' x 12' x 48"		20' x 12' x 48"		24' x 12' x 48"	
			Menny.	Cserealk. sz.	Menny.	Cserealk. sz.	Menny.	Cserealk. sz.
1	Felső csatlakozásvédő	PP	8	P6743	8	P6743	8	P6743
2	Hosszú felső perem	Bevont acél	10	P6745	6	P6745	6	P6745
3	M6x11 csavar	304-es rozsdamentes acél	170	P6746	214	P6746	260	P6746
4	Felső fémdarab	Acél	8	P6747	8	P6747	8	P6747
5	M6 anya	304-es rozsdamentes acél	52	P6748	74	P6748	98	P6748
6	Medencei szűrő		1	P6762	1	P6762	1	P6762
7	Tömlőadapter		2	F6H202	2	F6H202	2	F6H202
8	Sínes csatlakozó	PP	32	P6990	32	P6990	32	P6990
9	Hosszú sín	PVC	20	P61236	12	P61237	12	P61237
10	Bevonat	PVC	1	56286ASS16	1	56369ASS16	1	56604ASS17
11	3M öntapadós szalag		1	P6756	1	P6756	1	P6756
12	Acélfal	Bevont acél	1	P61447	1	P61448	1	P61449
13	A medence függőleges támasza	Bevont acél	8	P6757	8	P6757	8	P6757
14	Alsó fémdarab	Acél	8	P6761	8	P6761	8	P6761
15	Alsó csatlakozásvédő	PP	8	P6759	8	P6759	8	P6759
16	ST4x14 csavar	304-es rozsdamentes acél	22	P61491	28	P61491	34	P61491
17	Vezérlőszelep		1	P6(H1)1229	1	P6(H1)1229	1	P6(H1)1229
18	Medencebemeneti szűrő		1	P6H1317	1	P6H1317	1	P6H1317
19	Oldalsó felső csatlakozás	PP	2	P6800	4	P6800	6	P6800
20	Oldalsó alsó csatlakozás	PP	2	P6801	4	P6801	6	P6801
21	Oldalsó felső fémdarab	Acél	2	P6802	4	P6802	6	P6802
22	Oldalsó alsó fémdarab	Acél	2	P6826	4	P6826	6	P6826
23	Acélöv	Acél	1	P6810	2	P6810	3	P6810
24	Acélövedél	PVC	1	P6811	2	P6811	3	P6811
25	Oldalsó függőleges támasz	Bevont acél	2	P61249	4	P61249	6	P61249
26	Oldalsó keresztámsz	Bevont acél	2	P61250	4	P61250	6	P61250
27	Oldalsó alsó támasz	Acél	2	P6827	4	P6827	6	P6827
28	Belső alsó védő	PP	2	P6828	4	P6828	6	P6828
29	Oldalsó alsó védő	PP	2	P61251	4	P61251	6	P61251
30	Rövid felső perem	Bevont acél			6	P61234	8	P61234
31	Rövid sín	PVC			12	P61238	16	P61238
32	Csipeszek	Műanyag	20		20		20	
33	Foam protector	Polietilén hab	8	P61473	8	P61473	8	P61473

A MEGFELELŐ HELY KIVÁLASZTÁSA

FIGYELMEZTETÉS: A színtezés rendkívül fontos művelet:

Az új medence helyének kiválasztását nagy gonddal végezze. Ez a medenceszerkezet biztonsága és sikere érdekében Ön által meghozandó legfontosabb döntés. A gondatlan helyválasztás a jövőben sérülést, halált vagy fölösleges pénzkidrást okozhat. Alaposan olvassa el az alábbiakban feltüntetett, a medence felállítási helyére vonatkozó ellenőrzőlistát.

Elfogadható:

Sík, vízszintes, szilárd és száraz felület, melynél a medence minden oldalról könnyen hozzáférhető

Lehetőleg reggel, közvetlen napfénynek kitett hely

A szűrőszivattyú és egyéb medencei tartozékok működtetéséhez szükséges, biztonságosan hozzáférhető áramellátás

Könnyű vízhálózati hozzáférés

Szélvédett hely

Nem elfogadható:

Meredek, egyenetlen felület

Homokos, köves vagy ázott talaj

Faszerkezetekhez (pl. lugas és pódium) közel

Fákhoz közel

Felsővezetékek és ruhaszárító kötelek alatti hely

Csatorna-, villany- vagy gázvezetékek fölötti hely

Gyenge vagy kis teljesítményű vízvezetéssel rendelkező hely

Nagy elárasztáskockázatu hely

Szélnek rendkívül kitett hely

MEGJEGYZÉS: Inkább a magasabb kiálló részeket távolítsa el, mint az alacsonyabban fekvő részeket töltsse fel. A fűvet és gyomot a teljes medenceterület alól el kell távolítani.

NEM MEGFELELŐ ÖSSZESZERELÉS

Kérjük, tekintse meg az ábra lépéseit.

NEM MEGFELELŐ KARBANTARTÁS

Figyelmeztetés: Az itt leírt karbantartási utasítások be nem tartása veszélyezteti az Ön, és különösen a gyermekek egészségét. A medencevíz kezelése alapvető fontosságú a használók biztonsága szempontjából. A nem megfelelő vegyszerhasználat tárgyi kárt és személyi sérülést okozhat.

MEGJEGYZÉS: A szivattyú a víz keringtetésére és a kis részecskék kiszűrésére szolgál. A víz tiszta és higiénikus állapotának megtartása érdekében a vízhez vegyszereket is kell adnia.

- Javasoljuk, hogy ne töltsse fel a medencét csapadékgyűjtő, fűt kút, illetve megcsapoló kút vizével: ezek a vizek általában szerves szennyezőanyagokat (pl. nitrátok és foszfátok) tartalmaznak. Tanácsos közmű által szolgáltatott vizet használni.
- Mindig tartsa tisztán a medencét, és használjon megfelelő medencei vegyszereket. Az egészségtelen víz komoly egészségügyi kockázatot jelent. Javasoljuk, hogy a medence kezeléséhez használjon fertőtlenítőt, ülepítő, savas vagy lúgos hatású vegyszereket.
- Rendszeresen tisztítsa meg a PVC bevonatot nem dörzshatású kefével vagy medencei porszívóval.
- A szezon során a vízsűrőrendszernek minden nap elég hosszan kell működnie ahhoz, hogy a teljes medencevizet megtisztítsa.
- Rendszeresen ellenőrizze a szűrőkazettát (vagy a homokszűrő homoktartalmát), és cserélje le a piszkos kazettákat (vagy távolítsa el a homokot).
- Rendszeresen ellenőrizze a csavarokat és az összes fémalkatrészt, hogy nem roszdás-e. Szükség esetén cserélje le őket.
- Eső esetén ellenőrizze, hogy a vízszint nincs-e magasabban a megadott szintnél. Ha a víz a megadott szint fölé megy, eressze le a medencét a megadott szintig.
- Ne használja a szivattyút, ha a medence használatban van.
- Ha a medencét nem használja, fedje le.
- A medencevíz kezelése szempontjából a víz pH-értéke nagyon lényeges.

FIGYELEM: Ne hagyja a leürített medencét a szabadban. Az alábbi paraméterekkel biztosítható a jó vízminőség.

Paraméterek	Értékek
Víz tisztaság	tisztán látni a medence alját
A víz színe	kifejezett szín nem tapasztalható
Zavarosság [FNU/NTU]	max. 1,5 (lehetőleg kevesebb mint 0,5)
A töltővíz értékét meghaladó nitrátkoncentráció [mg/l]	max. 20
Összes szerves szén (TOC) [mg/l]	max. 4,0
Redoxpotenciál Ag/AgCl és 3,5 M KCl vizes oldatában [mV]	min. 650
pH-érték	6,8 ... 7,6
Szabad aktív klór (cianursav nélkül) [mg/l]	0,3 ... 1,5
Szabad klór cianursavval kombinálva [mg/l]	1,0 ... 3,0
Cianursav [mg/l]	max. 100
Kombinált klór [mg/l]	max. 0,5 (lehetőleg kevesebb mint 0,0 mg/l)

TÉLIESÍTÉS

Ha a medencét télire le akarja szerelni, kérjük, tartsa be az alábbi utasításokat:

FONTOS: Ne eressze le az összes medencevizet, mert a medence erős szélben megsérülhet. Eressze le a vizet addig, hogy a szintje a medencefalán található bemeneti szelep alatt 10 cm-re legyen.

- Eressze le a vizet addig, hogy a szintje a medencefalán található bemeneti szelep alatt 10 cm-re legyen. Használhat szivattyút vagy kerti slagot (28. és 29. ábra).
- Kezelje a medencevizet megfelelő vegyszerrel.
- Távolítsa el a vízsűrőrendszert a medencéből. A bemeneteket/kimeneteket a medencére rögzítve hagyhatja.
- Együttal távolítson el minden egyéb medencei tartozékot, és tárolja őket száraz hűvös helyen.
- Védje a medencét a medencefedéllel.

Ha a medencét télire le akarja szerelni, kérjük, tartsa be az alábbi utasításokat:

- Kerti tömlővel ürítse le a medencét, vagy használjon leeresztőszivattyút (28. ábra).
- Semleges pH-jú szappanos vízbe mártott szivaccsal tisztítsa meg a medence összes részegységét. Majd szárítsa meg őket, és rendben elrakva tárolja száraz, tiszta helyen.

HYDRIMUM™

OVALA POOLER

ÄGARMANUAL



Besök Bestway YouTube kanal

Artikelnummer	Mått	Typ av utrustning	Tillbehör
#56586 #56583 #56587	16.4' x 12' x 48" (5.00m x 3.6m x 1.2m)	Ovan-mark swimmingpool utrustning	<input checked="" type="checkbox"/> Filtreringssystem <input checked="" type="checkbox"/> Stege <input checked="" type="checkbox"/> Markduk
#56369 #56371 #56370	20' x 12' x 48" (6.10m x 3.6m x 1.2m)		
#56604 #56606	24' x 12' x 48" (7.40m x 3.6m x 1.2m)		

! VARNING !

Läs noggrant, förstå, och följ all information i användarmanualen innan du installerar och använder swimmingpoolen. Dessa varningar, instruktioner och säkerhetsanvisningar handlar om några vanliga risker i samband med vattenlekar, men de täcker inte alla risker och faror för alla tillfällen. Var alltid försiktig, använd vanligt förnuft och gott omdöme när du njuter av aktiviteter i vattnet. Bevara den här informationen för framtida bruk.

Säkerhet för icke simkunniga

- För de personer som är dåliga på att simma eller inte är simkunniga (kom ihåg att barn under fem år lider största risken för drunkning) krävs det en ständig och aktiv övervakning av en vuxen person.
- Utse en vuxen person att övervaka poolen varje gång den används.
- Dåliga simmare eller ej simkunniga personer bör använd personlig räddningsutrustning när de använder poolen.
- När poolen inte används, eller om den är oövervakad, ta då bort alla leksaker från swimmingpoolen och runt omkring den för att undvika att barn dras till poolen.

Säkerhetsanordningar

- För att undvika drunkningsolyckor med barn rekommenderar vi att säkra tillträdet till poolen med en skyddsanordning. För att undvika att barn klättrar från inloppsventilen och utloppsventilen rekommenderar vi att ett hinder installeras (och att säkra alla dörrar och fönster där det är möjligt) för att undvika att icke behöriga personer får tillträde till swimmingpoolen.
- Hinder, poolöverdrag, poolalarm, eller liknande säkerhetsanordningar är bra hjälpmedel, men de ersätter inte en ständig och kompetent övervakning av en vuxen person.

Säkerhetsutrustning

- Vi rekommenderar att ha räddningsutrustning (ex. livboj) bredvid poolen.
- Förvara en fungerande telefon och en lista på nödnummer bredvid poolen.

Säker användning av poolen

- Uppmuntra alla användarna, framförallt barnen, att lära sig att simma.
- Lär dig grundläggande livsupphållande åtgärder (hjärt- och lungräddning - CPR) och uppdatera denna kunskap regelmässigt. Detta kan utgöra skillnaden vid en livräddning i en nödsituation.
- Ge alla användarna, inklusive barnen, instruktioner om vad man ska göra i händelse av en nödsituation.
- Dyk aldrig i grunt vatten. Det kan leda till allvarliga skador eller till döden.
- Gå inte i swimmingpoolen när du har druckit alkohol eller tagit medicin som kan försämra din förmåga att använda poolen på ett säkert sätt.
- Om poolöverdrag finns på poolen, ta då bort det fullständigt från vattenytan innan du går i poolen.
- Skydda poolanvändarna från vattenrelaterade sjukdomar genom att behandla poolvattnet och genom att praktisera en god hygien. Läs i användarmanualen om riktlinjerna för vattenbehandlingar.

- Förvara kemikalier (t.ex. vattenbehandling, rengörings- och desinfekteringsprodukter) oåtkomliga för barn.
- Använd nedanstående skyltar. Skyltarna ska finnas på en framträdande plats inte längre än 2 meter från poolen.
- Håll barnen under uppsikt i vattenområdet. Ingen dykning.
- Flyttbara stegar ska placeras på en horisontell yta.
- Oavsett det material som används för tillverkning av poolen, måste alla tillgängliga ytor regelbundet kontrolleras för att undvika skador.
- Kontrollera regelbundet bultar och skruvar, ta bort flisor eller vassa kanter för att undvika skador.

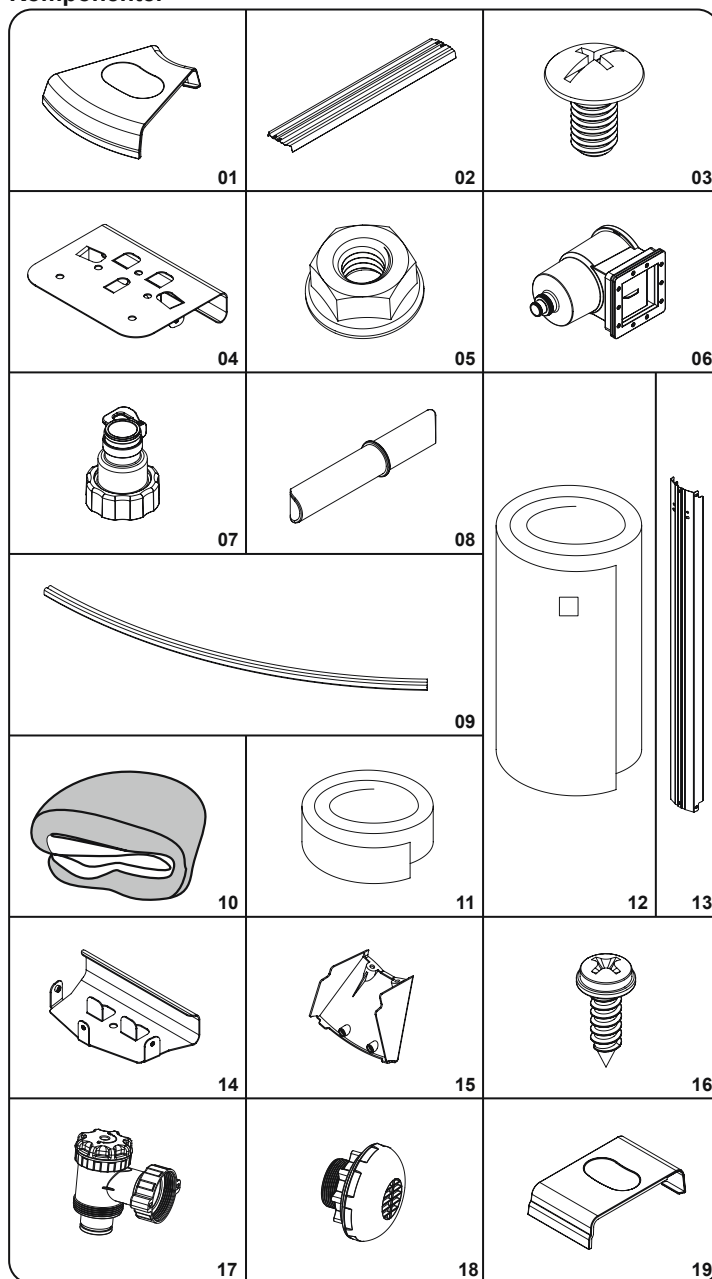
- **VAR UPPMÄRKSAM PÅ:** Lämna inte den tömda poolen utomhus. Den tomma poolen riskerar att bli deformerad och/eller förflyttad pga. vinden.
- Om du har en filter pump, läs då i pumpmanualen för vidare instruktioner.
- WARNING!** Pumpen får inte användas då det finns människor i poolen!
- Om du har en stege, läs då stegens manual för vidare instruktioner.

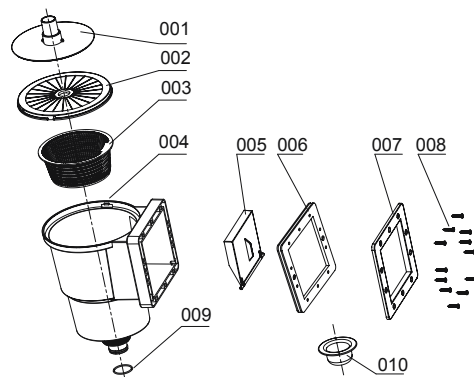
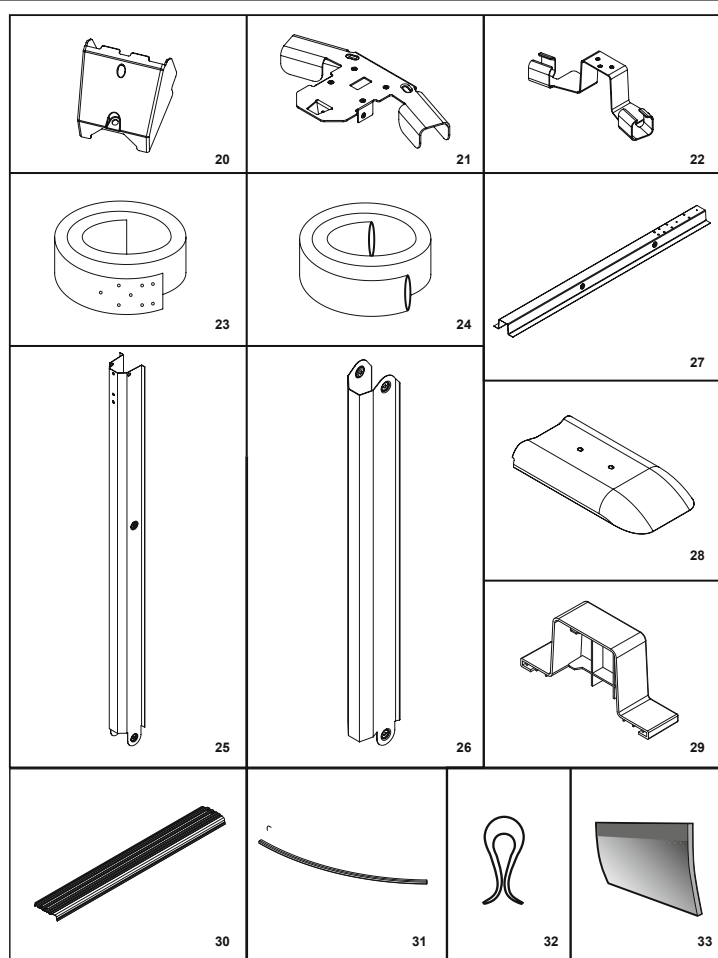
WARNING! Användningen av en swimmingpool innebär samtycke till säkerhetsinstruktionerna som beskrivs i användar- och underhållsmanualen. För att undvika drunkning och andra allvarliga händelser, måste man vara särskilt försiktig när det gäller risken att barn under 5 år får oförutsett tillträde till swimmingpoolen. Säkra tillträdet till poolen och håll barnen under konstant uppsikt av en vuxen under badtillfällena.

OBS! När poolen installeras ska skimmerns position vara mitt emot den vanligaste vindriktningen. Placeringen av stegen i poolen ska vara långt ifrån skimmern.

Läs noggrant och bevara för framtida behov.

Komponenter

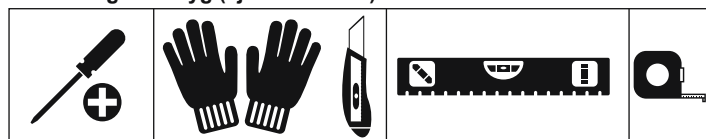




SKIMMERNS KOMPONENTLISTA

Nr.	Namn	Antal	Reservdels nr.
001	Fäste till slang	1	P6774
002	Skydd	1	P6991
003	Korg	1	P6776
004	Skimmer	1	P6777
005	Lock	1	P6992
006	Packning	1	P6993
007	Frontplåt	1	P6780
008	M5x22 skruv	12	/
009	O-ring	1	/
010	Plugg	1	P6813

Nödvändiga verktyg (ej inkluderade):



Installationen tar vanligtvis ungefär 3 timmar med 2-3 personer, men omfattar då inte markarbetet och fyllning.

Nr.	Namn	Material	16.4' x 12' x 48"		20' x 12' x 48"		24' x 12' x 48"	
			Antal	Reservdels nr.	Antal	Reservdels nr.	Antal	Reservdels nr.
1	Övre sammanfogningsskydd	PP	8	P6743	8	P6743	8	P6743
2	Lång övre ram	Belagt stål	10	P6745	6	P6745	6	P6745
3	M6x11 bult	Rostfritt stål 304	170	P6746	214	P6746	260	P6746
4	Övre metalldel	Stål	8	P6747	8	P6747	8	P6747
5	M6 mutter	Rostfritt stål 304	52	P6748	74	P6748	98	P6748
6	Skimmer		1	P6762	1	P6762	1	P6762
7	Adapter till slang		2	F6H202	2	F6H202	2	F6H202
8	Listanslutning	PP	32	P6990	32	P6990	32	P6990
9	Lång list	PVC	20	P61236	12	P61237	12	P61237
10	Liner	PVC	1	56286ASS16	1	56369ASS16	1	56604ASS17
11	3M Självhäftande tejp		1	P6756	1	P6756	1	P6756
12	Stålvägg	Belagt stål	1	P61447	1	P61448	1	P61449
13	Pool vertikalt stöd	Belagt stål	8	P6757	8	P6757	8	P6757
14	Nedre metalldel	Stål	8	P6761	8	P6761	8	P6761
15	Nedre sammanfogningsskydd	PP	8	P6759	8	P6759	8	P6759
16	ST4x14 skruv	Rostfritt stål 304	22	P61491	28	P61491	34	P61491
17	Regleringsventil		1	P6(H1)1229	1	P6(H1)1229	1	P6(H1)1229
18	Pool inloppsfilter		1	P6H1317	1	P6H1317	1	P6H1317
19	Sida övre sammanfogning	PP	2	P6800	4	P6800	6	P6800
20	Sida nedre sammanfogning	PP	2	P6801	4	P6801	6	P6801
21	Sida övre metalldel	Stål	2	P6802	4	P6802	6	P6802
22	Sida nedre metalldel	Stål	2	P6826	4	P6826	6	P6826
23	Stålrem	Stål	1	P6810	2	P6810	3	P6810
24	Stålrem skydd	PVC	1	P6811	2	P6811	3	P6811
25	Sida vertikalt stöd	Belagt stål	2	P61249	4	P61249	6	P61249
26	Sida sidostöd	Belagt stål	2	P61250	4	P61250	6	P61250
27	Sida nedre stöd	Stål	2	P6827	4	P6827	6	P6827
28	Inuti nedre skydd	PP	2	P6828	4	P6828	6	P6828
29	Sida nedre skydd	PP	2	P61251	4	P61251	6	P61251
30	Kort övre ram	Belagt stål			6	P61234	8	P61234
31	Kort list	PVC			12	P61238	16	P61238
32	Klämmor	Plast	20		20		20	
33	Skumskydd	EPE	8	P61473	8	P61473	8	P61473

ATT VÄLJA EN PASSANDE PLATS

VARNING: Nivellering är oerhört viktigt.

Välj noggrant ut en plats för din nya pool. Det är det viktigaste beslutet som du måste ta för att försäkra dig om säkerhet och gott resultat för poolens konstruktion. En dåligt vald plats kan orsaka problem i framtiden som i sin tur kan orsaka skador, dödsolyckor eller ekonomisk förlust. Läs nedanstående kontrollista ordentligt när du ska välja var du ska sätta upp din pool.

Godtagbart:

Ett platt, plant, fast och torrt underlag med enkel åtkomst till alla poolens sidor

Direkt soljus på morgonen är att föredra

Säker åtkomst till ström för att driva filterpumpen och andra pooltillbehör

Lätt tillgänglighet för vatten

Skydd från vinden

Ej godtagbart:

Sluttning, ojämn mark

Sandig, stenig eller blöt mark

Nära en konstruktion i trä (dvs. en pergola eller plankgolv)

Bredvid träd

Ovan hängande kablar och kläddlinor

Dräneringar, elektriska kablar eller gasrör under platsen

Dåligt eller liten dränering

Platser med risk för översvämningar

Starka vindförhållanden

OBS! Ta hellre bort den högre delen av marken än att fylla den lägre delen av marken. Allt gräs och alla grästuvor under själva poolområdet måste tas bort.

MONTERING AV POOLEN

Studera de olika stegen i figuren.

POOLENS UNDERHÅLL

Varning: Om du inte följer riktlinjerna i vår underhållsmanual, kan du äventyra din hälsa och framförallt barnens hälsa. Behandling av poolvattnet är nödvändigt för användarnas säkerhet. Genom att använda kemikalier felaktigt kan det orsaka egendomsskada och personskador.

OBS! Pumpen används för att vattnet ska cirkulera och för att filtrera små partiklar. För att ditt poolvatten ska förbli rent och hygieniskt måste du även tillsätta kemikalier.

1. Vi rekommenderar inte att fylla din pool med regnvatten, brunsvatten, eller dräneringsbrunnsvatten: dessa typer av vatten innehåller vanligtvis förorenade organiska substanser däribland nitrater och fosfater. Vi råder er att fylla poolen med vatten från det allmänna vattennätet.
2. Se till att alltid hålla poolen ren och använd korrekta kemikalier. Ohälsosamt vatten är en allvarlig hälsorisk. Vi rekommenderar att du använder desinfektionsmedel, flockningsmedel, syre eller alkaliska kemikalier för att behandla din pool.
3. Rengör PVC linern regelbundet med en icke slipande borste en pooldammsugare.
4. Vattnets filtreringssystem måste under hela säsongen vara i funktion tillräckligt länge varje dag för att göra ren hela poolens vattenvolym.
5. Kontrollera filterpatronen (eller sanden i sandfiltret) regelbundet och byt ut smutsiga patroner (eller sand).
6. Kontrollera om det finns rost på skruvarna, bultarna och alla metalldelar. Byt ut vid behov.
7. Om det regnar, kontrollera då att vattennivån inte är högre än den angivna nivån. Om vattnet överskrider den angivna nivån måste poolen tömmas på vatten tills nivån är korrekt.
8. Använd inte pumpen när poolen används.
9. Täck poolen då den inte används.
10. Vattnets pH värde är mycket viktigt när det gäller vattnets behandling.

BEAKTA FÖLJANDE: Lämna inte en tömd pool utomhus.

Följande parametrar garanterar god vattenkvalitet

Parametrar	Värden
Vattnets klarhet	Att man ser poolens botten tydligt
Vattnets färg	Ingen färg bör noteras
Grumlighet mätt i FNU/NTU	max. 1,5 (helst lägre än 0,5)
Koncentration av nitrit jämte den av fyllt vatten i mg/l	max. 20
Totalt organiskt kol (TOC) i mg/l	max. 4,0
Redoxpotential mot Ag/AgCl 3,5 m KCl i mV	min. 650
pH värde	6,8 till 7,6
Fritt verksamt klor (utancyanursyra) i mg/l	0,3 till 1,5
Fritt klor använt i kombination med cyanursyra i mg/l	1,0 till 3,0
Cyanursyra i mg/l	max. 100
Kombinerat klor i mg/l	max. 0,5 (helst nära 0,0 mg/l)

VINTERFÖRBEREDELSE

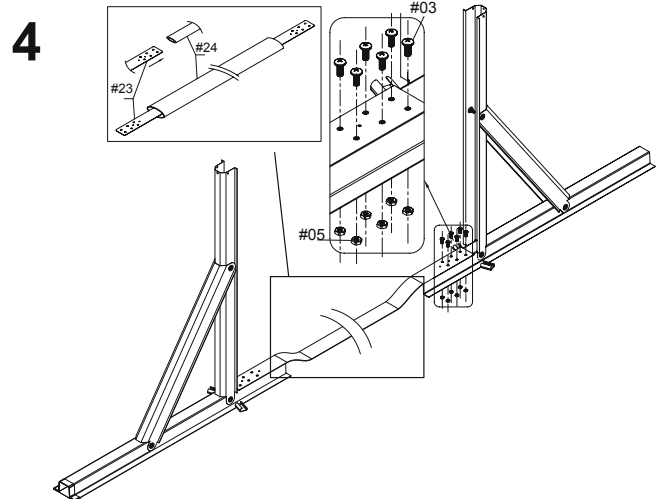
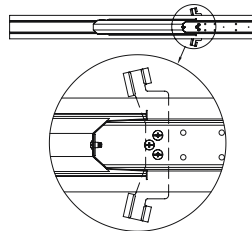
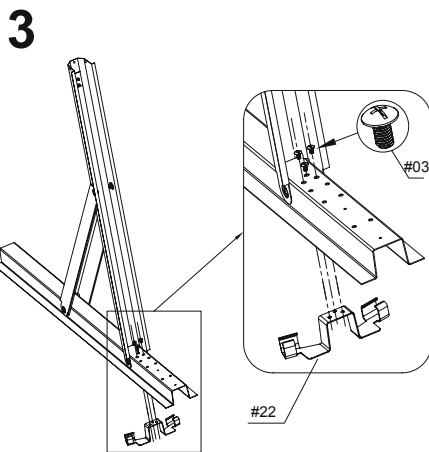
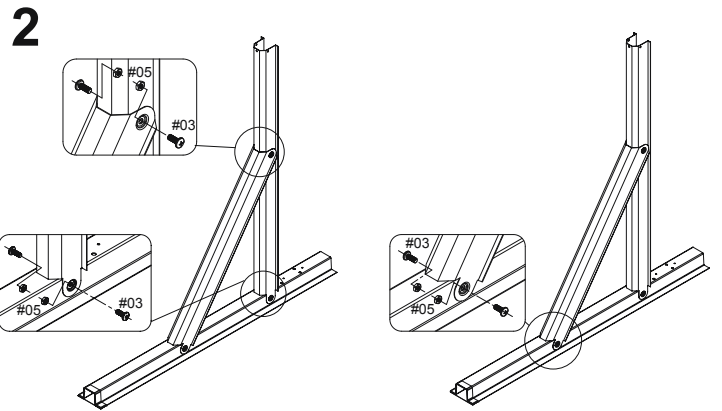
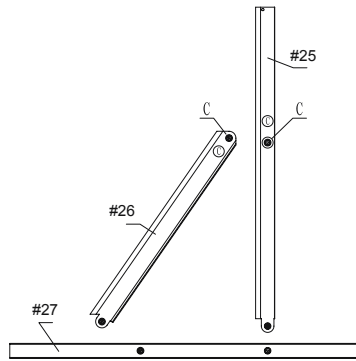
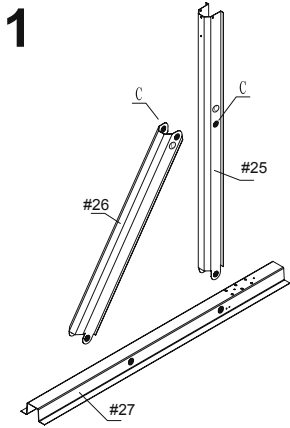
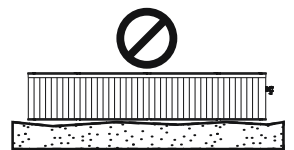
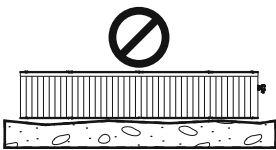
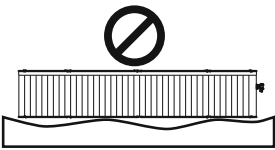
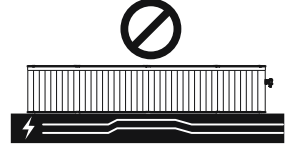
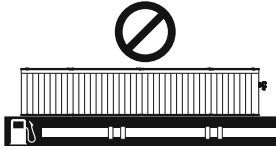
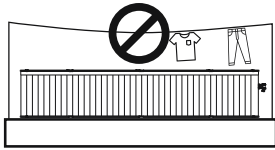
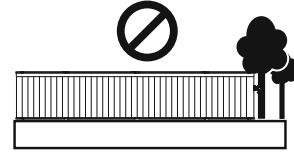
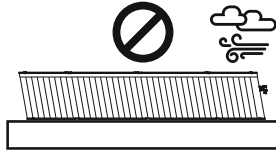
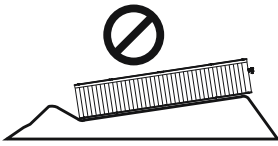
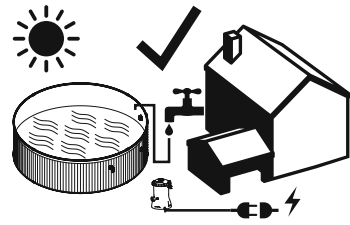
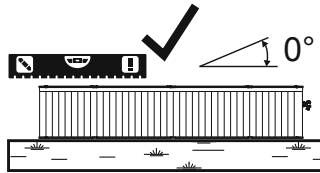
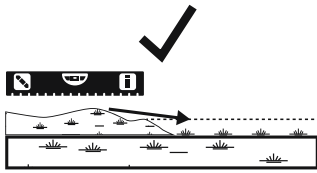
Om du inte vill montera ner poolen under vintern, följ följande anvisningar:

VIKTIGT: Töm inte poolen på allt vatten. Om du gör det kan poolen skadas av stark vind. Töm vattnet till 10cm under inloppsventilen på poolväggen.

1. Töm vattnet till 10cm under inloppsventilen på poolväggen. Använd en pump eller en trädgårdsslang (Bild 28,29).
2. Behandla poolvattnet med lämpliga kemikalier.
3. Avlägsna filtersystemet från poolen. Du kan låta inloppet/utloppet kvar på poolen.
4. Avlägsna också alla pooltillbehör och förvara dem torrt och svalt.
5. Skydda poolen med poolöverdraget.

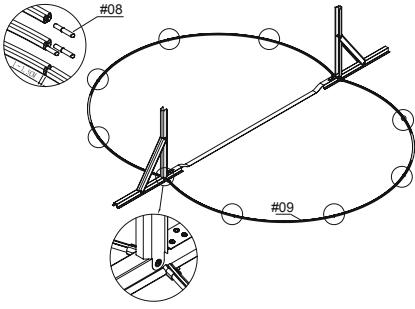
Om du vill montera ner poolen under vintern ska du observera följande instruktioner:

1. Töm poolen med hjälp av en trädgårdsslang eller använd entömningspump för att tömma poolen (Bild 28).
2. Rengör alla pooldelarna med en svamp och en tvål med neutralt pH värde. Torka dem och förvara dem på en torr och ren plats.

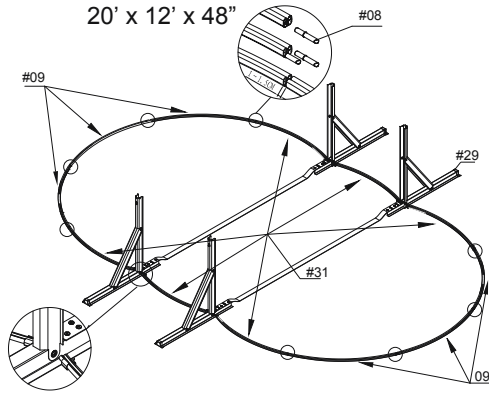


5

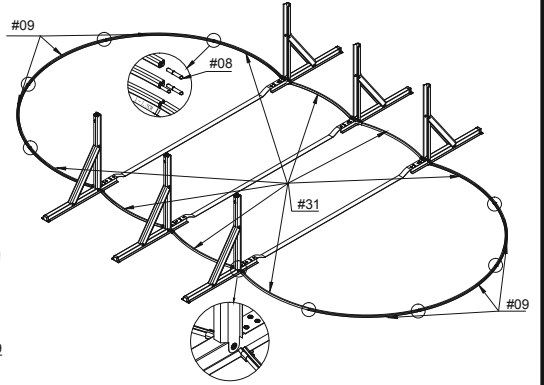
16.4' x 12' x 48"



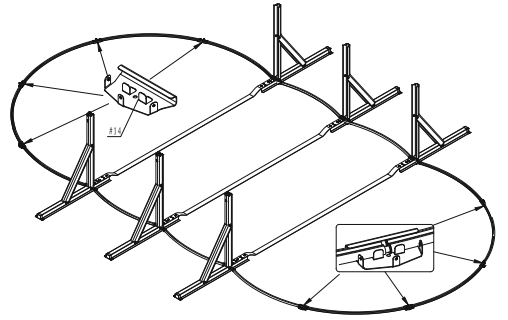
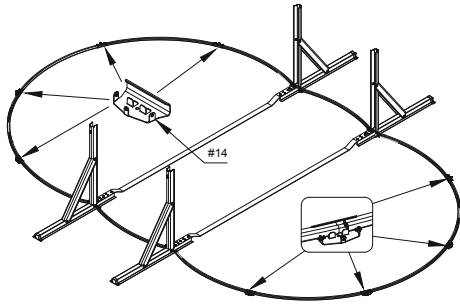
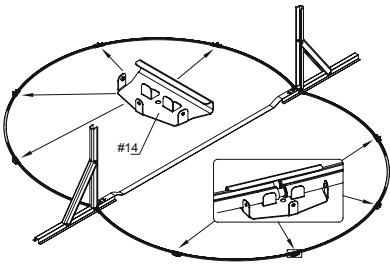
20' x 12' x 48"



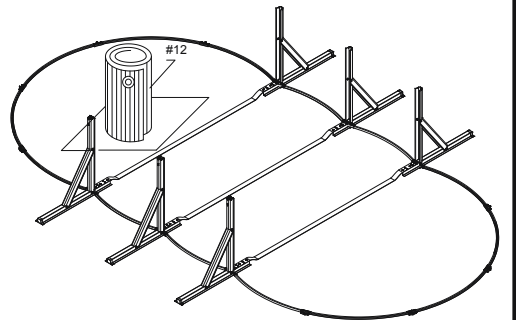
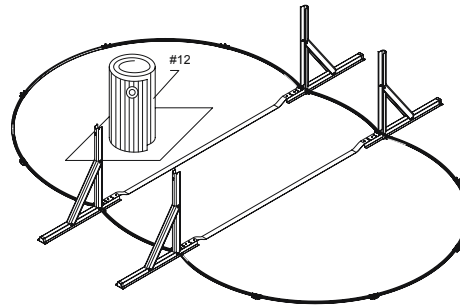
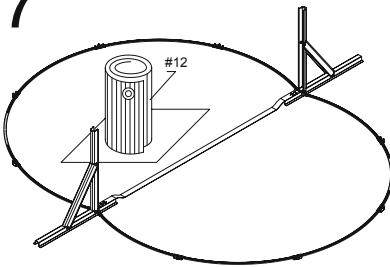
24' x 12' x 48"



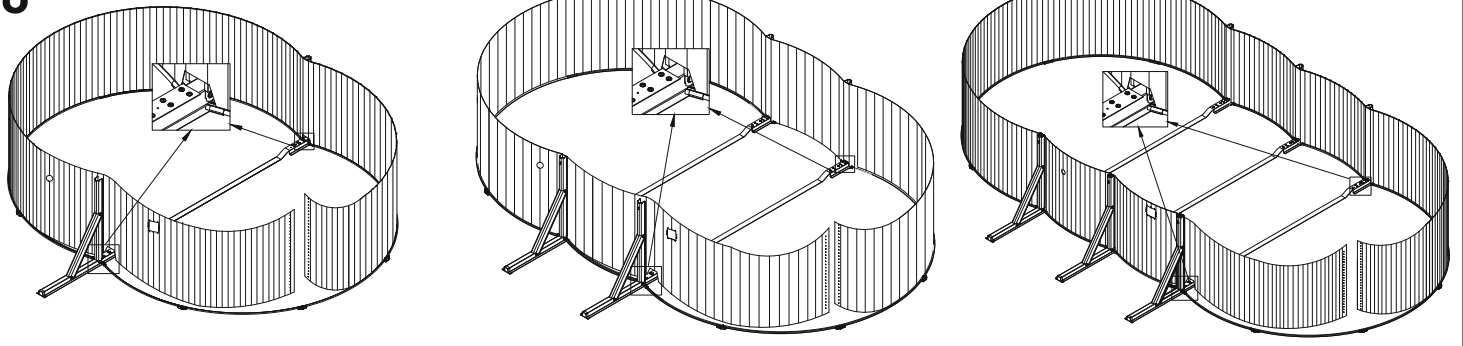
6



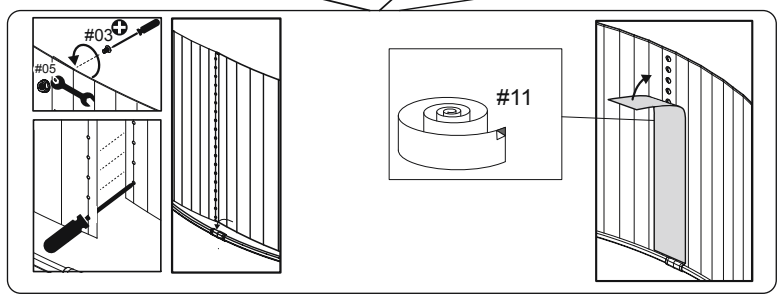
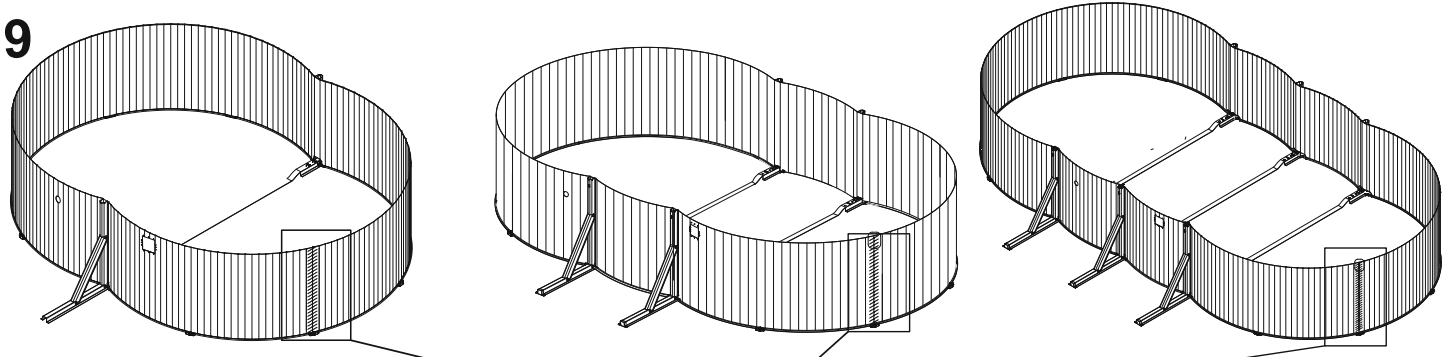
7



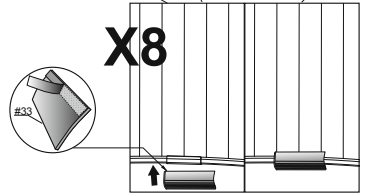
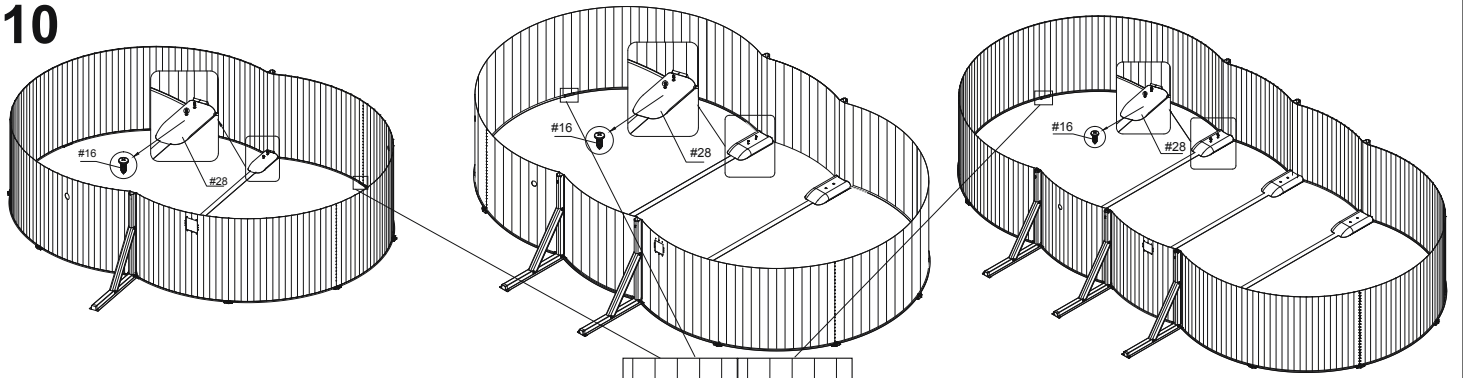
8



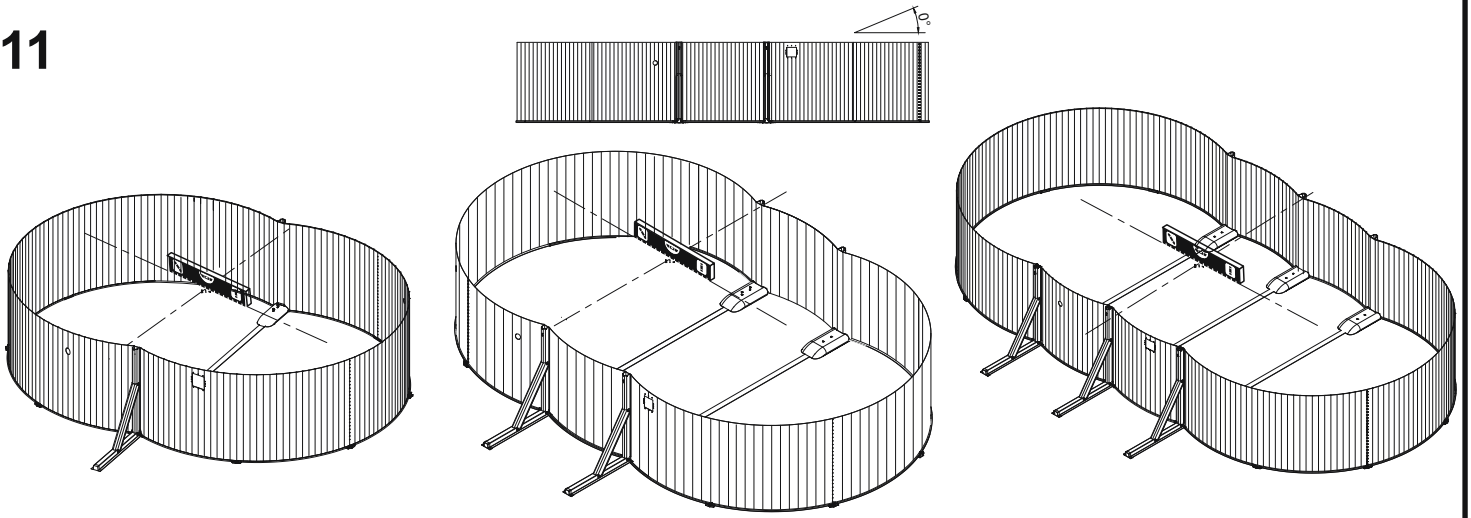
9



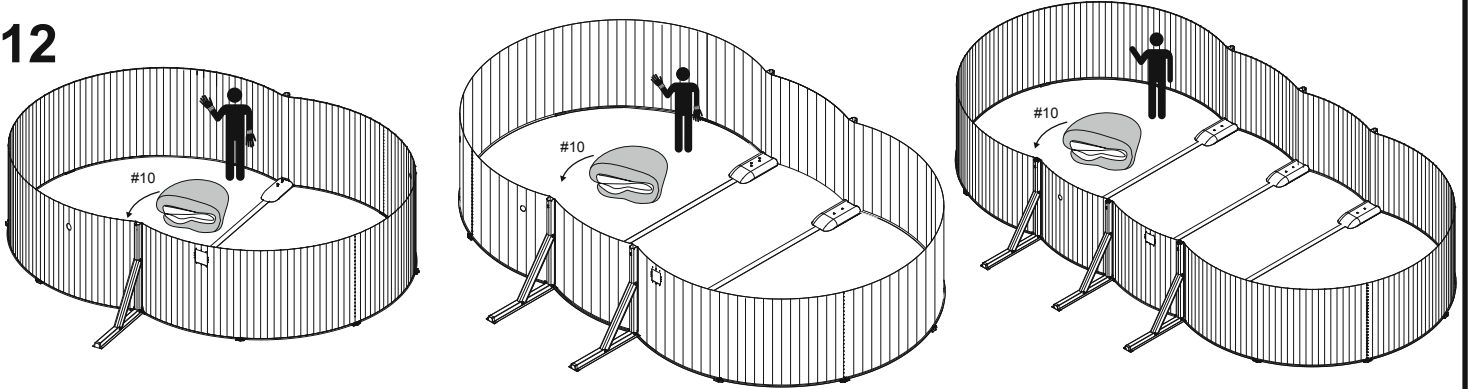
10



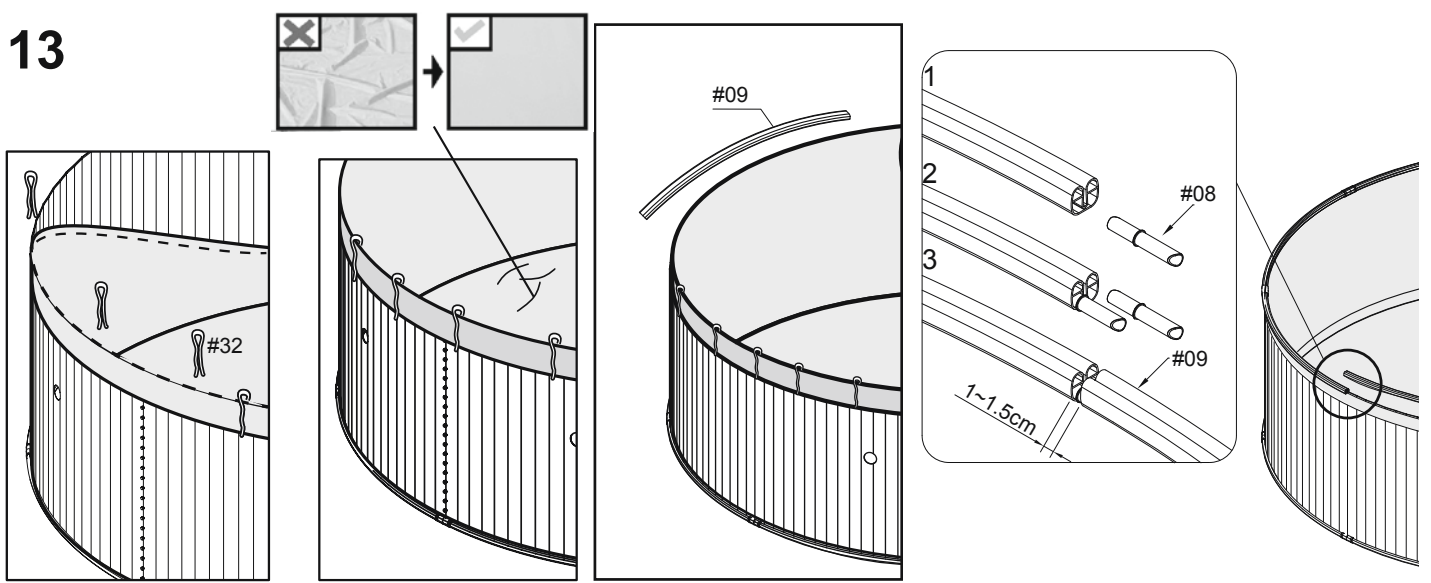
11



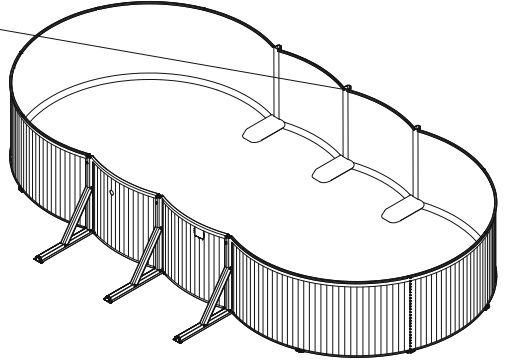
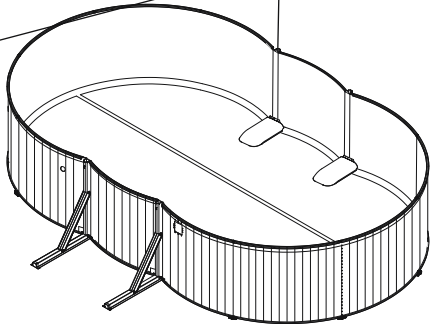
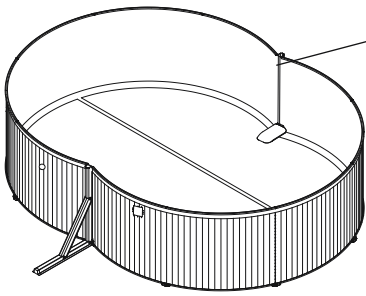
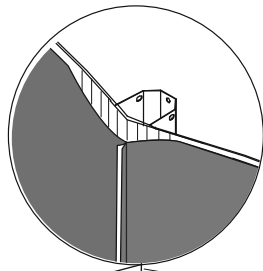
12



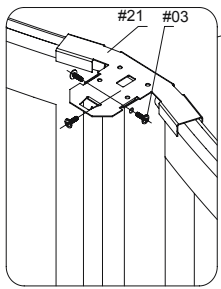
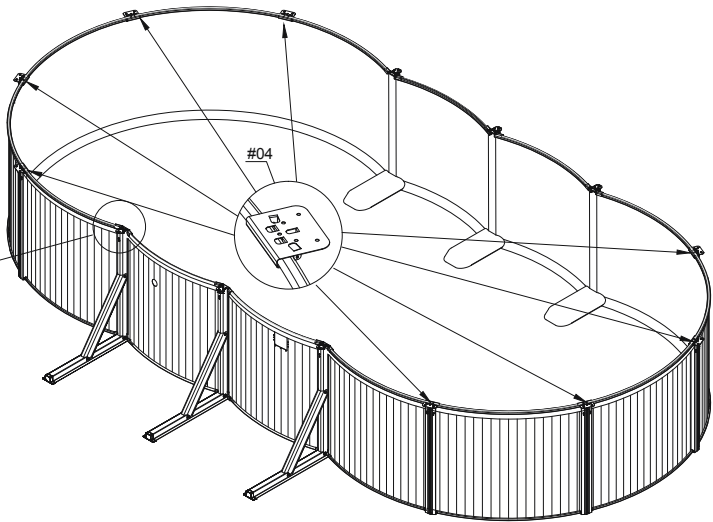
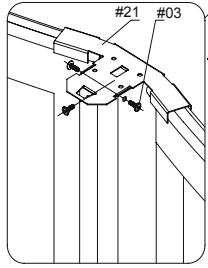
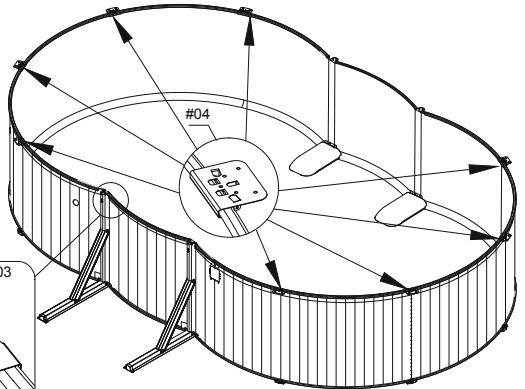
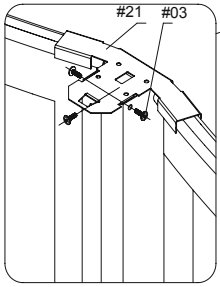
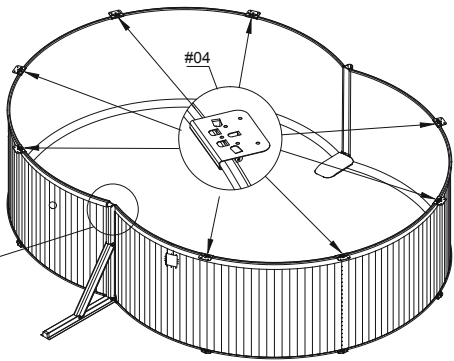
13

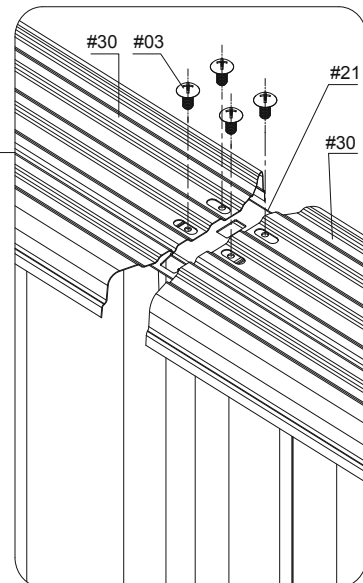
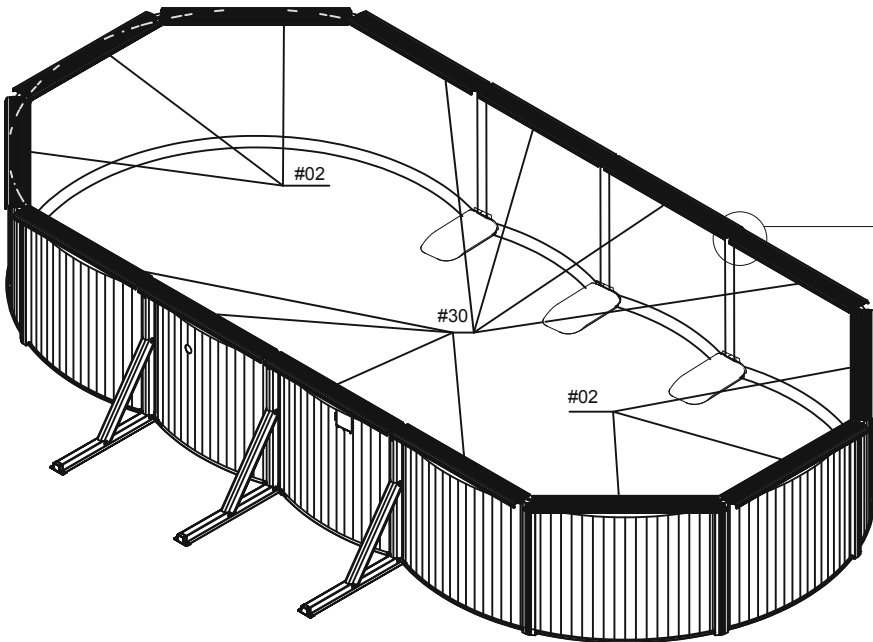
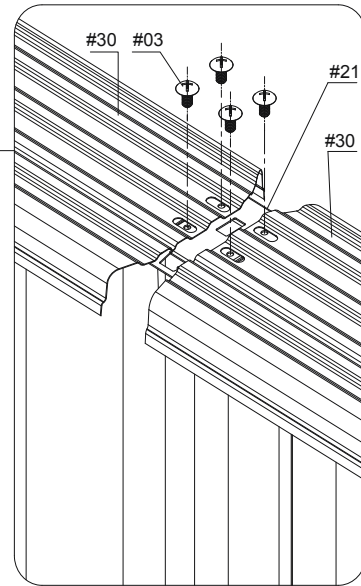
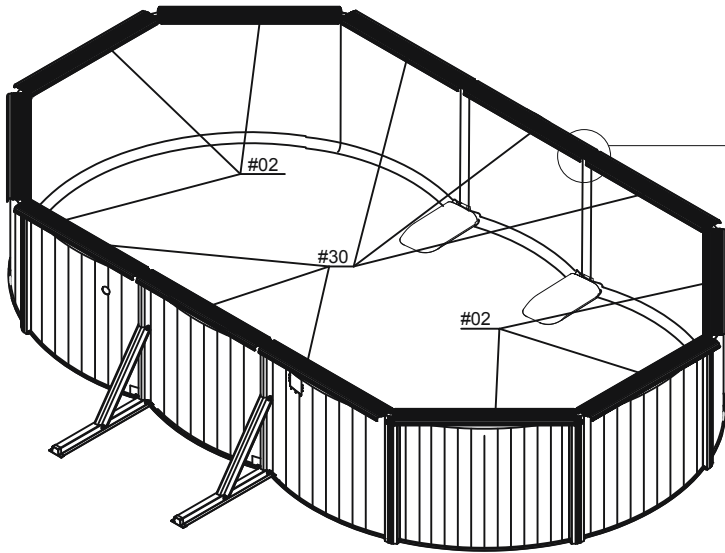
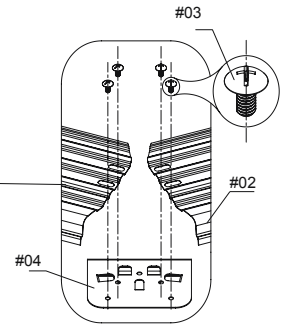
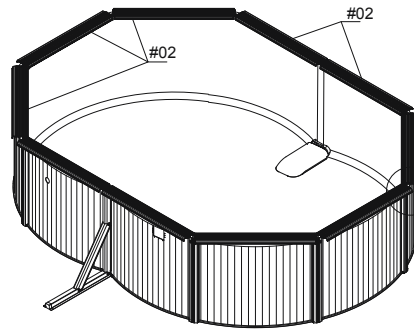
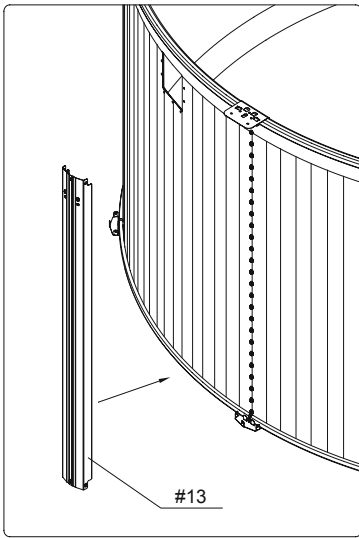


14

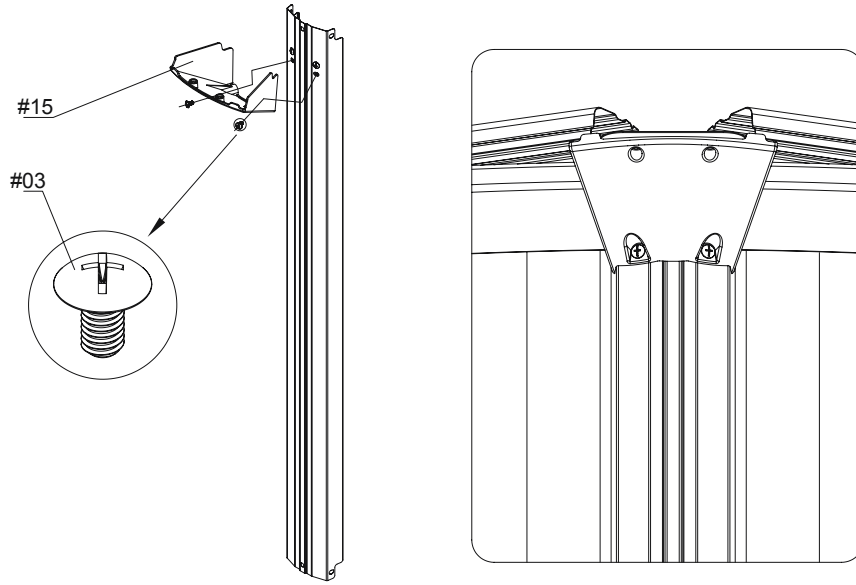


15

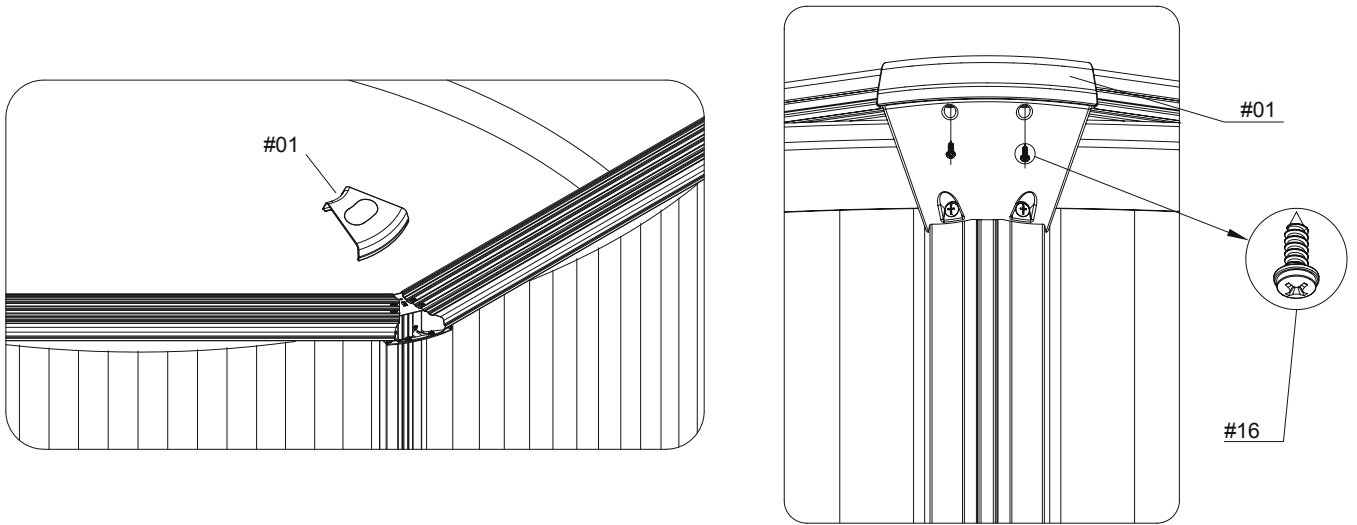




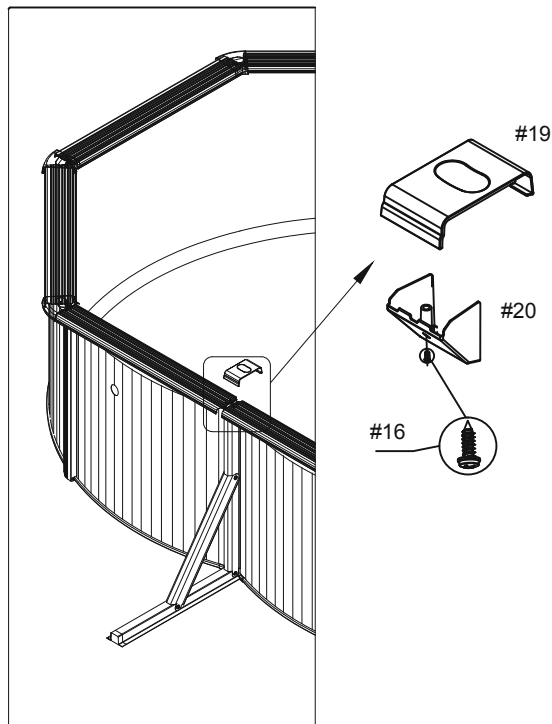
17



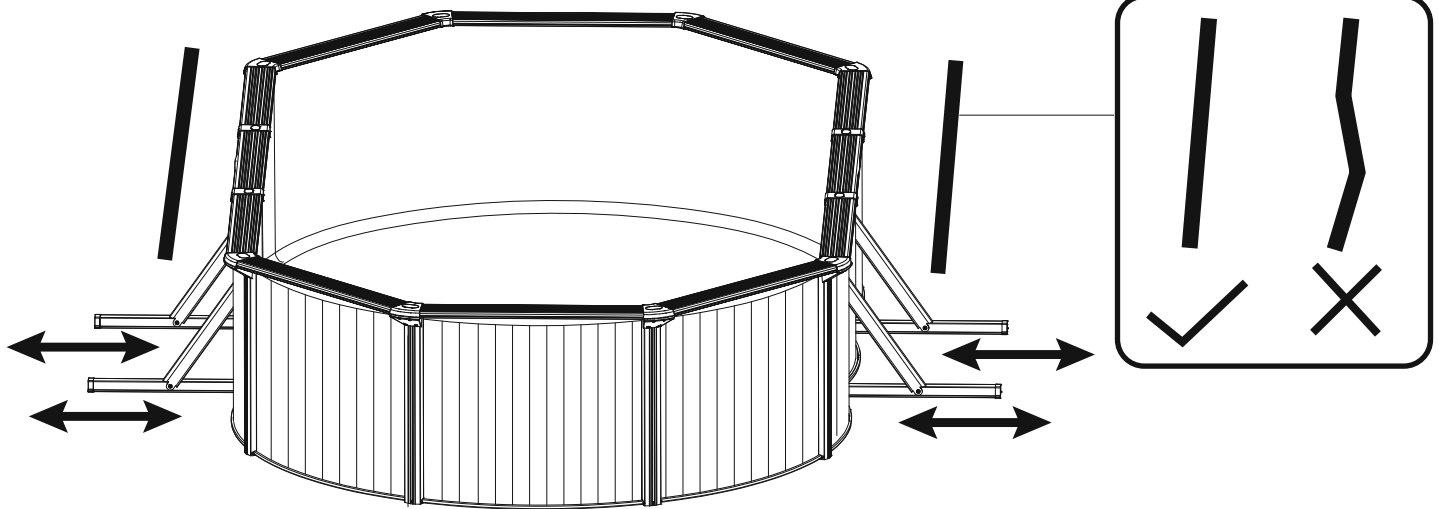
18



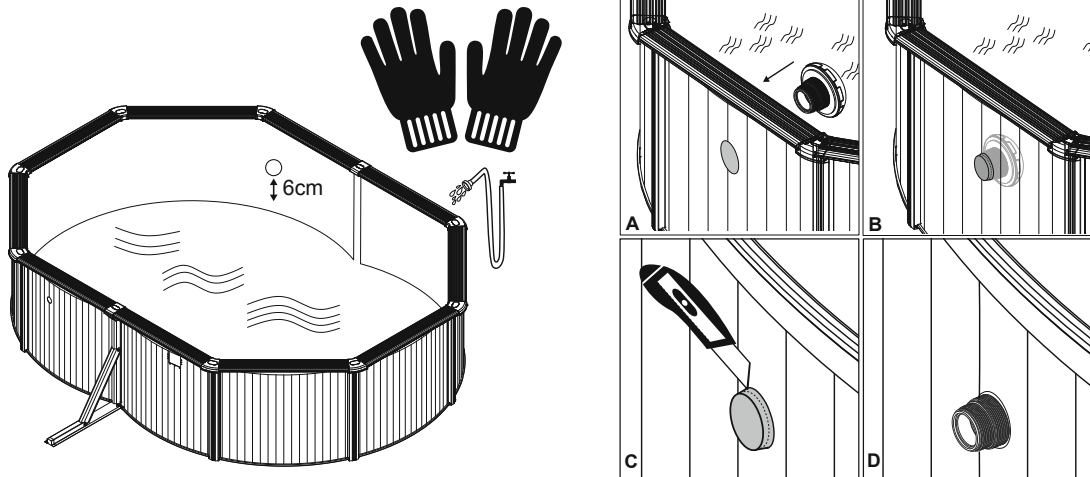
19



20



21



NOTE: Before connecting valve to the pool, fill the pool leaving 5 - 6cm of space between the position of the connection valve and water surface.

WARNING! Never permanently install the connection valve before the water is within a few centimeters of them because the liner has to be properly taut from the pressure of the water.

NOTE: Be careful the splinters or any sharp edges when cutting the pool.

IMPORTANT: Cutting more liner than necessary will damage and void the pool liner, so please trim with extra care.

NOTA: Antes de ligar a válvula à piscina, encha a piscina deixando 5 - 6cm de espaço entre a posição da válvula de ligação e a superfície da água.

ATENÇÃO! Nunca instale permanentemente a válvula de ligação antes da água estar a alguns centímetros de distância, porque o revestimento deve estar devidamente esticado com a pressão da água.

NOTA: Tome cuidado com as lascas ou quaisquer arestas afiadas quando cortar a piscina.

IMPORTANTE: O corte de mais forro do que o necessário pode danificar e esvaziar o forro da piscina, assim, apare com especial cuidado.

NOTA: Antes de conectar la válvula a la piscina, llene la piscina dejando unos 5/6 cm de espacio entre la posición de la válvula de conexión y la superficie del agua.

¡ADVERTENCIA! No proceda a realizar la instalación definitiva de la válvula de conexión antes de que el agua se encuentre a unos centímetros de ellos, ya que el revestimiento debe estar perfectamente estirado bajo la presión del agua.

NOTA: Preste atención a las astillas y a los bordes afilados cuando corte la piscina.

IMPORTANTE: Recortar más revestimiento del estrictamente necesario provocará daños y dejará la garantía del revestimiento sin validez. Le rogamos que extreme las precauciones al recortar.

HINWEIS: Füllen Sie den Pool bis zu einer Höhe von 5 - 6cm zwischen der Position des Anschlussventils und der (späteren) Wasseroberfläche mit Wasser, bevor Sie das Ventil am Pool befestigen.

WARNUNG! Installieren Sie das Anschlussventil nie dauerhaft, bevor der Pool nicht bis zu einer Höhe von einigen Zentimetern unterhalb der hierfür vorgesehenen Öffnungen mit Wasser gefüllt ist, da die Innenverkleidung durch den Wasserdruck erst korrekt gespannt werden muss.

HINWEIS: Seien Sie vorsichtig beim Zerschneiden des Pools und nehmen Sie sich in Acht vor Spänen, Spreißeln und scharfen Kanten.

WICHTIG: Schneiden Sie nicht mehr Innenverkleidung ab, als unbedingt erforderlich, da dies die Innenverkleidung beschädigt und unbrauchbar macht. Gehen Sie daher beim Entfernen mit besonderer Sorgfalt vor.

HUOMAA: Täytä allas ennen venttiin kytkemistä altaaseen jättäen 5–6 cm tilaa liitäntäventtiin ja vedenpinnan välille.

VAROITUS! Älä koskaan asenna liitäntäventtiiliä kiinteästi, ennen kuin veden pinta on muutaman senttimetrin päässä niistä, koska allasmuovi on ensin saatava riittävän kireälle veden paineen avulla.

HUOMAA: Varo tikkuja tai muita teräviä reunoja, kun leikkaat allasta.

TÄRKEÄÄ: Jos allasmuovia leikataan enemmän kuin on tarpeen, allasmuovi vaurioituu ja se on hyödytön, joten ole erityisen huolellinen leikatessasi.

OPMERKING: Vooraleer de klep te verbinden met het zwembad, vul het zwembad en laat daarbij 5 - 6 cm ruimte tussen de positie van de aansluitingsklep en het wateroppervlak.

WAARSCHUWING! Installeer nooit de aansluitingsklep permanent voor het water binnen enkele cm ervan staat omdat de bekleding strak genoeg moet zijn door de druk van het water.

OPMERKING: Wees voorzichtig voor splinters of scherpe randen bij het snijden van het zwembad.

BELANGRIJK: Meer bekleding afsnijden dan nodig zal de bekleding beschadigen, wees dus voorzichtig als u dit doet.

NOTA: Prima di collegare la valvola alla piscina, riempire la piscina lasciando 5-6 cm di spazio fra la posizione della valvola di collegamento e la superficie dell'acqua.

AVVERTENZA! Installare definitivamente la valvola di collegamento solo dopo che l'acqua arriva ad alcuni centimetri di distanza da essa, poiché il rivestimento deve essere teso adeguatamente con la pressione dell'acqua.

NOTA: Fare attenzione a schegge o bordi appuntiti quando si taglia la piscina.

IMPORTANTE: Tagliare in modo eccessivo potrebbe danneggiare il rivestimento, per cui l'operazione richiede particolare attenzione.

REMARQUE: Avant de raccorder la vanne à la piscine, remplissez la piscine en laissant 5 à 6 cm entre la position de la vanne de communication et la surface de l'eau.

ATTENTION! Ne montez jamais de manière permanente la vanne de communication avant que l'eau ne se trouve à quelques centimètres d'elle car la bâche doit être correctement tendue par la pression de l'eau.

REMARQUE: Faites attention aux écailles ou à toute arête vive quand vous découpez la piscine.

IMPORTANT: Si vous découpez plus de bâche que le nécessaire, cela abîmera et rendra inutile la bâche de la piscine, faites donc particulièrement attention lorsque vous la découpez.

ΣΗΜΕΙΩΣΗ: ΠΡΙΝ ΣΥΝΔΕΣΕΤΕ ΤΗ ΒΑΛΒΙΔΑ ΣΤΗΝ ΠΙΣΙΝΑ, ΓΕΜΙΣΤΕ ΤΗΝ ΠΙΣΙΝΑ ΑΦΗΝΟΝΤΑΣ ΑΠΟΣΤΑΣΗ 5 - 6cm. ΜΕΤΑΞΥ ΤΗΣ ΘΕΣΗΣ ΤΗΣ ΒΑΛΒΙΔΑΣ ΣΥΝΔΕΣΗΣ ΚΑΙ ΤΗΣ ΕΠΙΦΑΝΕΙΑΣ ΤΟΥ ΝΕΡΟΥ.

ΠΡΟΕΙΔΟΠΟΙΗΣΗ! ΠΟΤΕ ΜΗΝ ΤΟΠΟΘΕΤΕΙΤΕ ΤΗ ΒΑΛΒΙΔΑ ΣΥΝΔΕΣΗΣ ΠΡΙΝ ΤΟ ΝΕΡΟ ΦΤΑΣΕΙ ΕΝΤΟΣ ΜΕΡΙΚΩΝ ΕΚΑΤΟΣΤΩΝ ΑΠΟ ΑΥΤΑ, ΔΙΟΤΙ Η ΕΠΕΝΔΥΣΗ ΠΡΕΠΕΙ ΝΑ ΕΙΝΑΙ ΣΩΣΤΑ ΤΕΝΤΩΜΕΝΗ ΑΠΟ ΤΗΝ ΠΙΕΣΗ ΤΟΥ ΝΕΡΟΥ.

ΣΗΜΕΙΩΣΗ: ΠΡΟΣΕΧΕΤΕ ΓΙΑ ΑΚΙΔΕΣ Η ΑΙΧΜΗΡΕΣ ΑΚΜΕΣ ΟΤΑΝ ΚΟΒΕΤΕ ΤΗΝ ΠΙΣΙΝΑ.

ΣΗΜΑΝΤΙΚΟ: Η ΚΟΠΗ ΠΕΡΙΣΣΟΤΕΡΗΣ ΕΠΕΝΔΥΣΗΣ ΑΠΟ ΟΣΟ ΧΡΕΙΑΖΕΤΑΙ ΘΑ ΚΑΤΑΣΤΡΕΦΕΙ ΚΑΙ ΘΑ ΑΚΥΡΩΣΕΙ ΤΗΝ ΕΠΕΝΔΥΣΗ ΤΗΣ ΠΙΣΙΝΑΣ, ΓΙΑ ΑΥΤΟ ΠΑΡΑΚΑΛΟΥΜΕ ΚΟΨΤΕ ΜΕ ΜΕΓΑΛΗ ΠΡΟΣΟΧΗ.

ПРИМЕЧАНИЕ: Перед тем, как присоединить клапан к бассейну, наполните бассейн водой, не доходя 5-6 сантиметров до места расположения соединительного клапана.

ВНИМАНИЕ! Не закрепляйте окончательно соединительный клапан, пока вода не будет находиться в нескольких сантиметрах от них, так как чаша должна расправиться и плотно прилегать под давлением воды.

ПРИМЕЧАНИЕ: Будьте осторожны и следите за обломками и острыми углами, отрезая чашу.

ВАЖНО: Если отрезать больше чаши, чем нужно, это может повредить и привести ее в негодность, поэтому отрезайте очень аккуратно.

UWAGA: Przed podłączeniem zaworu do basenu napełnij basen pozostawiając odstęp 5 – 6 cm między położeniem zaworu łączącego a powierzchnią wody.

OSTRZEŻENIE! W żadnym przypadku nie montuj na stałe zaworu łączącego przed napełnieniem basenu wodą do wysokości kilku centymetrów poniżej niego, ponieważ wkładka basenu musi się odpowiednio naprężyć pod naciskiem wody.

UWAGA: Podczas przecinania basenu uważaj na zadziory i ostre krawędzie.

WAŻNE: Nie przecinaj wykładziny więcej niż potrzeba, ponieważ spowoduje to jej uszkodzenie i zniszczenie – tnij z najwyższą ostrożnością.

MEGJEGYZÉS: A szelepnek a medencéhez csatlakoztatása előtt töltsd fel a medencét vízzel úgy, hogy a vízszint 5 vagy 6 cm-rel a csatlakozószelep helyzete alatt legyen.

FIGYELMEZTETÉS! Soha ne szereld be a csatlakozószelepet véglegesen, míg a víz nincs néhány centiméterre tőlük, ugyanis a bevonatot a víz nyomásának megfelelően ki kell feszítenie.

MEGJEGYZÉS: A medence vágásakor vigyázzon a sorjával, illetve éles peremekkel.

FONTOS: Ha több bevonatot vág ki a szükségesnél, az a medencebevonat sérüléséhez és a garancia elvesztéséhez vezet, ezért a kivágást rendkívüli gondossággal végezze.

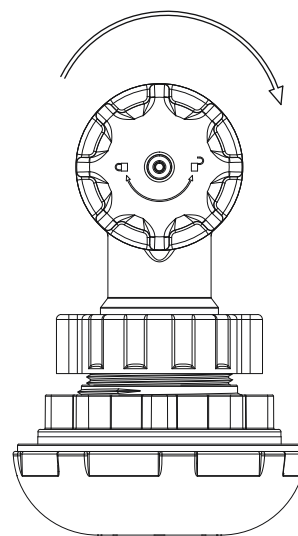
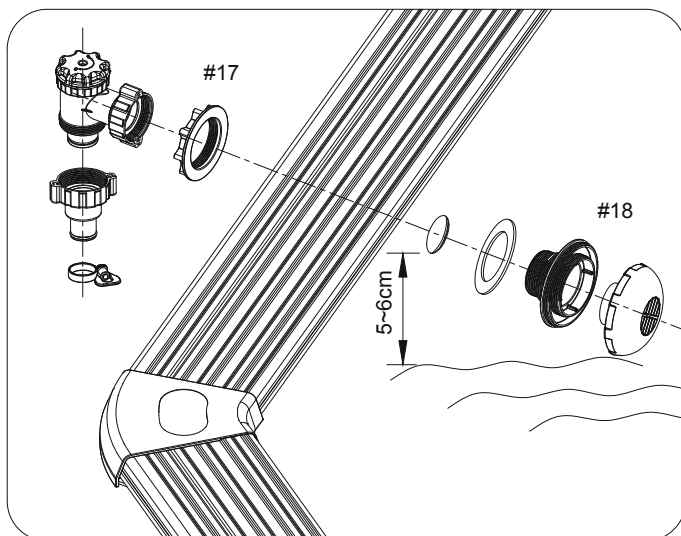
OBS! Innan du ansluter ventilerna till poolen, fyll poolen med vatten, men lämna 5 – 6cm utrymme mellan anslutningsventilens position och vattenytan.

VARNING! Installera aldrig anslutningsventilen permanent innan vattnet når några centimetrar under den, eftersom linern måste vara riktigt spänd men hjälp av vattnets tryck.

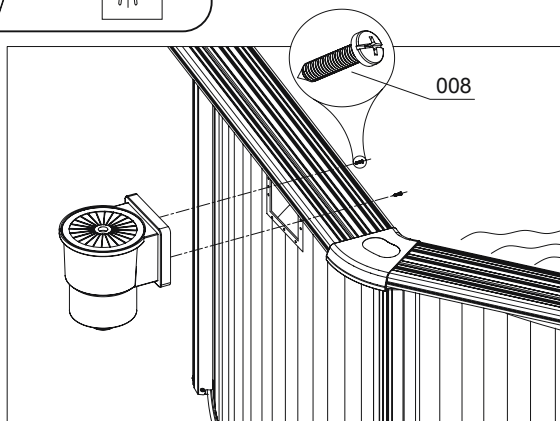
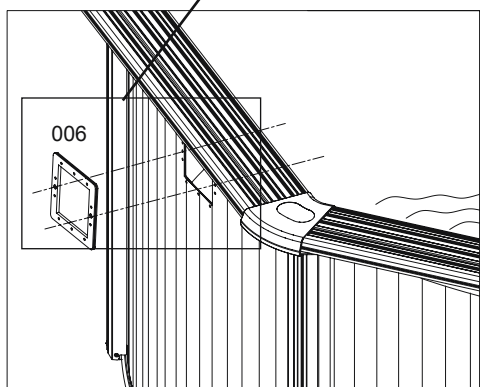
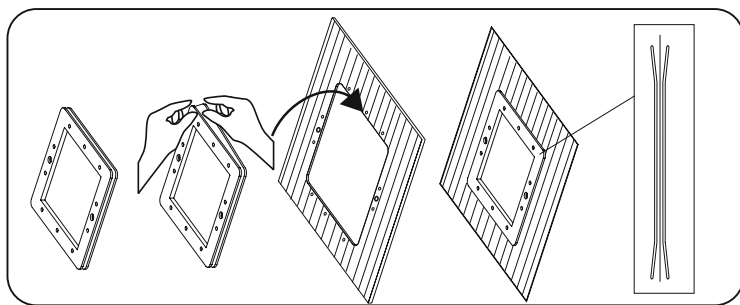
OBS! Var försiktig med flisor eller andra vassa kanter när du skär poolen.

VIKTIGT: Att skära mer liner än nödvändigt kan skada och förstöra poollinern. Skär därför med extra noggrannhet.

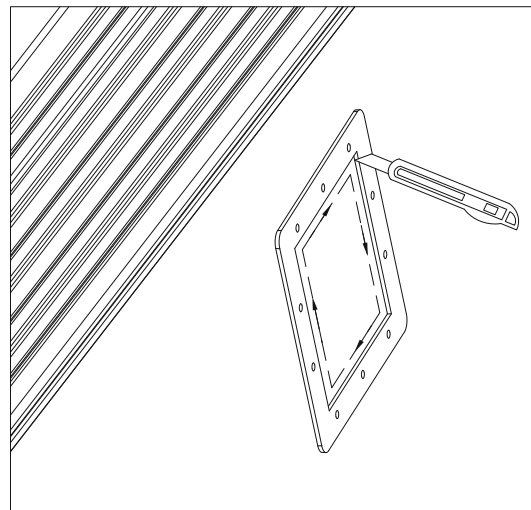
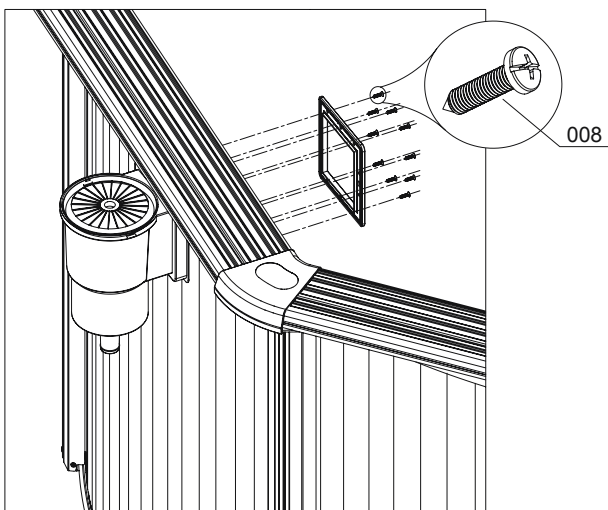
22



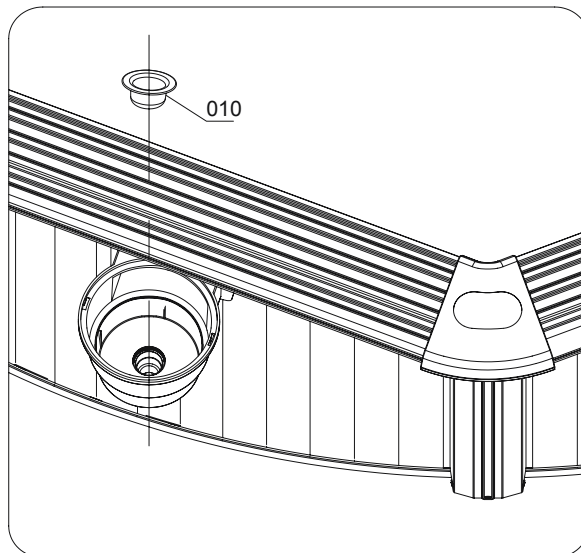
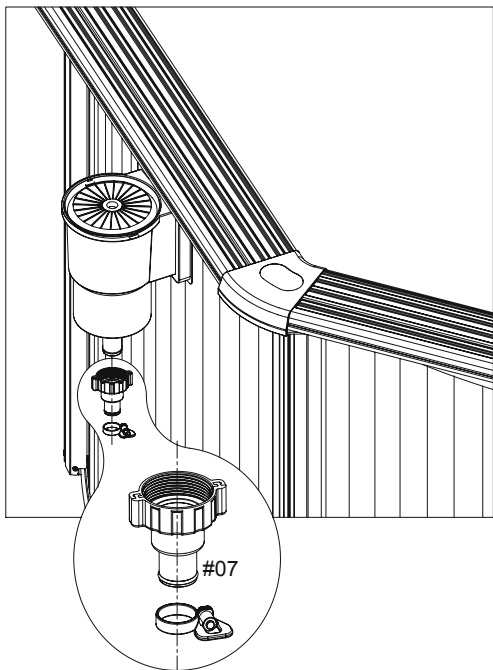
23



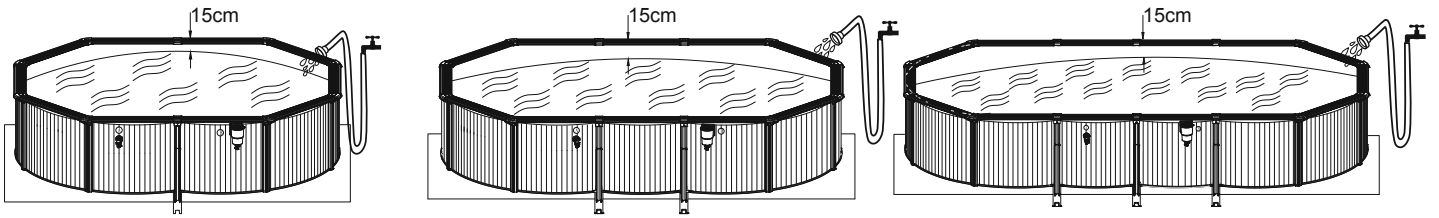
24



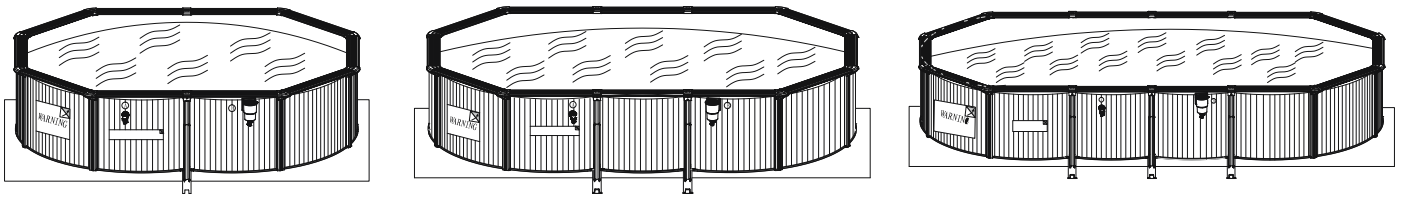
25



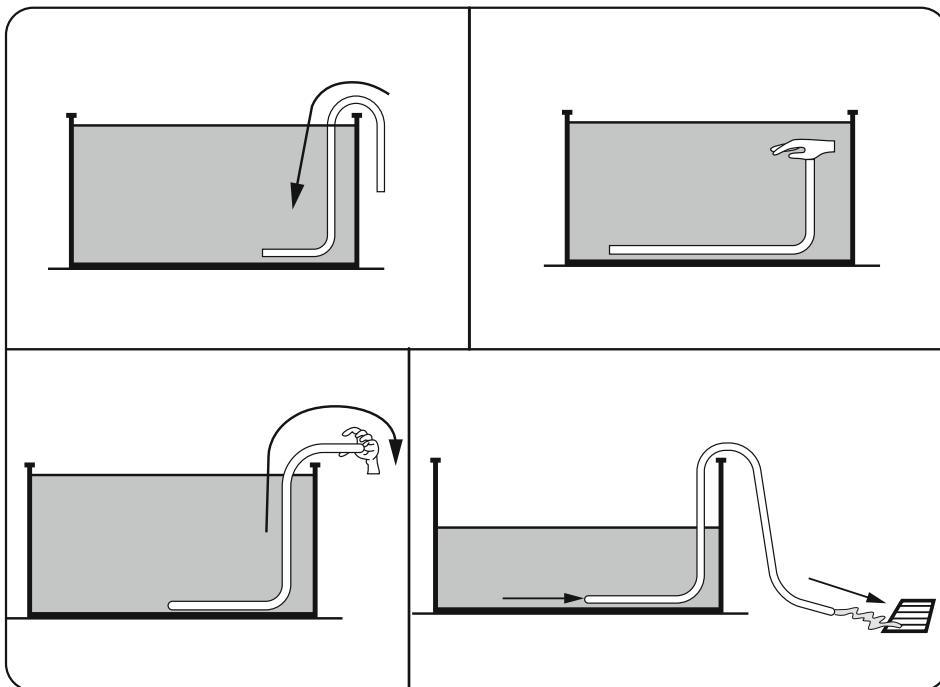
26



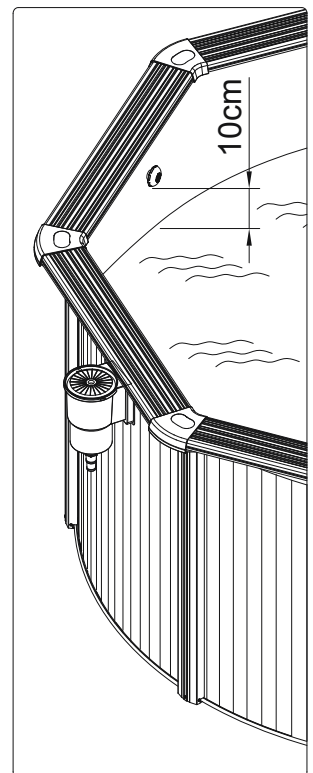
27



28



29



Limited BESTWAY® Manufacturer's Warranty

The product you have purchased comes with a limited warranty. Bestway® stands behind our quality guarantee and assures, through a replacement warranty, your product will be free from manufacturer's defects.

The following provision is only valid within the European member state countries. The legal regulation of Directive 1999/44/EC will not be effected by this BESTWAY limited warranty.

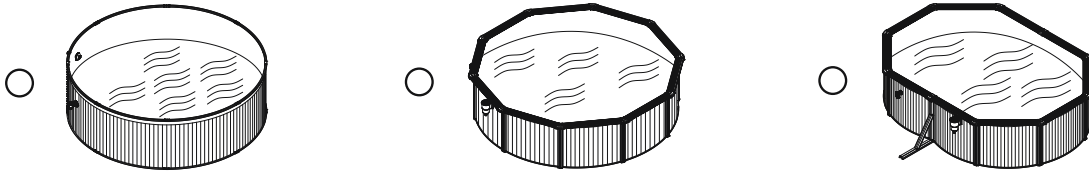
To enact a warranty claim, this form must be completed and submitted with a copy of your receipt/purchase to your local Bestway After Sales Center. Before any claims can be accepted, the Bestway After Sales Center may ask you to send a piece of the defective part to the center (e.g. a cut out of the production batch number / drain valve). Please contact your local Bestway After Sales Center before sending any documents. They will provide full instructions of what is needed for your claim.

Bestway® is not responsible for economic loss due to water or chemical costs. Bestway® will not replace any products deemed to have been damaged due to negligence or having been used outside of the owner's manual guidelines.

Bestway's warranty covers manufacturing defects discovered while unpacking the product or during use, within the limits of use and respectful of warnings and instructions given within the user's manual. This warranty applies only to products which have not been modified by any 3rd parties. The product must be stored and handled in accordance with the technical recommendations.

The Limited Warranty is valid for the period indicated above. The warranty start date is the date of sale shown on the original receipt/purchase invoice.

Please choose the type of your pool:



Date of purchase: _____ Customer Code Number: _____

TO: Bestway® Service Department Date: _____

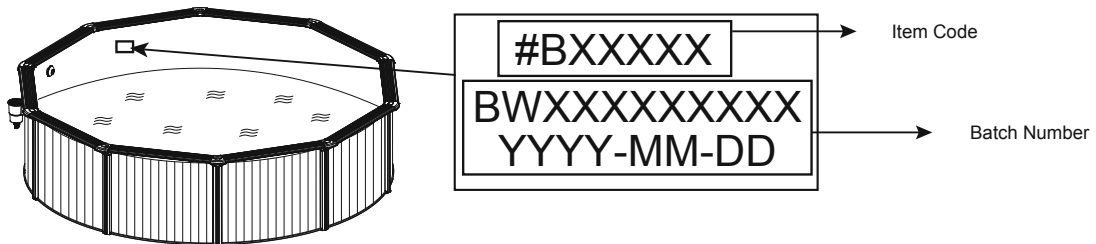
FAX/E-MAIL/TEL: Please refer to your country according to the information found on the back cover or on our website: www.bestwaycorp.com. Please provide your address details in full. **Note:** Incomplete address details will result in delayed shipments. Bestway reserves the right to charge for redelivery of undelivered packages where the recipient is at fault.

REQUIRED INFORMATION - PLEASE WRITE THE SHIPPING ADDRESS

Name: _____ Address: _____
 Zip Code: _____ Retailer: _____
 Country: _____ City: _____
 Mobile: _____ Telephone: _____
 Fax: _____ E-mail: _____

Please write the Batch Number and Item Code located near the drain valve

Batch Number: _____ Item Code: _____



Problem description

- Item is torn / Leaking
 Faulty welding
 Faulty upper ring
 Faulty drain valve
 Other (Please describe)
 Missing part (Please use the code for the missing part. This can be found in the owner's manual.)

IMPORTANT: ONLY THE DAMAGED PART WILL BE REPLACED, NOT THE COMPLETE SET.

Bestway reserves the right to request photographic evidence of defective parts, or to require sending the item for additional testing. In order to best assist you, we request all information you provide to be complete.

FOR FAQ, MANUALS, VIDEOS OR SPARE PARTS, PLEASE VISIT OUR WEBSITE: www.bestwaycorp.com
 VIDEOS ARE ALSO AVAILABLE ON OUR BESTWAY CHANNEL ON YOU TUBE: www.youtube.com/user/BestwayService



Garantia Limitada do Fabricante BESTWAY®

O produto que adquiriu inclui uma garantia limitada. A Bestway® suporta a nossa garantia de qualidade e assegura, através de uma garantia de substituição, que o seu produto estará livre de defeitos de fabrico.

O fornecimento seguinte é válido apenas nos países membros da União Europeia: O regulamento legal da Directiva 1999/44/CE não será afectado por esta garantia limitada BESTWAY.

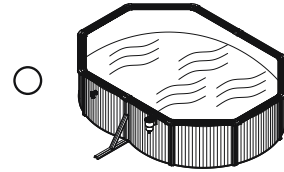
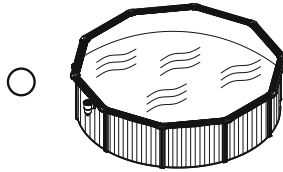
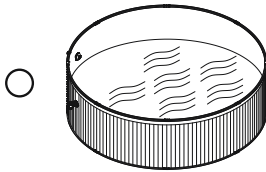
Para interpor um pedido de garantia, deve preencher este formulário, anexar uma cópia da sua factura de compra e enviá-los para o seu Centro de Pós-Vendas Bestway local. Antes que qualquer pedido de garantia possa ser aceite, o Centro de Pós-Vendas Bestway pode pedir-lhe que envie uma parte do componente defeituoso para o centro (ex. um recorte do número do lote de produção / válvula de drenagem). Por favor contacte o seu Centro de Pós-Vendas Bestway antes de enviar quaisquer documentos. Eles fornecerão instruções completas sobre o que é necessário para a sua reclamação.

A Bestway® não se responsabiliza por perdas económicas devido a custos de água ou químicos. A Bestway® não substituirá quaisquer produtos que sejam considerados negligenciados ou que tenham sido utilizados sem atenção às orientações do manual do proprietário.

A garantia Bestway abrange defeitos de fabrico detectados durante a desembalagem do produto ou durante a utilização, no âmbito dos limites de utilização respeitável dos avisos e instruções fornecidos no manual do utilizador. Esta garantia aplica-se apenas a produtos que não tenham sido modificados por terceiros. O produto deve ser armazenado e manuseado de acordo com as recomendações técnicas.

A Garantia Limitada é válida a partir do período indicado acima. A data de início da garantia corresponde à data indicada no recibo/factura de compra original.

Por favor escolha o seu tipo de piscina:



Data de Compra: _____ Código Numérico de Cliente: _____

PARA: Departamento de Serviço Bestway® Data: _____

FAX/E-MAIL/TEL: Por favor indique o seu país de acordo com a informação que encontrará no verso ou na nossa página: www.bestwaycorp.com
Forneça os dados da sua morada completa. **Nota:** Os dados incompletos de endereço resultarão em atrasos nos envios.
A Bestway reserva-se o direito de cobrar o reenvio de embalagens não entregues por responsabilidade do destinatário.

INFORMAÇÃO NECESSÁRIA - POR FAVOR PREENCHA A SUA MORADA DE ENTREGA

Nome: _____ Endereço: _____

Código postal: _____ Retalhista: _____

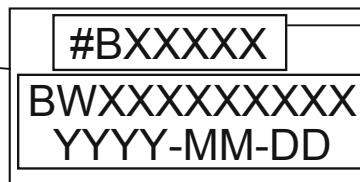
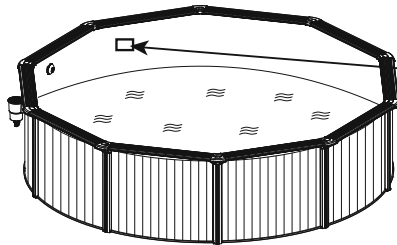
País: _____ Cidade: _____

Telemóvel: _____ Telefone: _____

Fax: _____ E-mail: _____

Por favor escreva o seu Número de Lote e Código de Item localizados junto à válvula de drenagem

Número de Lote: _____ Código de Item: _____



Código de Item

Número de Lote

Descrição do problema

- Rasgões / Fugas no item Soldadura defeituosa Anel superior defeituoso Válvula de drenagem defeituosa
- Outro (por favor descreva) Peça em falta (Por favor utilize o código para a peça em falta. Este pode ser encontrado no manual do proprietário.)

IMPORTANTE: APENAS A PEÇA DANIFICADA SERÁ SUBSTITUÍDA, NÃO O CONJUNTO COMPLETO.

A Bestway reserva-se o direito de solicitar provas fotográficas das peças defeituosas, ou solicitar o envio do item para testes adicionais. De forma a poder ajudá-lo melhor, pedimos que todas as informações por si fornecidas estejam completas.

PARA TER ACESSO ÀS PERGUNTAS FREQUENTES, MANUAIS, VÍDEOS OU PEÇAS DE SUBSTITUIÇÃO,
POR FAVOR VISITE A NOSSA PÁGINA: www.bestwaycorp.com
OS VÍDEOS ESTÃO TAMBÉM DISPONÍVEIS NO NOSSO CANAL BESTWAY NO YOU TUBE: <http://youtube.com/user/BestwayService>.

Bestway®

Garantía limitada del fabricante BESTWAY®

El producto que ha comprado viene acompañado de una garantía limitada. En Bestway® cumplimos nuestra garantía de calidad y le aseguramos, mediante una garantía de sustitución, que su producto estará libre de defectos de fabricación.

La siguiente disposición solo es válida en los estados miembros de la Unión Europea. La disposición legal de la directiva 1999/44/CE no se verá afectada por esta garantía limitada de BESTWAY.

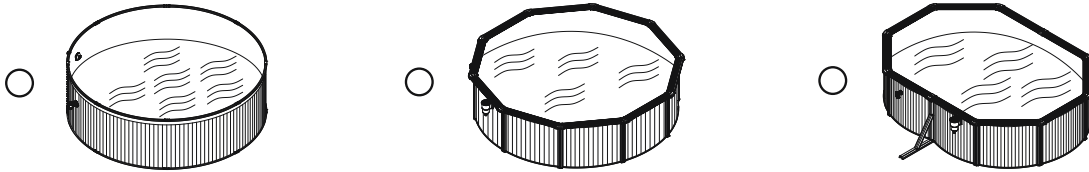
Si desea presentar una reclamación en garantía, cumplimente este impreso y envíelo a su centro de servicios posventa de Bestway local acompañado de una copia del recibo de compra. Antes de aceptar cualquier reclamación, el centro de servicios posventa de Bestway le pedirá que envíe una parte de la pieza defectuosa a dicho centro (por ejemplo, número de lote de fabricación recortado/válvula de drenaje). Póngase en contacto con su centro de servicios de posventa de Bestway antes de enviar cualquier documento; dicho centro le informará debidamente de lo necesario para tramitar su reclamación.

Bestway® no se responsabiliza por pérdidas económicas provocadas por costes químicos o de agua. Bestway® no restituirá ningún producto que pueda haber sido dañado a causa de una negligencia o que se haya utilizado incumpliendo las normas del manual del usuario.

La garantía de Bestway cubre los defectos de fabricación detectados al desembalar el producto o durante su uso, dentro de los límites de uso y siempre que se respeten las advertencias e instrucciones indicadas en el manual del usuario. Esta garantía se aplica solo a aquellos productos que no hayan sido modificados por terceros. El producto debe almacenarse y manipularse de acuerdo con las recomendaciones técnicas.

La garantía limitada será válida durante el plazo indicado anteriormente. La fecha de inicio de la garantía es la fecha de la venta que aparece en la factura o recibo de compra original.

Seleccione su tipo de piscina:



Fecha de compra: _____ Número de código de cliente: _____

PARA: Bestway® Service Department Fecha: _____

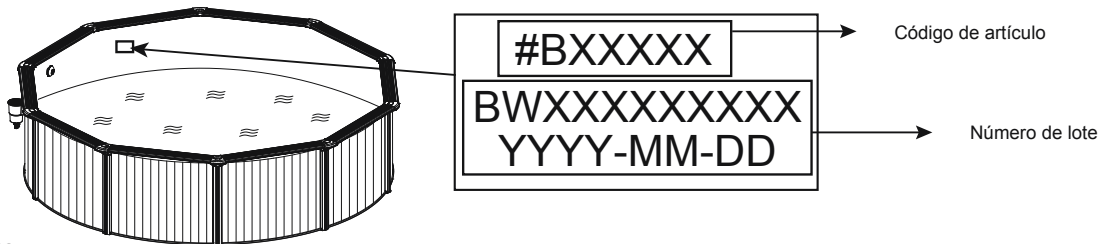
FAX/CORREO-E/TEL: Póngase en contacto con la dirección de su país que encontrará en la contraportada o en nuestra página web: www.bestwaycorp.com
Indique su dirección completa. **Nota:** Si los datos de la dirección no están completos, podrían producirse retrasos en los envíos.
Bestway se reserva el derecho a cobrar por el reenvío de paquetes no entregados por ausencia del destinatario.

INFORMACIÓN OBLIGATORIA - ESCRIBA LA DIRECCIÓN DE ENVÍO

Nombre: _____ Dirección: _____
Código postal: _____ Distribuidor: _____
País: _____ Ciudad: _____
Móvil: _____ Teléfono: _____
Fax: _____ E-mail: _____

Escriba el número de lote y el código de artículo situado cerca de la válvula de drenaje

Número de lote: _____ Código de artículo: _____



Descripción del problema

- La pieza está rota/tiene fugas Soldadura defectuosa Anillo superior defectuoso Válvula de drenaje defectuosa
- Otros (describalos) Falta una pieza (utilice el código de la pieza que falta. Lo encontrará en el manual del usuario).

IMPORTANTE: SOLO SE SUSTITUIRÁ LA PIEZA DAÑADA, NO EL CONJUNTO COMPLETO.

Bestway se reserva el derecho a solicitar pruebas fotográficas de las piezas defectuosas, o a solicitar que se envíe la pieza para efectuar pruebas adicionales. Para poder ayudarle mejor, es importante que nos proporcione información exhaustiva.

PARA CONSULTAR FAQ, MANUALES, VÍDEOS O COMPRAR PIEZAS DE REPUESTO,
VISITE NUESTRA PÁGINA: www.bestwaycorp.com
TAMBIÉN ENCONTRARÁ VÍDEOS EN NUESTRO CANAL BESTWAY DE YOUTUBE: <http://youtube.com/user/BestwayService>.



Eingeschränkte BESTWAY® Herstellergewährleistung

Das von Ihnen erworbene Produkt unterliegt einer eingeschränkten Gewährleistung. Bestway® steht hinter seiner Qualitätsgarantie und versichert, durch eine Austausch-Gewährleistung, dass Ihr Produkt frei von herstellungsbedingten Defekten ist.

Die nachstehende Vorschrift ist nur in EU-Mitgliedstaaten gültig. Die gesetzliche Regelung der Richtlinie 1999/44/EG bleibt durch diese eingeschränkte Bestway-Gewährleistung unberührt.

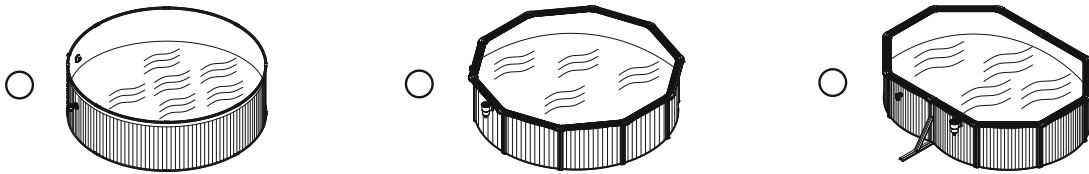
Um Gewährleistungsansprüche geltend zu machen, muss dieses Formular ausgefüllt und mit einer Kopie Ihres Empfangs-/Kaufbelegs versehen an Ihren lokalen Bestway Kundendienst (Bestway Aftersales Center) gesendet werden. Bevor Ihre Ansprüche akzeptiert werden können, wird das Bestway Aftersales Center Sie möglicherweise um die Zusendung defekter Teile (z. B. Ausschnitt der Seriennummer / Ablassventil) bitten. Bitte wenden Sie sich vor dem Absenden von Dokumenten an den lokalen Bestway Kundendienst. Dieser informiert Sie darüber, was für Ihren Gewährleistungsanspruch benötigt wird.

Bestway® haftet nicht für wirtschaftliche Schäden aufgrund von Kosten für Wasser und Chemikalien. Bestway® ersetzt keinerlei Produkte, die als nachlässig behandelt oder außerhalb der Richtlinien des Benutzerhandbuchs verwendet angesehen werden.

Die Bestway Gewährleistung deckt Herstellungsmängel ab, die beim Auspacken oder während der Verwendung des Produkts innerhalb der Nutzungsbeschränkungen sowie unter Berücksichtigung der Warnhinweise und Anweisungen des Benutzerhandbuchs entdeckt werden. Diese Gewährleistung erstreckt sich ausschließlich auf Produkte, welche nicht durch jedwede Drittparteien modifiziert wurden. Die Lagerung und die Handhabung des Produkts müssen entsprechend der technischen Empfehlungen erfolgen.

Die eingeschränkte Gewährleistung gilt für den oben angegebenen Zeitraum. Als Beginn des Gewährleistungszeitraums gilt das Datum des ursprünglichen Empfangs-/Kaufbelegs.

Bitte wählen Sie die Art Ihres Pools aus:



Kaufdatum: _____ Kundennummer: _____

AN: Bestway® Kundendienst Datum: _____

FAX/E-MAIL/TEL: Bitte beachten Sie die Hinweise für Ihr Land entsprechend der Informationen auf der Rückseite der Produktverpackung oder auf unserer Website: www.bestwaycorp.com

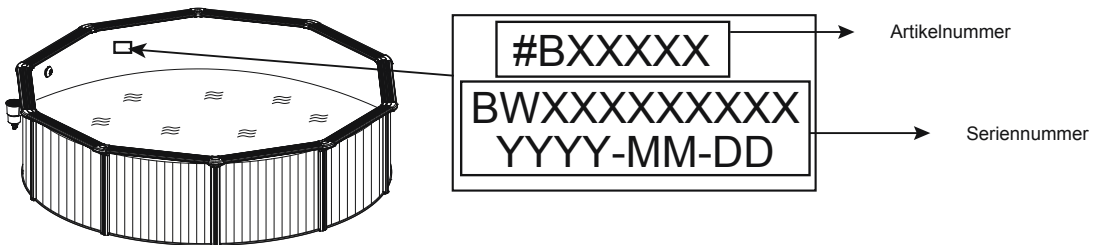
Bitte geben Sie Ihre vollständige Anschrift an. **Hinweis:** Unvollständige Adressdaten führen zu Versandverzögerungen. Bestway behält sich das Recht vor, die Kosten für unberechtigte Rücklieferungen in Rechnung zu stellen.

ERFORDERLICHE INFORMATIONEN - BITTE GEBEN SIE DIE LIEFERADRESSE AN

Name: _____ Anschrift: _____
 PLZ: _____ Händler: _____
 Land: _____ Stadt: _____
 Handy: _____ Telefon: _____
 Fax: _____ E-mail: _____

Bitte geben Sie die Seriennummer und die Artikelnummer an, die sich in der Nähe des Ablassventils befinden

Seriennummer: _____ Artikelnummer: _____



Problembeschreibung

- Risse im Artikel / Leckage
 Fehlerhaftes Verschweißen
 Fehlerhafter oberer Ring
 Fehlerhaftes Ablassventil
 Sonstiges (bitte beschreiben)
 Fehlendes Teil (Bitte verwenden Sie die Artikelnummer des fehlenden Teils. Diese finden Sie im Benutzerhandbuch.)

WICHTIG: ES WIRD LEDIGLICH DAS BESCHÄDIGTE TEIL AUSGETAUSCHT, NICHT DAS GESAMTE SET.

Bestway behält sich das Recht vor, fotografische Nachweise für defekte Teile oder die Zusendung des Artikels für weitere Prüfungen anzufordern. Um Ihnen bestmögliche Hilfestellung bieten zu können, bitten wir Sie um vollständige Angaben.

FÜR FAQ, HANDBÜCHER, VIDEOS ODER ERSATZTEILE BESUCHEN SIE BITTE UNSERE WEBSITE: www.bestwaycorp.com
 VIDEOS SIND AUCH AUF UNSEREM BESTWAY CHANNEL BEI YOUTUBE ERHÄLTlich: <http://youtube.com/user/BestwayService>.



Rajoitettu BESTWAY® valmistajan takuu

Ostamasi tuotteen mukana tulee rajoitettu takuu. Bestway® antaa tuotteille laatu- ja vaihtotakuun. Takaamme, että tuotteessa ei ole valmistusvirheitä.

Seuraava säännös on voimassa vain Euroopan unionin jäsenvaltioissa. Tämä BESTWAYN rajoitettu takuu ei vaikuta direktiivin 1999/44/EY säännöksiin.

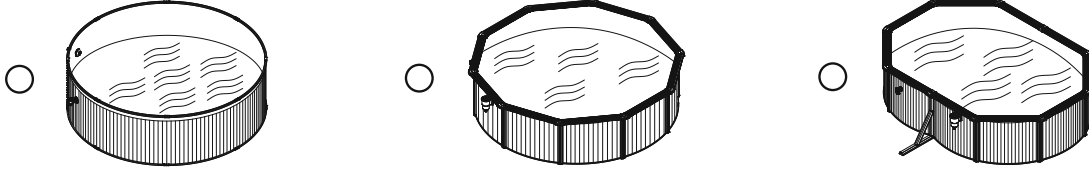
Tee takuuvaade täyttämällä tämä lomake ja toimittamalla ostokuitin kopio paikalliseen Bestwayn asiakaspalveluun. Ennen kuin vaade voidaan hyväksyä, Bestwayn asiakaspalvelu saattaa pyytää sinua lähettämään osan viallisesta osasta asiakaspalveluun (esim. sinua voidaan pyytää leikkaamaan valmistusnumero / poistoventtiili). Ota yhteyttä Bestwayn paikalliseen asiakaspalveluun ennen asiakirjojen lähettämistä. Saat tarkat ohjeet, mitä tarvitaan vaateesi tekemiseksi.

Bestway® ei ole vastuussa taloudellisesta menetyksestä, joka johtuu vesi- tai kemikaalikuistannuksista. Bestway® ei korvaa tuotteita, joiden katsotaan vahingoittuneen laiminlyönnin seurauksena tai joita on käytetty käyttöoppaan ohjeiden vastaisesti.

Bestwayn takuu kattaa valmistajan virheet, jotka on havaittu tuotetta purettaessa tai käytettäessä, käyttöoppaan käyttörajoituksia, varoituksia ja ohjeita noudattaen. Tämä takuu kattaa vain tuotteet joita ei ole muokattu ulkopuolisten toimesta. Tuote pitää varastoida ja sitä pitää käsitellä teknisten suositusten mukaisesti.

Rajoitettu takuu on voimassa yllä esitetyn ajan. Takuu aika alkaa alkuperäisen kuitin/ostolaskun sisältämästä myyntipäivästä.

Valitse altaasi tyyppi:



Ostopäivä: _____ Asiakaskoodin numero: _____

VASTAANOTTAJA: Bestway® Service Department Päivämäärä: _____

FAKSI/SPOSTI/PUH: Katso oman maasi tiedot takakannesta tai sivustoltamme löytyvien tietojen mukaisesti: www.bestwaycorp.com

Anna täydelliset osoitetietosi. **Huomaa:** Epätäydelliset osoitetiedot viivästyttävät lähetyksiä.

Bestway varaa oikeuden veloittaa toimittamattomien pakettien uudelleentoimituksesta, josvika on vastaanottajan.

VAADITUT TIEDOT - KIRJOITA TOIMITUSOSOITE

Nimi: _____ Osoite: _____

Postinumero: _____ Jälleenmyyjä: _____

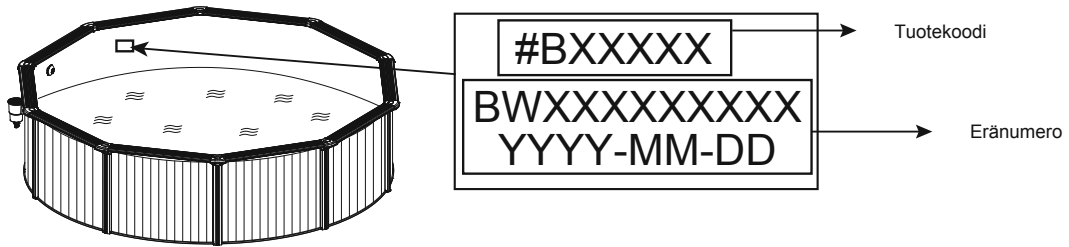
Maa: _____ Kunta: _____

Matkapuhelin: _____ Puhelin: _____

Faksi: _____ S-POSTI: _____

Kirjoita eränumero ja tuotekoodi, jotka sijaitsevat lähellä tyhjennysventtiiliä

Eränumero: _____ Tuotekoodi: _____



Ongelman kuvaus

Esine on repeytynyt / Vuotaa Virheellinen hitsaus Viallinen ylärengas Viallinen tyhjennysventtiili

Muu, mikä Puuttuva osa (Ilmoita puuttuvan osan koodi. Tämä löytyy käyttöoppaasta.)

TÄRKEÄÄ: VAIN VAURIOITUNUT OSA KORVATAAN, EI KOKO TUOTETTA.

Bestway varaa oikeuden pyytää valokuvatodisteita viallisista osista tai pyytää tuotteen lähettämistä lisätestejä varten.

Voidaksemme auttaa sinua parhaalla mahdollisella tavalla edellytämme, että täytät kaikki tiedot.

INTERNET-SIVUSTOSTA LÖYTYY USEIN KYSYTTYJÄ KYSYMYKSIÄ JA NIIDEN VASTUKSIA,

VIDEOITA JA TIETOJA VARAOSISTA: www.bestwaycorp.com

VIDEOITA ON MYÖS NÄHTÄVISSÄ BESTWAY-KANAVALLAMME YOUTUBESSA: <http://youtube.com/user/BestwayService>.

Bestway®

Beperkte BESTWAY® Fabrieksgarantie

Het product dat u hebt aangekocht heeft een beperkte garantie. Bestway® steunt onze kwaliteitsgarantie en verzekert, via een vervangingsgarantie, dat uw product vrij zal zijn van fabricagefouten.

Het volgende voorschrift is enkel geldig binnen de Europese lidstaten. De wettelijke regelgeving van Richtlijn 1999/44/EC zal niet beïnvloed worden door de beperkte garantie van Bestway.

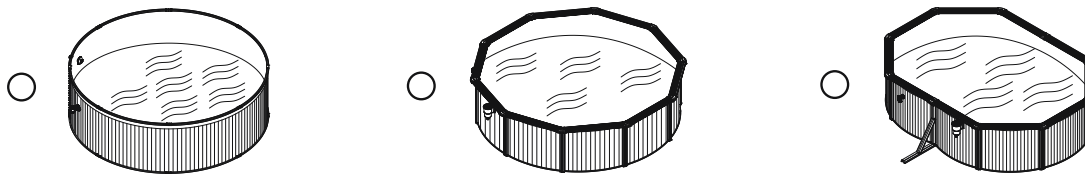
Om een garantieclaim in te dienen, moet dit formulier ingevuld worden en samen met een kopie van uw ontvangstbewijs/aankoopbewijs bezorgd worden aan uw lokale Bestway Dienst Naverkoop. Vooraleer enige claims geaccepteerd kunnen worden, zal uw Bestway Dienst Naverkoop u mogelijk vragen een stuk van het defecte onderdeel naar het centrum te zenden (bijv. een uitgesneden stuk van het productiebatchnummer / afvoerlepel). Neem contact op met uw lokale Bestway Dienst Naverkoop vooraleer enige documenten te zenden. Zij zullen volledige instructies geven betreffende wat nodig is voor uw claim.

Bestway® is niet verantwoordelijk voor economische verliezen omwille van water- of chemische kosten. Bestway® zal geen producten vervangen die geacht worden beschadigd te zijn omwille van nalatigheid of die gebruikt werden buiten de richtlijnen in de gebruikershandleiding.

De garantie van Bestway dekt fabricagefouten ontdekt bij het uitpakken van het product of tijdens het gebruik binnen de limieten van een gebruik en met respect voor waarschuwingen en instructies vermeld in de gebruikershandleiding. Deze garantie is enkel van toepassing op producten die niet gewijzigd mogen zijn door enige derde. Het product moet opgeborgen en gehanteerd worden overeenkomstig de technische aanbevelingen.

De beperkte garantie is geldig voor de periode hierboven aangegeven. De startdatum van de garantie is de datum van de verkoop weergegeven op het originele ontvangstbewijs/aankoopfactuur.

Kies het type van uw zwembad:



Datum van aankoop: _____ Klantencodenummer: _____

AAN: Bestway® Service Department Datum: _____

FAX/E-MAIL/TEL: Raadpleeg uw land volgens de informatie op de achteromslag of op onze website: www.bestwaycorp.com

Geef uw volledig adres op. **Opmerking:** Onvolledige adressen resulteren in vertraagde verzendingen

Bestway behoudt zich het recht voor om onafgeleverde pakketten terug te leveren wanneer de ontvanger in fout is.

VEREISTE INFORMATIE - NOTEER HET VERZENDADRES

Name: _____ Adres: _____

Postcode: _____ Detailhandelaar: _____

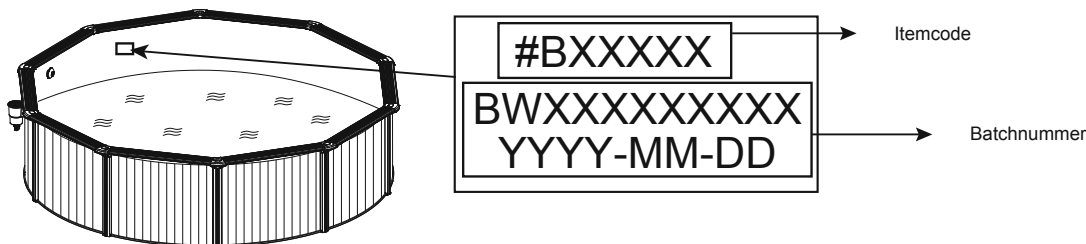
Land: _____ Stad: _____

Mobiel: _____ Telefoon: _____

Fax: _____ E-mail: _____

Noteer het batchnummer en de itemcode die zich bevinden nabij de afvoerlepel

Batchnummer: _____ Itemcode: _____



Probleemomschrijving

- Item is gescheurd / Lekt Fout gelast Kapotte bovenste ring Geïntegreerde afvoerlepel
- Andere (omschrijven aub) Ontbrekend onderdeel (Gebruik de code voor het ontbrekend onderdeel. Deze staat in de gebruikershandleiding)

BELANGRIJK: ALLEEN HET BESCHADIGDE ONDERDEEL ZAL VERVANGEN WORDEN, NIET DE VOLLEDIGE SET.

Bestway behoudt zich het recht voor om fotografische bewijzen van defecte onderdelen te vragen of om het item te verzenden voor extra testen. Om u het beste te kunnen helpen vragen we u om complete informatie te bezorgen.

VOOR FAQ, HANDLEIDINGEN, VIDEO'S OF RESERVEONDERDELEN, GA NAAR ONZE WEBSITE: www.bestwaycorp.com
VIDEO'S ZIJN OOK BESCHIKBAAR OP ONS BESTWAY CHANNEL OP YOUTUBE: <http://youtube.com/user/BestwayService>.



Garanzia limitata del produttore BESTWAY®

Il prodotto acquistato è coperto da una garanzia limitata. Bestway® garantisce che il prodotto è privo di difetti di fabbrica; in caso di difetti, il prodotto verrà sostituito.

La seguente disposizione è valida solo all'interno degli Stati membri dell'Unione europea. La garanzia limitata BESTWAY non avrà alcun effetto sulle disposizioni di legge della Direttiva 1999/44/CE.

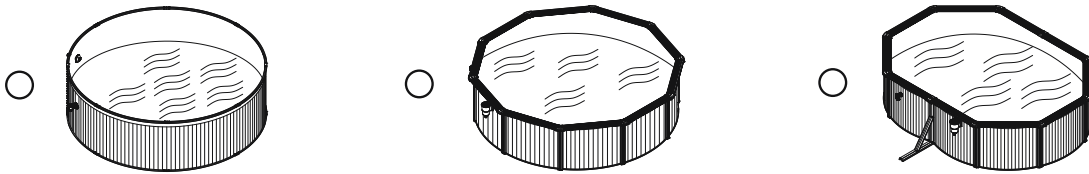
Per utilizzare la garanzia, compilare questo modulo e inviarlo assieme a una copia della ricevuta di acquisto al centro post-vendita Bestway locale. Per l'applicazione della garanzia, il centro post-vendita Bestway potrebbe chiedere l'invio di una parte del componente difettoso (ad es. il ritaglio del numero del lotto di produzione o la valvola di scarico). Prima di inviare i documenti, rivolgersi al centro post-vendita Bestway per ricevere le istruzioni dettagliate sugli elementi da fornire per l'applicazione della garanzia.

Bestway® non è responsabile per danni economici dovuti ai costi dell'acqua o dei prodotti chimici. Bestway® non sostituisce i prodotti se ritiene che siano stati utilizzati in maniera non corretta o non conforme alle istruzioni riportate nel manuale d'uso.

La garanzia rilasciata da Bestway copre eventuali difetti di fabbricazione scoperti all'apertura dell'imballo o durante l'uso del prodotto, ed è valida solo se l'apparecchiatura è stata utilizzata correttamente, in conformità alle avvertenze e alle istruzioni riportate nel manuale dell'utente. La garanzia è valida solo se il prodotto non è stato modificato. Conservare e utilizzare il prodotto in conformità alle raccomandazioni tecniche.

La garanzia limitata è valida nel periodo indicato sopra. La data di inizio validità della garanzia è la data di acquisto riportata sulla fattura o sulla ricevuta di acquisto originale.

Scegliere il tipo di piscina:



Data di acquisto: _____ Codice cliente: _____

A: Assistenza Bestway® Data: _____

FAX/EMAIL/TEL: fare riferimento ai dati relativi al proprio paese, riportati sul retrocopertina o reperibili sul sito Web: www.bestwaycorp.com
Fornire il proprio indirizzo completo. **Nota:** se si fornisce un indirizzo incompleto, la spedizione potrebbe subire ritardi.
Bestway si riserva il diritto di addebitare i costi di riconsegna di merce non recapitata per cause imputabili al destinatario.

INFORMAZIONI INDISPENSABILI: INDICARE L'INDIRIZZO DI SPEDIZIONE

Nome e Cognome: _____ Indirizzo: _____

CAP: _____ Rivenditore: _____

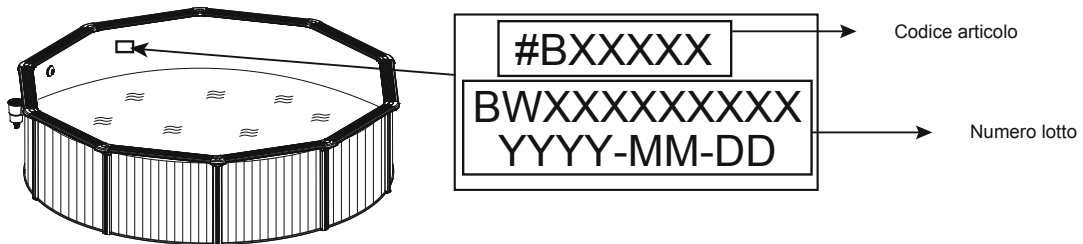
Nazione: _____ Città: _____

Cellulare: _____ Telefono: _____

Fax: _____ E-mail: _____

Scrivere il numero di lotto e il codice dell'articolo indicati accanto alla valvola di scarico

Numero lotto: _____ Codice articolo: _____



Descrizione del problema

Il prodotto è strappato/perde Saldatura difettosa Anello superiore difettoso Valvola di scarico difettosa

Altro (specificare) Componenti mancanti (utilizzare il codice delle parti mancanti, reperibile nel manuale per l'utente.)

IMPORTANTE: VERRANNO SOSTITUITI SOLO I COMPONENTI DANNEGGIATI, NON TUTTO IL PRODOTTO.

Bestway si riserva il diritto di richiedere prove fotografiche o l'invio dei componenti difettosi per ulteriori verifiche. Per ottenere la migliore assistenza possibile, le informazioni fornite devono essere complete.

PER CONSULTARE LE DOMANDE FREQUENTI, SCARICARE I MANUALI, VISUALIZZARE I VIDEO O REPERIRE RICAMBI,

VISITATE IL NOSTRO SITO WEB: www.bestwaycorp.com

I VIDEO SONO DISPONIBILI ANCHE SUL NOSTRO CANALE BESTWAY SU YOUTUBE: <http://youtube.com/user/BestwayService>

Garantie limitée du fabricant BESTWAY®

Le produit que vous avez acheté est accompagné d'une garantie limitée. Bestway® défend sa garantie de qualité et assure, grâce à une garantie de remplacement, que votre produit ne présentera pas de vices de fabrication.

La disposition suivante n'est valable que dans les pays européens : la Directive 1999/44/CE ne sera pas affectée par cette garantie limitée BESTWAY.

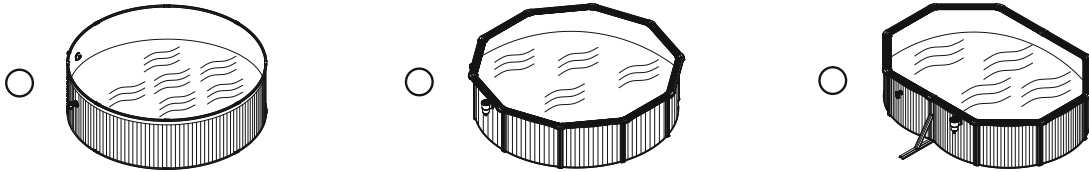
Pour présenter une réclamation dans le cadre de la garantie, il faut remplir ce formulaire qui doit être envoyé au service après-vente Bestway le plus proche, accompagné d'une copie de votre attestation d'achat. Avant d'accepter toute réclamation, le service après-vente Bestway peut vous demander de lui envoyer une partie de la pièce défectueuse (par ex : une découpe du numéro du lot de production / de la vanne de vidange). Veuillez contacter le service après-vente Bestway le plus proche avant d'envoyer tout document. Il vous communiquera toutes les instructions pour présenter votre réclamation.

Bestway® ne peut être tenue pour responsable du préjudice économique dérivant des coûts des produits chimiques ou de l'eau. Bestway® ne remplacera aucun produit jugé comme ayant été endommagé par négligence ou comme ayant été utilisé sans respecter les consignes de la notice d'utilisation.

La garantie Bestway couvre les vices de fabrication découverts lors du déballage du produit ou pendant son utilisation, dans les limites d'utilisation et dans le respect des mises en garde et des instructions fournies dans la notice d'utilisation. Cette garantie ne s'applique qu'aux produits n'ayant pas été modifiés par des tiers. Le produit doit être stocké et manipulé dans le respect des recommandations techniques.

La garantie limitée est valable pour la période susmentionnée. La garantie s'applique à partir de la date de la vente indiquée sur le reçu/la facture d'origine.

Veillez choisir le type de votre piscine :



Date d'achat : _____ N° de code client : _____

À L'ATTENTION DE : Bestway® Service Department Date : _____

FAX/E-MAIL/TÉL. : Veuillez vous référer à votre pays en ce qui concerne les informations que vous trouverez au dos de la couverture ou sur notre site web : www.bestwaycorp.com
Veillez fournir votre adresse dans son intégralité. **Remarque** : les adresses incomplètes porteront à des retards d'expédition.
Bestway se réserve le droit de facturer le retour des colis non livrés quand la faute est imputable au destinataire.

INFORMATIONS REQUISES - VEUILLEZ ÉCRIRE L'ADRESSE DE LIVRAISON

Nom: _____ Adresse: _____

Code postal: _____ Distributeur: _____

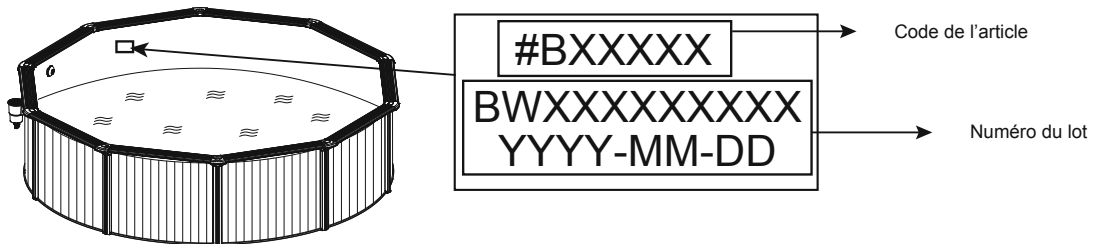
Pays: _____ Ville: _____

Portable: _____ Téléphone: _____

Fax: _____ E-mail: _____

Veillez écrire le numéro du lot et le code de l'article situé à proximité de la vanne de vidange

Numéro du lot : _____ Code de l'article : _____



Description du problème

- L'article est déchiré / Fuite Soudure défectueuse Boudin du haut défectueux Vanne de vidange défectueuse
- Autre (veuillez décrire) Partie manquante (veuillez utiliser le code pour la partie manquante. Vous pouvez le trouver sur la notice d'utilisation)

IMPORTANT: SEULE LA PIÈCE ENDOMMAGÉE SERA REMPLACÉE, PAS L'ENSEMBLE COMPLET.

Bestway se réserve le droit de demander des photographies attestant l'état défectueux des pièces ou de demander l'envoi de l'article pour des tests supplémentaires. Pour mieux vous aider, nous demandons à ce que toutes les informations que vous fournissez soient complètes.

POUR LES FAQ, MANUELS, VIDÉOS OU PIÈCES DÉTACHÉES, VEUILLEZ VISITER NOTRE SITE WEB : www.bestwaycorp.com
LES VIDÉOS SONT ÉGALEMENT DISPONIBLES SUR NOTRE CHAÎNE BESTWAY SUR YOUTUBE : <http://youtube.com/user/BestwayService>.



ΠΕΡΙΟΡΙΣΜΕΝΗ ΕΓΓΥΗΣΗ ΚΑΤΑΣΚΕΥΑΣΤΗ BESTWAY®

ΤΟ ΠΡΟΪΟΝ ΠΟΥ ΑΓΟΡΑΣΑΤΕ ΠΑΡΕΧΕΤΑΙ ΜΕ ΜΙΑ ΠΕΡΙΟΡΙΣΜΕΝΗ ΕΓΓΥΗΣΗ. Η BESTWAY® ΥΠΟΣΤΗΡΙΖΕΙ ΤΗΝ ΕΓΓΥΗΣΗ ΠΟΙΟΤΗΤΑΣ ΜΑΣ ΚΑΙ ΔΙΑΒΕΒΑΙΩΝΕΙ, ΜΕΣΩ ΜΙΑΣ ΕΓΓΥΗΣΗΣ ΑΝΤΙΚΑΤΑΣΤΑΣΗΣ, ΟΤΙ ΤΟ ΠΡΟΪΟΝ ΣΑΣ ΘΑ ΕΙΝΑΙ ΑΠΛΑΛΛΑΓΜΕΝΟ ΑΠΟ ΕΛΑΤΤΩΜΑΤΑ ΤΟΥ ΚΑΤΑΣΚΕΥΑΣΤΗ.

Η ΠΑΡΑΚΑΤΩ ΔΙΑΤΑΞΗ ΙΣΧΥΕΙ ΜΟΝΟ ΕΝΤΟΣ ΤΩΝ ΚΡΑΤΩΝ ΜΕΛΩΝ ΤΗΣ ΕΥΡΩΠΑΪΚΗΣ ΈΝΩΣΗΣ. Ο ΝΟΜΙΚΟΣ ΚΑΝΟΝΙΣΜΟΣ ΤΗΣ ΟΔΗΓΙΑΣ 1999/44/ΕΚ ΔΕΝ ΘΑ ΕΠΗΡΕΑΣΤΕΙ ΑΠΟ ΑΥΤΗΝ ΤΗΝ ΠΕΡΙΟΡΙΣΜΕΝΗ ΕΓΓΥΗΣΗ BESTWAY.

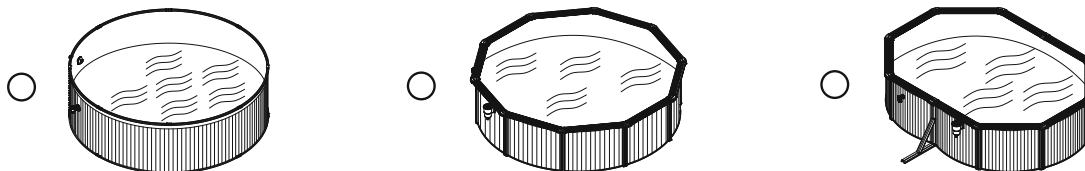
ΓΙΑ ΝΑ ΚΙΝΗΘΕΙ ΜΙΑ ΑΞΙΩΣΗ ΕΓΓΥΗΣΗΣ, ΠΡΕΠΕΙ ΝΑ ΣΥΜΠΛΗΡΩΘΕΙ ΑΥΤΟ ΤΟ ΕΝΤΥΠΟ ΚΑΙ ΝΑ ΥΠΟΒΛΗΘΕΙ ΣΥΝΟΔΕΥΟΜΕΝΟ ΑΠΟ ΕΝΑ ΑΝΤΙΓΡΑΦΟ ΤΗΣ ΑΠΟΔΕΙΞΗΣ/ΤΙΜΟΛΟΓΙΟΥ ΑΓΟΡΑΣ ΣΑΣ ΣΤΟ ΤΟΠΙΚΟ ΚΕΝΤΡΟ ΣΕΡΒΙΣ ΜΕΤΑ ΤΗΝ ΠΩΛΗΣΗ ΤΗΣ BESTWAY. ΠΡΙΝ ΜΠΟΡΕΣΟΥΝ ΝΑ ΓΙΝΟΥΝ ΑΠΟΔΕΚΤΕΣ ΟΠΟΙΕΣΔΗΠΟΤΕ ΑΞΙΩΣΕΙΣ, ΤΟ ΚΕΝΤΡΟ ΣΕΡΒΙΣ ΜΕΤΑ ΤΗΝ ΠΩΛΗΣΗ ΤΗΣ BESTWAY ΜΠΟΡΕΙ ΝΑ ΣΑΣ ΖΗΤΗΣΕΙ ΝΑ ΣΤΕΙΛΕΤΕ ΕΝΑ ΚΟΜΜΑΤΙ ΤΟΥ ΕΛΑΤΤΩΜΑΤΙΚΟΥ ΕΞΑΡΤΗΜΑΤΟΣ ΣΤΟ ΚΕΝΤΡΟ (Π.Χ. ΕΝΑ ΑΠΟΚΟΜΜΑ ΑΠΟ ΤΟ ΑΡΙΘΜΟ ΠΑΡΤΙΔΑΣ ΠΑΡΑΓΩΓΗΣ / ΒΑΛΒΙΔΑ ΑΠΟΣΤΡΑΓΓΙΣΗΣ). ΠΑΡΑΚΑΛΟΥΜΕ ΕΠΙΚΟΙΝΩΝΗΣΤΕ ΜΕ ΤΟ ΤΟΠΙΚΟ ΚΕΝΤΡΟ ΣΕΡΒΙΣ ΜΕΤΑ ΤΗΝ ΠΩΛΗΣΗ ΤΗΣ BESTWAY ΠΡΙΝ ΑΠΟ ΤΗΝ ΑΠΟΣΤΟΛΗ ΟΠΟΙΩΝΔΗΠΟΤΕ ΕΓΓΡΑΦΩΝ. ΘΑ ΣΑΣ ΠΑΡΑΣΧΟΥΝ ΠΛΗΡΕΙΣ ΟΔΗΓΙΕΣ ΓΙΑ ΤΟ ΤΙ ΧΡΕΙΑΖΕΤΑΙ ΓΙΑ ΤΗΝ ΑΞΙΩΣΗ ΣΑΣ.

Η BESTWAY® ΔΕΝ ΕΥΘΥΝΕΤΑΙ ΓΙΑ ΟΙΚΟΝΟΜΙΚΗ ΑΠΩΛΕΙΑ ΛΟΓΩ ΤΟΥ ΚΟΣΤΟΥΣ ΤΟΥ ΝΕΡΟΥ Η ΤΩΝ ΧΗΜΙΚΩΝ. Η BESTWAY® ΔΕΝ ΘΑ ΑΝΤΙΚΑΤΑΣΤΗΣΕΙ ΟΠΟΙΟΔΗΠΟΤΕ ΠΡΟΪΟΝΤΑ ΘΕΩΡΗΣΕΙ ΟΤΙ ΕΧΟΥΝ ΚΑΤΑΣΤΡΑΦΕΙ ΛΟΓΩ ΑΜΕΛΕΙΑΣ Η ΛΟΓΩ ΤΟΥ ΟΤΙ ΕΧΟΥΝ ΧΡΗΣΙΜΟΠΟΙΗΘΕΙ ΕΚΤΟΣ ΤΩΝ ΚΑΤΕΥΘΥΝΤΗΡΙΩΝ ΟΔΗΓΙΩΝ ΣΤΟ ΕΓΧΕΙΡΙΔΙΟ ΙΔΙΟΚΤΗΤΗ.

Η ΕΓΓΥΗΣΗ ΤΗΣ BESTWAY ΚΑΛΥΠΤΕΙ ΕΛΑΤΤΩΜΑΤΑ ΚΑΤΑΣΚΕΥΗΣ ΠΟΥ ΑΝΑΚΑΛΥΦΘΗΚΑΝ ΚΑΤΑ ΤΗΝ ΑΠΟΣΥΣΚΕΥΑΣΙΑ ΤΟΥ ΠΡΟΪΟΝΤΟΣ Η ΚΑΤΑ ΤΗ ΧΡΗΣΗ, ΕΝΤΟΣ ΤΩΝ ΟΡΙΩΝ ΜΙΑΣ ΧΡΗΣΗΣ ΚΑΙ ΣΕΒΑΣΜΟΥ ΤΩΝ ΠΡΟΕΙΔΟΠΟΙΗΣΕΩΝ ΚΑΙ ΤΩΝ ΟΔΗΓΙΩΝ ΠΟΥ ΔΙΝΟΝΤΑΙ ΣΤΟ ΕΓΧΕΙΡΙΔΙΟ ΧΡΗΣΗΣ. Η ΕΓΓΥΗΣΗ ΑΥΤΗ ΙΣΧΥΕΙ ΜΟΝΟ ΓΙΑ ΠΡΟΪΟΝΤΑ ΠΟΥ ΔΕΝ ΠΡΕΠΕΙ ΝΑ ΕΧΟΥΝ ΤΡΟΠΟΠΟΙΗΘΕΙ ΑΠΟ ΟΠΟΙΟΝΔΗΠΟΤΕ ΤΡΙΤΟ. ΤΟ ΠΡΟΪΟΝ ΠΡΕΠΕΙ ΝΑ ΑΠΟΘΗΚΕΥΤΕΙ ΚΑΙ ΝΑ ΥΠΟΣΤΕΙ ΧΕΙΡΙΣΜΟ ΣΥΜΦΩΝΑ ΜΕ ΤΙΣ ΤΕΧΝΙΚΕΣ ΣΥΣΤΑΣΕΙΣ.

Η ΠΕΡΙΟΡΙΣΜΕΝΗ ΕΓΓΥΗΣΗ ΙΣΧΥΕΙ ΓΙΑ ΤΗΝ ΠΕΡΙΟΔΟ ΠΟΥ ΑΝΑΦΕΡΕΤΑΙ ΠΑΡΑΠΑΝΩ. Η ΗΜΕΡΟΜΗΝΙΑ ΕΝΑΡΞΗΣ ΤΗΣ ΕΓΓΥΗΣΗΣ ΕΙΝΑΙ Η ΗΜΕΡΟΜΗΝΙΑ ΠΩΛΗΣΗΣ ΠΟΥ ΕΜΦΑΝΙΖΕΤΑΙ ΣΤΗΝ ΠΡΩΤΟΤΥΠΗ ΑΠΟΔΕΙΞΗ/ΤΙΜΟΛΟΓΙΟ ΑΓΟΡΑΣ.

ΠΑΡΑΚΑΛΟΥΜΕ ΕΠΙΛΕΞΤΕ ΤΟΝ ΤΥΠΟ ΤΗΣ ΠΙΣΙΝΑΣ ΣΑΣ:



ΗΜΕΡΟΜΗΝΙΑ ΑΓΟΡΑΣ: _____ ΚΩΔΙΚΟΣ ΑΡΙΘΜΟΣ ΠΕΛΑΤΗ: _____

ΠΡΟΣ: ΤΜΗΜΑ ΣΕΡΒΙΣ BESTWAY® ΗΜΕΡΟΜΗΝΙΑ: _____

ΦΑΞ/Ε-MAIL/ΤΗΛ: ΠΑΡΑΚΑΛΟΥΜΕ ΑΝΑΦΕΡΘΕΙΤΕ ΣΤΗ ΧΩΡΑ ΣΑΣ, ΣΥΜΦΩΝΑ ΜΕ ΤΙΣ ΠΛΗΡΟΦΟΡΙΕΣ ΠΟΥ ΘΑ ΒΡΕΙΤΕ ΣΤΟ ΠΙΣΩ ΕΞΟΦΥΛΛΟ Η ΣΤΗΝ ΙΣΤΟΣΕΛΙΔΑ ΜΑΣ: www.bestwaycorp.com

ΠΑΡΑΚΑΛΩ ΠΑΡΑΣΧΕΤΕ ΤΑ ΠΛΗΡΗ ΣΤΟΙΧΕΙΑ ΤΗΣ ΔΙΕΥΘΥΝΣΗΣ ΣΑΣ. ΣΗΜΕΙΩΣΗ: ΕΛΛΙΠΗ ΣΤΟΙΧΕΙΑ ΔΙΕΥΘΥΝΣΗΣ ΘΑ ΕΧΟΥΝ ΩΣ ΑΠΟΤΕΛΕΣΜΑ ΚΑΘΥΣΤΕΡΗΣΕΙΣ ΣΤΙΣ ΑΠΟΣΤΟΛΕΣ. Η BESTWAY ΔΙΑΤΗΡΕΙ ΤΟ ΔΙΚΑΙΩΜΑ ΧΡΕΩΣΗΣ ΓΙΑ ΤΗΝ ΕΚ ΝΕΟΥ ΠΑΡΑΔΟΣΗ ΤΩΝ ΜΗ ΠΑΡΑΔΟΘΕΝΤΩΝ ΔΕΜΑΤΩΝ ΛΟΓΩ ΥΠΑΙΤΙΟΤΗΤΑΣ ΤΟΥ ΠΑΡΑΛΗΠΤΗ.

ΑΠΑΙΤΟΥΜΕΝΕΣ ΠΛΗΡΟΦΟΡΙΕΣ - ΠΑΡΑΚΑΛΟΥΜΕ ΓΡΑΦΤΕ ΤΗ ΔΙΕΥΘΥΝΣΗ ΠΑΡΑΔΟΣΗΣ

ΟΝΟΜΑ: _____ ΔΙΕΥΘΥΝΣΗ: _____

ΤΑΧ. ΚΩΔΙΚΟΣ: _____ ΚΑΤΑΣΤΗΜΑ ΠΩΛΗΣΗΣ: _____

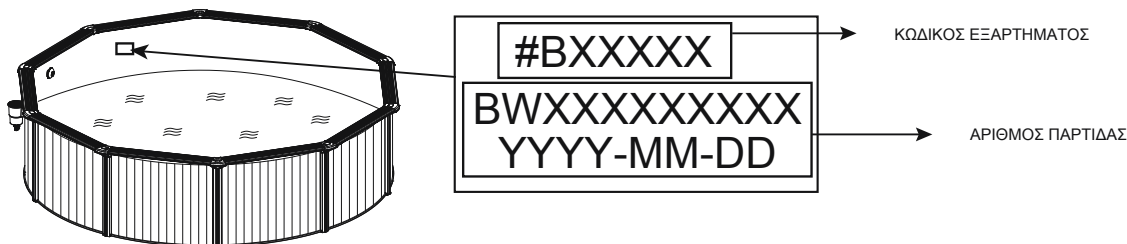
ΧΩΡΑ: _____ ΠΟΛΗ: _____

ΚΙΝΗΤΟ: _____ ΤΗΛΕΦΩΝΟ: _____

ΦΑΞ: _____ E-MAIL: _____

ΠΑΡΑΚΑΛΟΥΜΕ ΓΡΑΦΤΕ ΤΟΝ ΑΡΙΘΜΟ ΤΗΣ ΠΑΡΤΙΔΑΣ ΚΑΙ ΤΟΝ ΚΩΔΙΚΟ ΕΞΑΡΤΗΜΑΤΟΣ ΠΟΥ ΒΡΙΣΚΕΤΑΙ ΚΟΝΤΑ ΣΤΗ ΒΑΛΒΙΔΑ ΑΠΟΣΤΡΑΓΓΙΣΗΣ

ΑΡΙΘΜΟΣ ΠΑΡΤΙΔΑΣ: _____ ΚΩΔΙΚΟΣ ΕΞΑΡΤΗΜΑΤΟΣ: _____



ΠΕΡΙΓΡΑΦΗ ΠΡΟΒΛΗΜΑΤΟΣ

- ΣΚΙΣΙΜΟ ΣΤΟΙΧΕΙΟΥ / ΔΙΑΡΡΟΗ ΕΛΑΤΤΩΜΑΤΙΚΗ ΣΥΓΚΟΛΛΗΣΗ ΕΛΑΤΤΩΜΑΤΙΚΟΣ ΕΠΙΛΩ ΔΑΚΤΥΛΙΟΣ ΕΛΑΤΤΩΜΑΤΙΚΗ ΒΑΛΒΙΔΑ ΑΠΟΣΤΡΑΓΓΙΣΗΣ
- ΆΛΛΟ (ΠΑΡΑΚΑΛΟΥΜΕ ΠΕΡΙΓΡΑΦΤΕ) ΛΕΙΠΕΙ ΕΞΑΡΤΗΜΑ (ΠΑΡΑΚΑΛΟΥΜΕ ΧΡΗΣΙΜΟΠΟΙΗΣΤΕ ΤΟΝ ΚΩΔΙΚΟ ΓΙΑ ΤΟ ΕΞΑΡΤΗΜΑ ΠΟΥ ΛΕΙΠΕΙ. ΑΥΤΟΝ ΜΠΟΡΕΙΤΕ ΝΑ ΤΟΝ ΒΡΕΙΤΕ ΣΤΟ ΕΓΧΕΙΡΙΔΙΟ ΧΡΗΣΤΗ.)

ΣΗΜΑΝΤΙΚΟ: ΘΑ ΑΝΤΙΚΑΤΑΣΤΑΘΕΙ ΜΟΝΟ ΤΟ ΚΑΤΕΣΤΡΑΜΜΕΝΟ ΕΞΑΡΤΗΜΑ, ΟΧΙ ΤΟ ΠΛΗΡΕΣ ΣΕΤ

Η BESTWAY ΔΙΑΤΗΡΕΙ ΤΟ ΔΙΚΑΙΩΜΑ ΝΑ ΖΗΤΗΣΕΙ ΦΩΤΟΓΡΑΦΙΚΑ ΑΠΟΔΕΙΚΤΙΚΑ ΣΤΟΙΧΕΙΑ ΤΩΝ ΕΛΑΤΤΩΜΑΤΙΚΩΝ ΕΞΑΡΤΗΜΑΤΩΝ, Η ΝΑ ΑΠΑΙΤΗΣΕΙ ΤΗΝ ΑΠΟΣΤΟΛΗ ΤΟΥ ΕΞΑΡΤΗΜΑΤΟΣ ΓΙΑ ΠΡΟΣΘΕΤΕΣ ΔΟΚΙΜΕΣ. ΠΡΟΚΕΙΜΕΝΟΥ ΝΑ ΣΑΣ ΒΟΗΘΗΣΟΥΜΕ ΚΑΛΥΤΕΡΑ, ΖΗΤΑΜΕ ΟΛΕΣ ΟΙ ΠΛΗΡΟΦΟΡΙΕΣ ΠΟΥ ΠΑΡΕΧΕΤΕ ΝΑ ΕΙΝΑΙ ΠΛΗΡΕΙΣ.

ΓΙΑ ΣΥΧΝΕΣ ΕΡΩΤΗΣΕΙΣ, ΕΓΧΕΙΡΙΔΙΑ, ΒΙΝΤΕΟ Ή ΑΝΤΑΛΛΑΚΤΙΚΑ, ΠΑΡΑΚΑΛΟΥΜΕ ΕΠΙΣΚΕΦΘΕΙΤΕ ΤΗΝ ΙΣΤΟΣΕΛΙΔΑ ΜΑΣ: www.bestwaycorp.com
ΒΙΝΤΕΟ ΔΙΑΤΙΘΕΝΤΑΙ ΕΠΙΣΗΣ ΣΤΟ ΔΙΚΟ ΜΑΣ ΚΑΝΑΛΙ BESTWAY ΣΤΟ YOUTUBE: <http://youtube.com/user/BestwayService>.

Bestway®

Ограниченная гарантия производителя от компании BESTWAY®

На приобретенное вами изделие распространяется ограниченная гарантия. Компания Bestway® гарантирует качество изделия и отсутствие дефектов изготовления; в противном случае компания обязуется его заменить.

Следующие указания действительны только для стран-членов Европейского союза: Ограниченная гарантия BESTWAY не отменяет и не ограничивает действие положений директивы 1999/44/ЕС.

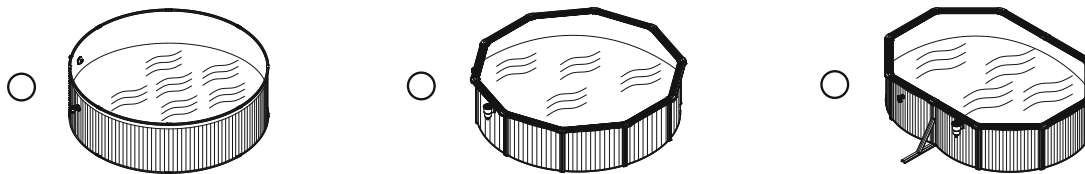
Для подачи гарантийной рекламации следует заполнить данную форму и вместе с копией товарного чека направить в местный центр послепродажного обслуживания компании Bestway. Прежде чем принимать рекламацию, центр послепродажного обслуживания Bestway может предложить вам направить деталь дефектного компонента в центр (например, вырезанный номер партии изделия/сливной клапан). Прежде чем направлять документы, просим обратиться в ближайший центр послепродажного обслуживания компании Bestway. Там вы получите полные инструкции о том, что необходимо для оформления претензии.

Компания Bestway® не несет ответственности за материальные потери, причиненные водой, а также за материальные траты на покупку химикатов. Компания Bestway® не выполняет замену изделий, дефекты которых вызваны небрежным обращением или несоблюдением рекомендаций, содержащихся в руководстве пользователя.

Гарантия Bestway распространяется на дефекты производства, обнаруженные при распаковке изделия или во время эксплуатации, в рамках эксплуатации при соблюдении требований, предостережений и указаний, содержащихся в руководстве пользователя. Данная гарантия распространяется только на изделия, которые не подвергались изменениям со стороны третьих сторон. Изделие следует хранить и эксплуатировать в соответствии с техническими рекомендациями.

Ограниченная гарантия действительна в срок, указанный выше. Датой вступления гарантии в силу является дата продажи, указанная на оригинале товарного чека/счета-фактуры.

Выберите тип вашего бассейна:



Дата покупки: _____ Номер кода клиента: _____

КОМУ: Bestway® Service Department Дата: _____

ФАКС/ЭЛЕКТРОННАЯ ПОЧТА/ТЕЛЕФОН: Используйте сведения для вашей страны, указанные на последней странице обложки или на нашем веб-сайте: www.bestwaycorp.com

Укажите ваш адрес полностью. **Примечание.** Неполный адрес может стать причиной задержки доставки.

Компания Bestway оставляет за собой право выставить счет за повторную пересылку посылок при неправильном указании отправителем адреса получателя.

НЕОБХОДИМАЯ ИНФОРМАЦИЯ – ВПИШИТЕ АДРЕС ДОСТАВКИ

Имя и фамилия: _____ Адрес: _____

Почтовый индекс: _____ Продавец: _____

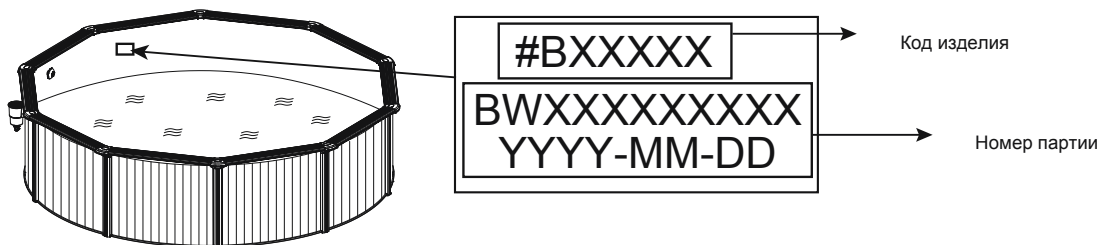
Страна: _____ Город: _____

Сотовый телефон: _____ Телефон: _____

Факс: _____ Эл.почта: _____

Укажите номер партии и код изделия, расположенные рядом со сливным клапаном

Номер партии: _____ Код изделия: _____



Описание неисправности

- Изделие порвано/протекает Дефекты сварки Дефекты верхнего кольца Дефекты сливного клапана
- Другое (Просим описать) Отсутствующая деталь (Просим указать код отсутствующей детали. Его можно найти в руководстве пользователя.)

ВАЖНО: БУДЕТ ВЫПОЛНЕНА ЗАМЕНА ТОЛЬКО ПОВРЕЖДЕННОГО КОМПОНЕНТА, А НЕ ВСЕГО КОМПЛЕКТА.

Компания Bestway оставляет за собой право запросить фотографические свидетельства дефектных компонентов либо потребовать выслать компонент для дополнительного тестирования. В целях оказания вам максимальной помощи просим предоставлять полную информацию.

ЧТОБЫ ОЗНАКОМИТЬСЯ С РАЗДЕЛОМ ЧАСТО ЗАДАВАЕМЫХ ВОПРОСОВ, ПОСМОТРЕТЬ ВИДЕО ИЛИ ЗАКАЗАТЬ ЗАПАСНЫЕ ЧАСТИ ИЗДЕЛИЙ, ПОСЕТИТЕ НАШ ВЕБ-САЙТ www.bestwaycorp.com
ВИДЕОРОЛИКИ ДОСТУПНЫ ТАКЖЕ НА НАШЕМ КАНАЛЕ BESTWAY НА YOUTUBE. <http://youtube.com/user/BestwayService>.

Ograniczona gwarancja producenta BESTWAY®

Zakupiony przez Państwa produkt jest objęty ograniczoną gwarancją. Bestway® stoi za naszą gwarancją jakości i dzięki gwarancji wymiany zapewnia, że produkt jest wolny od wad fabrycznych.

Poniższy przepis obowiązuje tylko w krajach członkowskich Unii Europejskiej: Niniejsza ograniczona gwarancja Bestway nie wyłącza, nie ogranicza ani nie zawiesza postanowień dyrektywy 1999/44/WE.

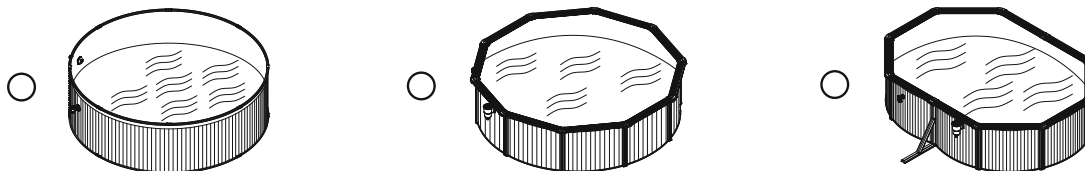
W celu złożenia zgłoszenia gwarancyjnego należy dostarczyć do centrum serwisowego Bestway poniższy, wypełniony formularz oraz kopię paragonu/dowodu zakupu. Przed uwzględnieniem wszelkich roszczeń centrum serwisowe Bestway może poprosić o wysłanie części uszkodzonego elementu do centrum (np. wycinka z numerem produkcyjnym partii/zaworu spustowego). Przed wysłaniem jakichkolwiek dokumentów prosimy o kontakt z lokalnym centrum obsługi klienta. Uzyskają Państwo w ten sposób pełną instrukcję dotyczącą wszystkich wymogów dotyczących reklamacji.

Bestway® nie ponosi odpowiedzialności za straty ekonomiczne spowodowane kosztami rachunków za wodę lub środki chemiczne. Bestway® nie wymieni produktów, które uzna za zaniedbane lub użyte w sposób niezgodny z zaleceniami zamieszczonymi w instrukcji obsługi.

Gwarancja Bestway obejmuje wady fabryczne odkryte podczas rozpakowywania produktu lub podczas jego użytkowania, w granicach użytkowych, z przestrzeganiem ostrzeżeń i zaleceń podanych w instrukcji obsługi. Gwarancja odnosi się wyłącznie do produktów niemodyfikowanych przez strony trzecie. Produkt musi być przechowywany i obsługiwany zgodnie z zaleceniami technicznymi.

Ograniczona gwarancja jest ważna przez okres wskazany powyżej. Termin rozpoczęcia gwarancji stanowi data sprzedaży wskazana na oryginalnym paragonie/fakturze zakupu.

Proszę wybrać rodzaj basenu:



Data zakupu: _____ Kod klienta: _____

DO: Dział Obsługi Bestway® Data: _____

FAKS/E-MAIL/TEL: Prosimy o wybranie właściwego kraju na podstawie informacji znajdujących się na tylnej okładce lub na naszej stronie internetowej: www.bestwaycorp.com
Prosimy o podanie dokładnych danych adresowych. **Uwaga:** Niepełne dane adresowe mogą powodować opóźnienia w przesyłkach.
Bestway zastrzega sobie prawo do obciążenia adresata kosztami ponownej dostawy przesyłek, jeśli dostawa została uniemożliwiona z winy odbiorcy.

WYMAGANE INFORMACJE — PROSIMY O WPISANIE ADRESU DOSTAWY

Nazwisko: _____ Adres: _____

Kod pocztowy: _____ Dostawca: _____

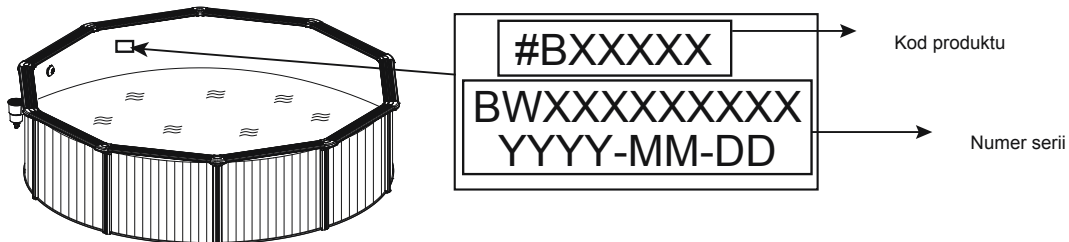
Kraj: _____ Miasto: _____

Telefon komórkowy: _____ Telefon: _____

Fax: _____ E-mail: _____

Proszę wpisać numer serii i kod produktu znajdujący się w pobliżu odpływu

Numer serii: _____ Kod produktu: _____



Opis problemu

- Element jest rozdarty/przebiegi Uszkodzony zgrzew Uszkodzony pierścień górny Uszkodzony zawór odpływu
- Inne (prosimy opisać) Brakująca część (prosimy wpisać kod brakującej części; można go znaleźć w instrukcji obsługi)

WAŻNE: ZOSTANIE WYMIENIONY TYLKO ZNISZCZONY ELEMENT, NIE CAŁY ZESTAW.

Bestway zastrzega sobie prawo do zażądania fotograficznych dowodów na wadliwość części lub do zażądania zwrotu uszkodzonego elementu w celu przeprowadzenia dodatkowych testów. Do zapewnienia Państwu lepszego wsparcia potrzebujemy kompletnych informacji.

W CELU ZAPOZNANIA SIĘ Z NAJCZĘŚCIEJ ZADAWANYMI PYTANIAMI, INSTRUKCJAMI OBSŁUGI, FILMAMI LUB W CELU ZAKUPU CZĘŚCI ZAMIENNYCH PROSIMY ODWIEDZIĆ NASZĄ STRONĘ INTERNETOWĄ: www.bestwaycorp.com
FILMY DOSTĘPNE SĄ RÓWNIEŻ W NASZYM KANALE BESTWAY NA YOU TUBE: <http://youtube.com/user/BestwayService>.

Bestway®

Korlátozott BESTWAY® gyártói garancia

A vásárolt termékhez korlátozott garancia jár. A Bestway® áll a minőségi garanciák mögött és cseregaranciájával biztosítja, hogy a terméke minden gyártói hibától mentes lesz.

Az alábbi rendelkezés csak az Európai Unió tagállamaira vonatkozik. Az 1999/44/EK irányelv jogi rendelkezéseire nincs hatással a jelen BESTWAY korlátozott garancia.

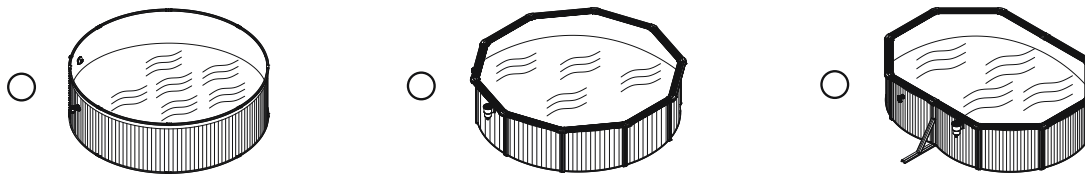
A garanciaigény érvényesítéséhez ezt az űrlapot ki kell tölteni, és a vásárlási bizonylat másolatával együtt át kell adni a Bestway ügyfélszolgálatának. Előfordulhat, hogy a garanciaigény elfogadásához a Bestway ügyfélszolgálat a hibás alkatrész egy darabjának (pl. kivágott gyártási sorozatszám / leeresztőszelep) elküldésére fogja Önt kérni. Kérjük, mindenfajta dokumentum elküldése előtt vegye fel a kapcsolatot a Bestway ügyfélszolgálatával. Tőlük mindent megtudhat arról, hogy a garanciaigény érvényesítéséhez mi szükséges.

A Bestway® nem felelős a vízzel vagy a vegyszerekkel kapcsolatos anyagi kiadások jelentette pénzügyi veszteségért. A Bestway® nem cserél olyan termékeket, melyekről úgy ítéli meg, hogy hanyagság vagy a használati útmutatóban leirtaktól eltérő használat miatt sérült meg.

A Bestway garancia a termék kicsomagolásakor vagy a terméknek a használati útmutatóban közölt korlátozások, figyelmeztetések és utasítások betartása melletti használatokor felfedezett gyártási hibákra terjed ki. Ez a garancia csak 3. fél által nem módosított termékekre vonatkozik. A terméket a műszaki ajánlásoknak megfelelően kell tárolni és kezelni.

A korlátozott garancia a fent jelzett időszakra érvényes. A garancia kezdetének időpontja az eredeti vásárlást igazoló bizonylaton lévő dátum.

Válassza ki medencéje típusát:



Vásárlás napja: _____ Ügyfélkód száma: _____

CÍMZETT: Bestway® Service Department Dátum: _____

FAX/E-MAIL/TEL.: Kérjük, a dokumentum hátoldalán vagy a weboldalunkon keresse meg az Ön országára vonatkozó adatokat: www.bestwaycorp.com
Kérjük, adja meg teljes címét. **Megjegyzés:** Ha nem a teljes címét adja meg, a szállítmány késedelmesen fog megérkezni.
A Bestway fenntartja a jogot, hogy a fogadó fél hibájából kézbesítetlen csomagok újraküldéséért díjat számoljon föl.

SZÜKSÉGES ADATOK – ADJA MEG A SZÁLLÍTÁSI CÍMET

Név: _____ Cím: _____

Irányítószám: _____ Kereskedő: _____

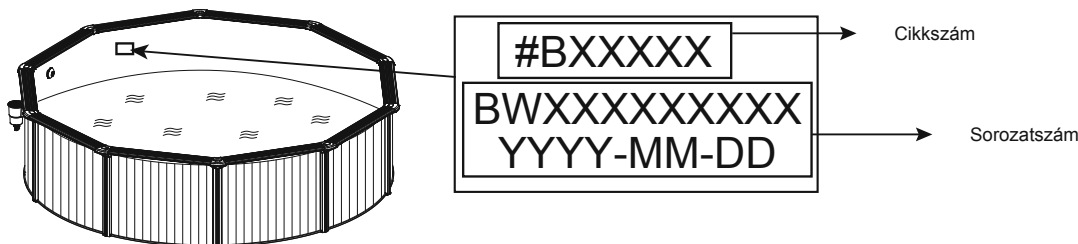
Ország: _____ Város: _____

Mobil: _____ Telefonszám: _____

Fax: _____ E-mail: _____

Jegyezze fel a leeresztőszelep mellett elhelyezett gyártási sorozatszámot és cikkszámot.

Sorozatszám: _____ Cikkszám: _____



Probléma leírása

- Elszakadt / szivárog Hibás hegesztés Hibás felső gyűrű Hibás leeresztő szelep
 Egyéb (Kérjük, írja le.) Hiányzó alkatrész (Kérjük, adja meg a hiányzó alkatrész kódját. Ezt a kezelési útmutatóban találja.)

FONTOS: CSAK A SÉRÜLT ALKATRÉSZ LESZ KICSERÉLVE, NEM A TELJES KÉSZÜLÉK.

A Bestway fenntartja a jogot, hogy fényképes bizonyítékot kérjen a hibás alkatrészekről, illetve bekérheti az alkatrészt további tesztelésre. Az Ön minél jobb kiszolgálása érdekében arra kérjük, hogy minden Ön által adott információ teljes legyen.

GY.I.K., ÚTMUTATÓK, VIDEÓK VAGY CSEREALKATRÉSZEK A WEBOLDALUNKON: www.bestwaycorp.com
VIDEÓKAT A BESTWAY YOUTUBE CSATORNÁJÁN IS TALÁL: <http://youtube.com/user/BestwayService>.

Bestway®

Begränsad BESTWAY® tillverkargaranti

Produkten du har köpt levereras med en begränsad garanti. Bestway® står bakom sin kvalitetsgaranti och försäkrar, genom en utbytesgaranti, att din produkt kommer att vara fri från tillverkningsfel.

Följande villkor gäller enbart för länder i EU: Den rättsliga regleringen i direktiv 1999/44/EC berörs ej av BESTWAYs garanti.

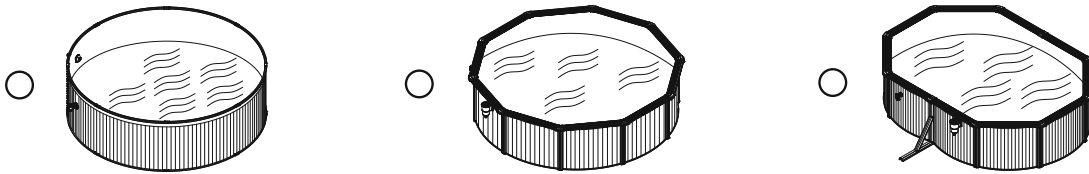
För att göra ett garantianspråk måste detta formulär fyllas i och skickas in med en kopia av ditt inköpskvitto till ditt lokala Bestway-servicecenter. Innan eventuella krav kan godtas, kan Bestway-servicecenter be dig att skicka en bit av den defekta delen till centret (t.ex. en utskärning av produktionsbatchnummer / dräneringsventil). Ta kontakt med din lokala Bestway-servicecenter för instruktioner innan några dokument skickas. De kommer att ge dig instruktioner om vad du behöver för ditt anspråk.

Bestway® ansvarar inte för ekonomiska förluster på grund av vatten- eller kemikaliekostnader. Bestway® kommer inte att ersätta några produkter som anses ha skadats på grund av försummelse eller ha använts utanför ägarhandledningens riktlinjer.

Bestway garanti täcker tillverkningsfel som upptäcks vid uppäckning av produkten eller under användning, inom ramen för användning och respekt för varningar och anvisningar i bruksanvisningen. Den här garantin gäller endast produkter som inte har ändrats av någon tredje part. Produkten måste lagras och hanteras i enlighet med tekniska rekommendationer.

Garantin är giltig för den period som anges ovan. Garantins startdatum är det försäljningsdatum som visas på originalkvittot / inköpskvittot.

Vänligen välj din typ av pool:



Inköpsdatum: _____ Kundnummer: _____

TILL: Bestway® Service Department Datum: _____

FAX/E-POST/TEL: Se ditt land enligt den information du hittar på baksidan eller på vår hemsida: www.bestwaycorp.com
Ange dina fullständiga adressuppgifter. **OBS!** Ofullständiga adressuppgifter kommer att leda till försenade leveranser.
Bestway förbehåller sig rätten att ta betalt för återleverans av olevererade paket där felet ligger hos mottagaren.

OBLIGATORISKA UPPGIFTER – SKRIV LEVERANSADRESS

Namn: _____ Adress: _____

Postnummer: _____ Återförsäljare: _____

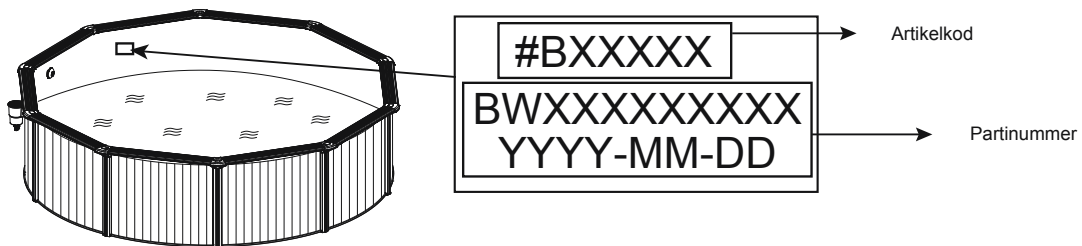
Land: _____ Stad: _____

Mobiltelefonnummer: _____ Telefonnummer: _____

Fax: _____ E-post: _____

Var vänlig och fyll i partinummer och artikelkod som finns bredvid tömningsventilen

Partinummer: _____ Artikelkod: _____



Problembeskrivning

- Objektet är trasigt/läcker Fel i fogar Felaktig övre ring Fel på tömningsventil
- Annat (vänligen beskriv vad) Saknade delar (Använd koden för den saknade delen. Den du hittar i manualen.)

VIKTIGT: ENDAST SKADADE DELAR KOMMER ATT ERSÄTTAS, INTE HELA PAKETET.

Bestway förbehåller sig rätten att kräva fotografiskt bevis för defekta delar eller att kräva att föremålet skickas för testning.
För att kunna hjälpa dig på bästa sätt ber vi dig att se till att alla uppgifter du anger är kompletta.

FÖR FAQ, MANUALER, FILMER OCH RESERVDELAR, BESÖK VÅR HEMSIDA: www.bestwaycorp.com
FILMER FINNS ÄVEN TILLGÄNGLIGA PÅ VÅR BESTWAY-KANAL PÅ YOUTUBE: <http://youtube.com/user/BestwayService>.

Bestway®

